

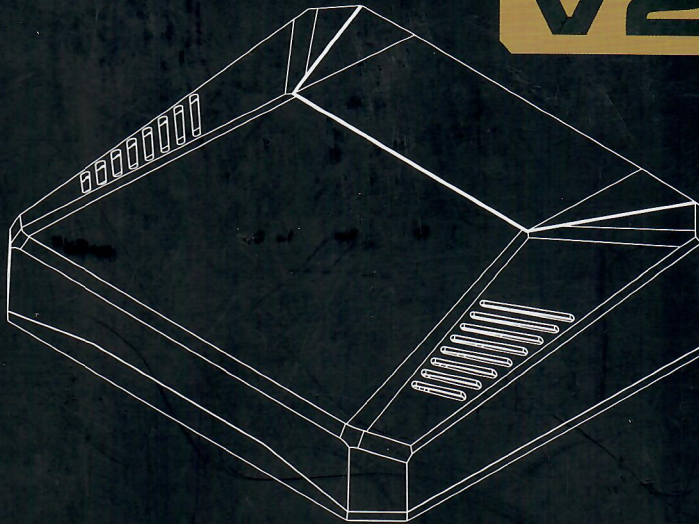
CUSTOM MADE BY YOU

V2
Pi 4

Argon ONE

Argon ONE

Pi 4
V2



DRINK YOUR VITAMINS

WT

WT

EC/REP
Name: Sa&Mew Consulting
Address:
97 Avenue d'Alfortville 94500 Choisy-le-Roi
Contact person: Sylla Gado
Email: info@seamew.de

Pi 4
V2

WT

Manufacturer
Company Name:
Shanghai Xinxu Dianzi Kaifayuan Gongsi
Address:
Room D268, Floor 2, Building 3, NO.2116
Guanghua Road, Minhang District
Shanghai, 201111, China



Importer
Company Name:
Shanghai Xinxu Dianzi Kaifayuan Gongsi
Address:
Room D268, Floor 2, Building 3, NO.2116
Guanghua Road, Minhang District
Shanghai, 201111, China

AS1

Pi 4 V2

Argon ONE



PRODUCT FEATURES:

- 2 Standard (Type A) HDMI Ports
- Aluminum Alloy Top for Passive Cooling
- Programmable 30 mm Fan
- Programmable IR Receiver
- Clean Power Shutdown
- Multi-function Power Button
- Power Management Modes (with Always ON)
- Magnetic Top Access to GPIO Pins
- Color Coded GPIO Pins
- Easy Installation

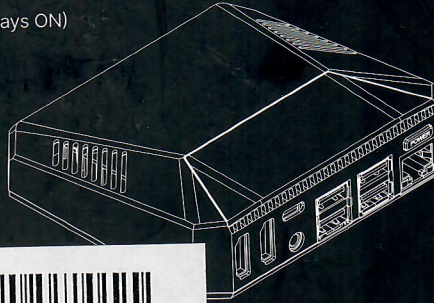
COMPATIBILITY:

Raspberry Pi 4

MODEL #: A20-001 AR-ONE-Pi4V2

BOX CONTENTS:

- Argon ONE Pi 4 V2 Case
- Instruction Manual
- Video / Audio PCB Extender
- GPIO - Fan PCB HAT
- Silicon Thermal Pads



X001DW2JD3

Argon ONE Case f ù r Raspberry Pi 4
新品

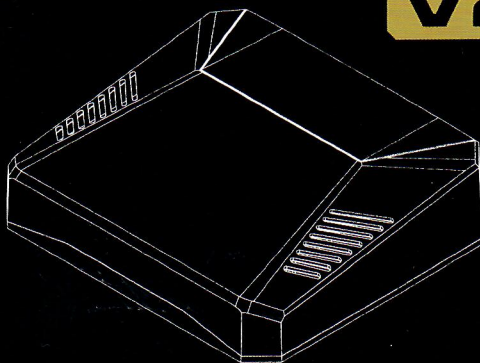


Manufactured by Argon40 | Made in China

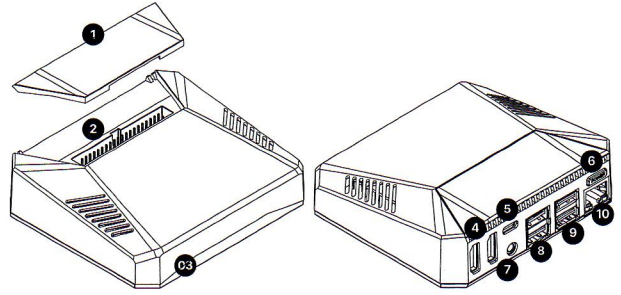
www.argon40.com

Argon ONE

Pi 4
V2



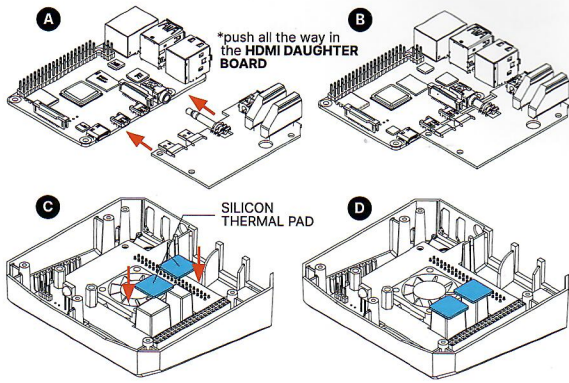
ARGON ONE PI 4 V2 PARTS



- 1 Magnetic Removable Top Cover
- 2 40 Pin GPIO Access
- 3 SD Card Slot
- 4 2 x Full HDMI
- 5 USB-C Power In
- 6 Power Button
- 7 Audio Out
- 8 2 x USB 2.0
- 9 2 x USB 3.0
- 10 Gigabit Ethernet

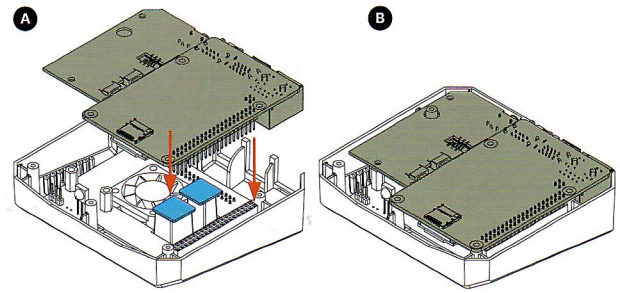
ASSEMBLY INSTRUCTIONS

- 1 Connect Raspberry Pi to HDMI-Audio Board and stick Silicon Thermal Pads.

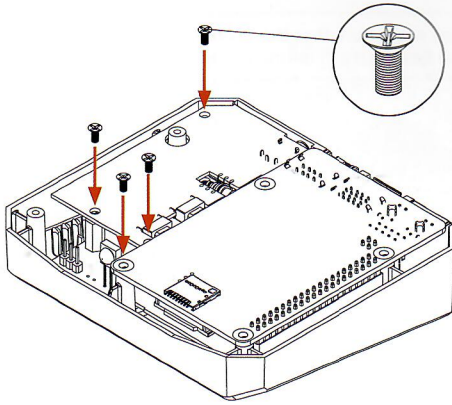


- 2 Carefully connect Raspberry Pi GPIO to Power and Cooling Board. Press POWER ON button to start.

Please make sure that the microSD Card is NOT inserted to the Raspberry Pi during assembly.



3 Use shorter flat head screws to fasten Raspberry Pi and HDMI Board assembly to top case.

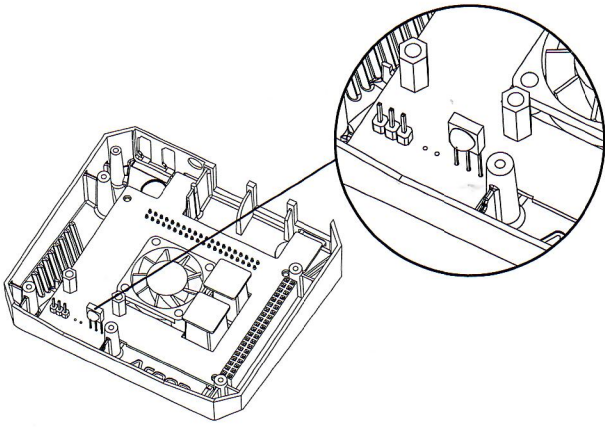


4 Select the Argon ONE Power Button Management Mode:

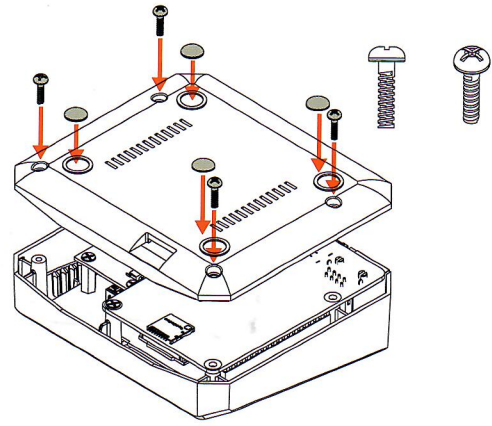
JUMPER PIN SETTING	MODE	BEHAVIOUR
Pin 1-2	Default Setting (Mode 1)	You need to PRESS button to Power ON from shutdown or power outage.
Pin 2-3	Always ON (Mode 2)	Power current will flow directly to Raspberry Pi. NO need to PRESS button to power ON from power outage

see Next Page

ARGON ONE PI 4 V2 JUMPER PIN SETTING



5 Use longer **round head screws** to fasten bottom cover and place **rubber footings**.



HOW TO INSTALL ARGON ONE PI 4 V2 POWER BUTTON & FAN CONTROL

Coding **Maker**
Alert

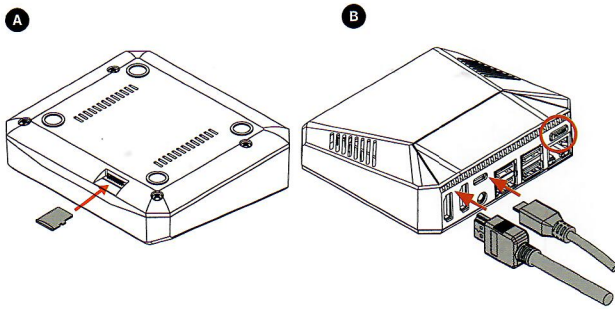
1. Connect to the internet.
2. Open "Terminal" in Raspbian.
3. Type the text below in the "Terminal" to initiate installation of **Argon ONE PI 4** script.

```
curl https://download.argon40.com/argon1.sh | bash
```

4. Reboot.

6. Insert SD Card in SD Card slot. Plug HDMI and Power Supply.

Don't forget to PRESS Power Button to TURN ON



ARGON ONE PI 4 V2 POWER BUTTON FUNCTIONS

The process above will automatically install the configuration that will activate the **Argon ONE Pi 4** Power Button with the following functions.

ARGON ONE PI 4 STATE	ACTION	FUNCTION
OFF	Short Press	Turn ON
ON	Long Press (>= 3 s)	Soft Shutdown and Power Cut
ON	Short press (<3 s)	Nothing
ON	Double tap	Reboot
ON	Long Press (>= 5 s)	Forced Shutdown

ARGON ONE PI 4 V2 FAN SPEED

Upon installation of the **Argon ONE Pi 4** script by default, the settings of the **Argon ONE Pi 4** cooling system are as follows:

CPU TEMP	FAN POWER
55 C	10%
60 C	55%
65 C	100%



However, you may change or configure the FAN to your desired settings by clicking the Argon ONE Pi 4 Config icon on your Desktop.

Or via "Terminal" by typing and following the specified format:

```
argonone-config
```

ARGON ONE PI 4 V2 POWER BUTTON FUNCTIONS

The process above will automatically install the configuration that will activate the **Argon ONE Pi 4** Power Button with the following functions.

ARGON ONE Pi 4 STATE	ACTION	FUNCTION
OFF	Short Press	Turn ON
ON	Long Press (>= 3 s)	Soft Shutdown and Power Cut
ON	Short press (<3 s)	Nothing
ON	Double tap	Reboot
ON	Long Press (>= 5 s)	Forced Shutdown

ARGON ONE PI 4 V2 FAN SPEED

Upon installation of the **Argon ONE Pi 4** script by default, the settings of the **Argon ONE Pi 4** cooling system are as follows:

CPU TEMP	FAN POWER
55 C	10%
60 C	55%
65 C	100%



However, you may change or configure the FAN to your desired settings by clicking the Argon ONE Pi 4 Config icon on your Desktop.

Or via "Terminal" by typing and following the specified format:

```
argonone-config
```

UNINSTALLING ARGON ONE PI 4 V2 SCRIPT

To uninstall the **Argon ONE Pi 4** script you may do so by clicking the **Argon ONE Pi 4 Uninstall** icon on your Desktop.

You may also remove the script via "Terminal" by typing:

```
argonone-uninstall
```

Always reboot after changing any configuration or uninstallation for the revised settings to take effect.

BUILT-IN INFRARED RECEIVER

The latest version has a programmable Infrared Receiver installed that can turn ON and OFF the device using the proprietary Argon 40 remote.

To configure the **Infrared Receiver ON/OFF signal of Argon ONE V2 and M.2** type in the Terminal App:

```
argonone-ir
```

Then follow the instructions indicated.

For more information please visit:
<https://www.argon40.com/learn/>

cs@argon40.com | www.argon40.com