

**SYM-1 SINGLE BOARD COMPUTER**

**HARDWARE**

**THEORY OF OPERATIONS**

**MANUAL**

**By Robert A. Peck**

**Copyright 1979  
Robert A. Peck  
All Rights Reserved**

**Sym-1 is a trademark  
Of**

**Synertek Systems Corporation**

## TABLE OF CONTENTS

|  |    |
|--|----|
| An Overview .....                              | 1  |
| Power-On Reset .....                           | 2  |
| Addressing of the Monitor RAM .....            | 4  |
| IC Function Tables .....                       | 6  |
| Addressing Space Allocations (as delivered)... | 14 |
| Memory MAP .....                               | 16 |
| Adding More 6522's .....                       | 17 |
| Appendix 1 (IC Interconnect Cross Ref.).....   | 18 |
| Appendix 2 (Signal Name Cross Ref.) .....      | 30 |
| Appendix 3 (SYM-1 Schematic Design) .....      | 38 |

## ACKNOWLEDGEMENTS

I wish to thank Synertek Systems Corporation for their support of this project including their permission to include the SYM-1 schematic in this book.

## Introduction -

The SYM-1 Microcomputer is a well-organized unit having many unique features. The instruction manuals provided with it are certainly helpful in getting to know how to use the unit, however for the user with homebrew expansion on his mind or the OEM manufacturer adding the SYM to their systems, there seemed to be something missing. That needed item is hopefully provided here. It is intended to be a line-by-line, gate-by-gate theory of operations manual for the SYM-1 single board computer. The primary emphasis is on the digital functions.

It is intended to serve as a trouble shooting reference as well as a basis on which additional features could be added to the SYM. Various items contained herein are also covered in the SYM Reference Manual, but the viewpoint or approach here may differ. From this combination of available information, the user may gain a better understanding of the unit and thereby a greater degree of usefulness.

If the user of this manual has any questions about the SYM which have not been covered here, I will attempt to provide an answer. Suggestions for additions or changes to this manual would also be welcomed. If you desire a written response, please send your questions or comments along with a self-addressed stamped envelope to the address below.

For those SYM owners who need introductory software, I also offer the SYM/KIM Appendix. Send a self-addressed stamped envelope for a free reprint of the description printed in the December 1979 issue of MICRO magazine.

Robert A. Peck  
P.O.Box 2231  
Sunnyvale, Ca. 94087

P.S.

The SYM-1 Monitor Theory of Operations Manual is in process and should be ready in March, 1980. It contains a description of the SYM monitor routines supplementing the monitor listings currently in the SYM Reference Manual. It consists of a set of flow narratives for each of the monitor routines to enable the user to understand the way each subroutine is used. From a thorough knowledge of the monitor, one might save time by using more of its routines in other programs. Write for price details.

## AN OVERVIEW

Since the power of the SYM-1 is derived not only by the basic hardware features which it employs, but also from the functions provided by the monitor, it seems appropriate to start an indepth analysis of the unit by examining the circuitry which controls the monitor, and how we get there in the first place.

The monitor circuit is contained in a 2332 ROM (4k by 8) located in socket U20 on the board. Further ROM space, for easy expandability, is provided in prewired sockets U21, U22, and U23. Each of these can be configured to accept a 2716, 2316B, 2332 or 2364 ROM at a future date. The address decoding and socket reconfiguration can all be accomplished by removal and repositioning of small wire jumpers strategically placed on the board so that no cutting of circuit board traces would be required to change the system.

Because of the types of ROM sockets already provided on the board, and their possible configurations, one might conceive the possibility of eventually adding four 2364 type ROM's on the board for a total of 32K by 8 of ROM continuously online. This possibility is not too far-fetched at this time considering the current offerings by Synertek Systems Corp. Specifically, the current monitor ROM is a 4K by 8 unit, and an eventual expansion to an 8K by 8 monitor is planned.

In addition to the monitor, also offered is a Microsoft 8K basic on a pair of 4K ROM's and a resident editor assembler on a single 2364 or a pair of 2332 ROM's occupying another 8K of memory space. So even now we can fill the empty sockets with presently available firmware preconfigured for the unit, bringing it close to its total onboard capacity with ease. (One might decide to resort to some form of piggy-back arrangement to preserve the very last ROM socket for separate use later, but thats up to the user to decide).

Address decoding for all of the memory comprising the upper 32K block of the memory space is provided by a pair of 74LS145 BCD-Decimal Decoders. These are specified as U10 and U11. The five high order address lines (A15-A11) are decoded here. Each one of the open-collector outputs of the decoders (with exception of outputs 8 and 9) is used as the active-low chip select line, either for the ROM's or for the system-dedicated RAM or I/O devices, all of which will be discussed later.

One additional level of logic is used in the production of the chip select for the ROM sockets, and that is a 7408 Quad-AND gate. The output of each of these gates is dedicated to controlling the chip select lines for each of the 4 ROM's designated U20-23. The reason for this extra logic is to take care of the power-on reset jump into the monitor circuit. This is a separate subject and the following section is dedicated entirely to the power-on reset function.

### POWER-ON RESET

The monitor circuit has been written to occupy the memory space from 8000-8FFF (hex) with future versions potentially going from 8000-9FFF. At the time of power-up, the 6502 automatically puts FFFC onto the address bus to retrieve the low order byte of the reset routine address. Then it puts out FFFD onto the address bus to retrieve the high order byte of the reset routine. Next, this routine address is assembled internally and is put out onto the address bus to retrieve the first op code of the reset routine. At this time the reset routine address becomes the contents of the program counter. The address found during the initial reset sequence is 8B4A. Since this is in the monitor circuit, the monitor chip is selected. The reset routine could now proceed normally.

To access this data, since there is no ROM physically located at this address range, (FFFC,FFFD) some means must be used to provide the processor with the start address of the reset routine. This is accomplished by the presence of the active-low POR signal which is gated through U24 to form the chip select for the socket U20 which contains the monitor ROM. This allows us to retrieve the reset vector from actual locations 8FFC and 8FFD instead of FFFC and FFFD. The reset vector obtained is 8B4A, which is one of the addresses in the monitor ROM itself. Since this address in the program counter will cause the continued selection of the monitor ROM (thru pin 10 of U24) there is no further need for the  $\overline{\text{POR}}$  signal to be on pin 9 of U24. Output 1 or 2 of U10 will, at this point, maintain the chip select for U20 as it represents an active low 8xxx signal.

Since the  $\overline{\text{POR}}$  signal is no longer useful, we have to get rid of it. In fact, if it always stays active, we will always be selecting the monitor ROM even though we are trying to access another memory location as well. The  $\overline{\text{POR}}$  line went active (low) in the first place when the RES pulse was received by 6522 #1. This action caused all of the internal registers to be set to zero. This caused the CA2 line (pin 39) to go high. This signal is combined with the  $\overline{\text{AAO}}$  signal from U10 in one of the NAND gates of U8 to form  $\overline{\text{POR}}$  in its active low state. At power-up, memory page A0xx is not selected, so  $\overline{\text{AAO}}$  will be high.

At monitor location, 8B4A, the sequence of events is first to initialize the stack pointer to a value of FF and then to immediately store a value of CC into memory location A00C. This had two specific actions. One, the presence of A00C on the address lines forces line  $\overline{\text{AAO}}$  to go low. This, through the U8 NAND gate, forces the  $\overline{\text{POR}}$  signal to go high. Then when the data storage is completed, since A00C represents the location which controls the CA2 output, the data CC into that location forces the CA2 line to be held low. This in turn, again through U8, maintains  $\overline{\text{POR}}$  in a disabled (high) state.

At this point, then, the program counter will still contain an address within the monitor circuits, so the program will continue normally in the absence of the  $\overline{\text{POR}}$  signal.

While we're on the subject of the power-on reset, the  $\overline{\text{POR}}$  signal serves one more useful purpose. In the SYM monitor the 128 bytes of RAM located within the 6532 device is initialized to hold a copy of the last 128 bytes of the monitor ROM itself. This includes the addresses required by the monitor vectors and such addresses as the reset routine, the  $\overline{\text{IRQ}}$  routine,  $\overline{\text{NMI}}$  routine and so forth. These are copied from the monitor ROM during the power-on reset sequence. Because this is a RAM area (A600-A67F), the user may change the monitor to vector to a user-selected address instead of the monitor selected address during the execution of various monitor routines.

After the  $\overline{\text{POR}}$  has been disabled, access to locations F8xx-FFFF will cause a selection of the monitor RAM circuit. The selection is accomplished when address decoder U11 applies a chip select to 6532, effectively translating address FFFF into A67F, FFFE into A67E and so forth. If we wanted to use a different

IRQ routine, we would substitute our routine address into locations A678 and A679 in place of the monitor IRQ routine address which is currently 800F.

During the power-up sequence, we are actually enabling the monitor ROM, and already doing a translation from FFFC to 8FFC for example, we must therefore inhibit the selection of the monitor RAM during the power up sequence. Therefore, the POR signal is used as a gating signal into U7 (74LS10) to prevent the F8xx line from becoming active.

### Addressing of the Monitor RAM

There may be some desire on the part of the user to avoid having the monitor RAM accessible at the upper addresses of the memory space. Therefore, a jumper has been provided at the intersection of the points U and 22. This may be removed, disabling this function. By removing the jumper, it enables the user to install 2K of RAM in the memory space within the range of F800-FFFF. The chip select for this memory will be derived from the F8 line of the U11 decoder.

One of the reasons for considering adding the 2K of RAM at this location rather than allowing access of the system RAM here might be the need to squeeze in additional memory space wherever available for larger systems. Specifically the use of the F8 decode as an alternate access point for the system RAM is an excellent idea for the basic SYM as delivered, however, it uses up the entire upper 2K memory space with only 128 bytes of RAM.

To explain this further, the F8 decode is taken to mean any address greater than or equal to F800. This allows the monitor RAM to respond with its contents not only at FF80-FFFF, but also at F800-F87F, F880-F8FF and 13 other address ranges in 128 byte increments from F900-FF7F. This multiple address accessibility is caused by the use of only seven address lines (A0-A6) along with the F8 decode in the selection of this RAM area. This is known as "don't care" addressing, where it doesn't matter whether the unused address bits are high or low, since there is no other memory space utilized in the selected range.

There are other areas where limited address decoding has been used to simplify the construction of the SYM, and these items are shown in a separate table. If one decided to add extra RAM or I/O to the system, this table will indicate where additional address decoding will be required.

Before leaving the subject of the F800-FFFF address area, the use of FFFA thru FFFF must be mentioned. Specifically these addresses contain the  $\overline{\text{NMI}}$ ,  $\overline{\text{RST}}$  and  $\overline{\text{IRQ}}$  vectors. If we disable the access to the monitor RAM by removing the U to 22 jumper, we lose access to these vectors located at A67A-A67F. Therefore, if we do add the memory as noted above (2K from F800-FFFF), we must also add a routine to our extended monitor to initialize FFFA-FFFF the same as A67A-A67F. This will maintain compatibility with existing SYM software.

Now that we've got the power-on reset sequence down, lets begin the next section taking a look at the functions of each IC in detail. This is done in a tabular fashion for convenience.



| <u>I.C. No.</u> | <u>Type</u> | <u>FUNCTION PROVIDED</u>  |
|-----------------|-------------|---|
| U1              | 74LS138     | Provides decoding for the lowest 8K of the address space. Decoding is accomplished in 1K increments so that each of the 8 outputs (active low) can serve as a chip select enable line for a pair of 2114 static memory chips. This chip is enabled by the combination of address lines A15, A14, and A13 entering one segment of U3. Only when all three lines A15, A14, and A13 are low is pin 12 of U3 high. Line 12 of U3 is used as the active-high enable input of U1, which defines this chip as a decoder for the lowest 8K of the memory space. Address lines A10, A11, and A12, then, select which 1K of the lowest 8K is being selected. Schematic location: F-7  |
| U2              | 7404        | Hex inverter, provides buffer functions at pin 34 of the 6502 and signal inversion elsewhere. Schematic location: F-7, E-7(2), D-7(2)   |
| U3              | 74LS27      | Triple 3-input NOR<br>One section provides address space segmentation as noted in the section on U1 above. Section two provides the write enable signal for all RAM in the system by combination of the phase 2 and the RW signals. This signal on U3 pin 8 is inverted and buffered by one section of U2. Section three of this IC inverts and converts to TTL levels the output of the Reset one-shot timer U6. Schematic location: F-7(2), E-7   |
| U4              | 74LS00      | Quad 2-input NAND<br>Section 1 is used as an enable input for IC U10. See U10 section for further details. Sections 2, 3, and 4 are used for write protect of the first, second and third 1K of memory beyond the initial 1K. The active high write signal output of U3 pin 8 is <u>combined with the active low write protect signals WP1K, WP2K, WP3K</u> . If both <u>WPnK</u> signal and the WRITE signal are high, the output of the respective NAND will be low, forming an active low write-enable for that memory area. <u>WP1K</u> refers to the memory 0400-07FF, <u>WP2K</u> to 0800-0BFF, and <u>WP3K</u> protects 0C00-0FFF. Schematic locations: F-7(3), B-8. |

| <u>I.C. No.</u> | <u>Type</u> | <u>FUNCTION PROVIDED</u>  |
|-----------------|-------------|---|
| U5              | 6502        | The CPU chip, refer to the SYM reference manual for complete data sheets and the SYM Hardware Manual for other details.   |
| U6              | 555         | Programmable timer. Set up as a one-shot multivibrator. Debounces the reset switch. Provides the appropriate rise-time for the reset function on the PCU and peripheral chips thru connection to U3.  |
| U7              | 74LS10      | Triple 3-input NAND<br>Section 1 serves to produce the enable signal for the output of U11. Specifically output pin 12 is connected to the D input of U11. See description of U10 and U11 for further details of the use of this line as an enable. Section 2 combines the line A9, the read-write signal and the write-protect-monitor signal into a write-enable line for U27, which contains the monitor RAM. Section 3 combines the signals DBUG-ON (DBOUT) Not-Monitor ( $\overline{RN}$ ) and SYNC to produce an active low $\overline{NMI}$ request. The combination of those signals forms the basis for the monitor trace routine function. For each op-code fetch, the SYNC line goes high. If the opcode is not being fetched from the monitor circuit, the $\overline{RN}$ line will be high. If the DEBUG function is active, the DBOUT line will be high. This combination forces $\overline{NMI}$ to go low, causing the Nonmaskable Interrupt. Like all interrupts, this one saves the processor status, but also displays the current program counter contents in the left 4 digits of the display and a '2' in digit 5 which indicates this is a $\overline{NMI}$ interrupt. The reason for having the $\overline{RN}$ (Not-Monitor) signal here is to avoid trying to trace the operation of the processor while it is within the monitor itself. The primary problem is that the monitor must store all of the CPU status and registers, then it must create and maintain the display. If the $\overline{RN}$ signal was not included, then for every opcode fetch, there would be new $\overline{NMI}$ request generated. In other words, we would be in an endless loop and could not perform the intended functions.<br>Schematic locations: D-7, C-5, A-8 |

| <u>I.C. No.</u> | <u>Type</u> | <u>FUNCTION PROVIDED</u>  |
|-----------------|-------------|---|
| U8              | 7400        | <p>Quad 2-input NAND</p> <p>Section 1 combines the signals CA2 and AAO into an active low output on pin 3 known as POR, which is the power-on reset. IF AAO is high, it means that addresses A000-A7FF are not being selected. Line CA2 is an independently controllable line within the 6522 at U25. See the power-on reset section for further details. Section 2 and 3 of U8 are connected together as a bistable flip-flop and serve as a single-bit memory. The high state is DEBUG-ON, the low state is DEBUG-OFF. See U7 for further details. Section 4 of U8 forms a part of the gating for read-write signal of U25-6522.</p> <p>Schematic locations: D-7(2), B-5, A-6</p>   |
| U9              | 74LS04      | <p>Hex Inverter</p> <p>Provides various inverter/buffer functions</p> <p>Schematic locations: C-8 (A14 invert)<br/>B-6 (A10 invert)<br/>C-5 (WPM invert)<br/>B-5 (A9 invert)</p>  |
| U10,U11         | 74LS145     | <p>BCD to Decimal Decoder Drivers</p> <p>U10 allows for segmenting of the 3rd 16K memory space into 8 - 2K segments (8000-BFFF). U11 allows for segment of the 4th (uppermost) 16K memory space into 8 - 2K segments (C000-FFFF). Both U10 and U11 have 4 lines as inputs and 10 lines as outputs. The input lines are D, C, B, and A in the order of binary significance. The 10 output lines are designated 0-9, each of which goes low when active.</p> <p>Only 8 of the output lines of each is used however, specifically, 0-7 of each. This means that the D input is used as an enable for that complete 16K segment of memory in that when D is active, the binary input is 8 or more, none of the lines 0-7 will be active.</p> <p>For U10, the D input is controlled by the combined gating of A15 and A14 into NAND gate U4. When both are active, D goes low, enabling this decoder as noted above, from 8000-BFFF.</p> |



I.C. No.    Type            FUNCTION PROVIDED

U20-23 are all directly wired with low order address lines A10-A0. As such, each socket could address 8K of ROM directly. Since U20 is a 4K device, besides the enable line at pin 20, we also need an extra line to distinguish between the upper and lower 2K of the 4K contents of the ROM. Therefore, A11 is brought into pin 18 of U20. This is the point A to point 1 jumper on the SYM board. Pin 21 of U20 is wired to ground. This is to activate CS2 (chip select 2) which is active low on the SYM monitor circuit. When an expanded version of the monitor is issued (8K by 8), it will only be necessary to cut the connection from 3 to E and instead mount a jumper from 4 to E. Also jumper from 7 to 10 and 8 to 9 (the same effect as jumping from 9 to J and 10 to J). Then the expanded SUPERMON will be accessed from 8000-9FFF.

U21 is factory wired for a 2716 or 2316B  
Addressed as C000-C7FF.

U22 is factory wired for a 2716 or 2316B  
Addressed as C800-CFFF.

U23 is factory wired for a 2716 or 2316B  
Addressed as D000-D7FF.

Schematic locations: D-4 to D-6

U24            7408

Quad 2-input AND

Each of the 4 sections is used to provide the chip select for one of the 4 onboard ROM sockets U20-23. The power-on reset jump may be wired to any one of the 4 sockets by wiring point 19 to N, P, R, or S, with the remaining points (only one to 19) wired to 20. This arranges for the power-on jump into one of the ROM's only, with the others addressed normally.

Schematic locations: D-6, D-5(2), D-4

U25            SY6522

Versatile Interface Adaptor

Addressed at A000-A3FF (see address decoding charts for more data on addressing). This VIA takes part in the power-on reset sequence, which is explained elsewhere. CA2 (pin 39) is used for this function. It also controls the remote start-stop function for the cassette tape unit thru CB2 (pin 19).

I.C. No.    Type    FUNCTION PROVIDED

Interpretation of the data from the cassette tape is done by counting and timing the duration of pulses arriving at PB6 (pin 16) from the output of U25, pin 7.

Schematic locations: C-6 See SYM reference manual for complete data sheets on this device.

U26            LM311

Comparator. A reference voltage of +2.5 V derived from voltage divider R95-R126 is fed into the plus input of the comparator. The audio input from the output of the tape recorder is fed to the negative input of the 311. When the input level is above 2.5V, the output of the 311 is near +5V; when the output of the tape is below 2.5 V, the output of the 311 is near ground. This circuit converts the tape waveform into square waves for more precise interpretation.

Schematic location: A-6

U27            SY6532

System RAM, I/O Combination  
Address Space A400-A7FF

(See address charts for further details)

Port A, when used as an output by the monitor routines, controls the onboard display. One bit of output, when high, causes one segment of the display to light. This is a display which is multiplexed, which means that the buffered bit outputs from port A are connected to all 6 digits. (All segment A's connected together, all segment B's connected together, etc). But only one path to +5 V is provided at a time. The digit to light is chosen by Port B bits 0-3, into decoder-driver U37.

Port A, when used as an input, looks at the onboard keypad. Port B acts as an output in this case, and the presence of a key closure is sensed on Port A, then interpreted by the monitor routines.

Port B, bits 4 and 7 serve as the CRT terminal output and input respectively.

Port B, bits 5 and 6 serve as the TTY output and input respectively.

For complete data sheets on this device, see SYM reference manula.

Schematic location: B-5

| <u>I.C. No.</u> | <u>Type</u>     | <u>FUNCTION PROVIDED</u>  |
|-----------------|-----------------|---|
| U28             | SY6522          | Versatile Interface Adaptor, user supplied<br>Address space A800-ABFF, (see address chart).<br>Since it is user supplied, all functions of the<br>6522 are open to the users own applications.<br>Schematic location: F-3   |
| U29             | SY6522          | VIA, Address space AC00-AFFF (see chart)<br>Port A bits 0, 1, 2, and 3 are dedicated to write-<br>protecting the monitor RAM, areas from 400-7FF, from<br>800-BFF, and C00-FFF. If any one of these bits<br>is set low, the system will be unable to write<br>into the selected area. This function may be dis-<br>abled by removal of the appropriate jumpers. Port<br>A bits 4 and 5 enable the software to call for the<br>DEBUG function, rather than always requiring<br>access to the DEBUG keys. If bit 4 is set low and<br>bit 5 is high, DEBUG will be on. If bit 5 is set<br>low and 4 high, the DEBUG function will be disabled.<br>The reason the DEBUG function does not come up<br>"accidentally" during the power-up is that the reset<br>pulse on the 6522 input sets all internal registers<br>to zero which configures this port as an input. Only<br>an intentional setting of port A bit 4 as an output<br>and writing a low level there will cause DEBUG to<br>come on. In addition the reset pulse is applied to<br>the DEBUG flip-flop through one output of U38 to<br>assure that DEBUG will be off as the monitor is<br>initially selected. Output lines CA2 and CB2 are<br>reserved and buffered for use with the scope output.<br>Finally, Port B, bits 4, 5, 6, and are buffered<br>for uses as outputs.<br>Schematic location: D-2 |
| U30             | 7416            | Hex Inverter<br>Dedicated to driving the onboard display.<br>Schematic location: D-2  |
| U31-36          | HP5082-<br>7730 | Seven segment displays, with decimal point.<br>Schematic location: C-3(3), C-2(3)   |
| U37             | 74145           | BCD to decimal decoder driver. This one is not an "LS"<br>type as is U10 and U11 because it is not connected to<br>any of the chip (U4) address lines. We minimize the<br>address line loading by the use of the "LS" circuits.   |

| <u>I.C. No.</u> | <u>Type</u> | <u>FUNCTION PROVIDED</u>   |
|-----------------|-------------|--|
|                 |             | <p>Outputs 0-5 of this chip enable digits 1-6 of the display.<br/>Output 7 is used to produce the audio output to the input of the tape recorder.<br/>Outputs 8 and 9 are unused and represent the disabled state of the decoder when active. As with U10 and U11, the D input of the device is used as the enable (low) or disable (high) for this decoder.<br/>Schematic location: B-3</p> |
| U38             | 7416        | <p>Hex inverter. Two parts of this chip are dedicated to the operation of the hex display. One section inverts the reset signal to turn off the DEBUG function. The next two parts of the chip are dedicated to the CRT-IN and CRT-OUT circuitry. The last section (terminals 3 and 4) are unused.<br/>Schematic locations: C-3(2), A-4(2), D-7</p>  |



ADDRESS SPACE ALLOCATIONS - SYM-1 (as delivered)

Due to the use of partial address decoding, the following segments of the memory space "repeat" themselves, that is, they are accessible at more than one physical address. In the memory map which follows, these address spaces will be referenced by the letter which is shown opposite each one. This will indicate, therefore, where extra address decoding would be required to expand the use of these repetitive memory segments.

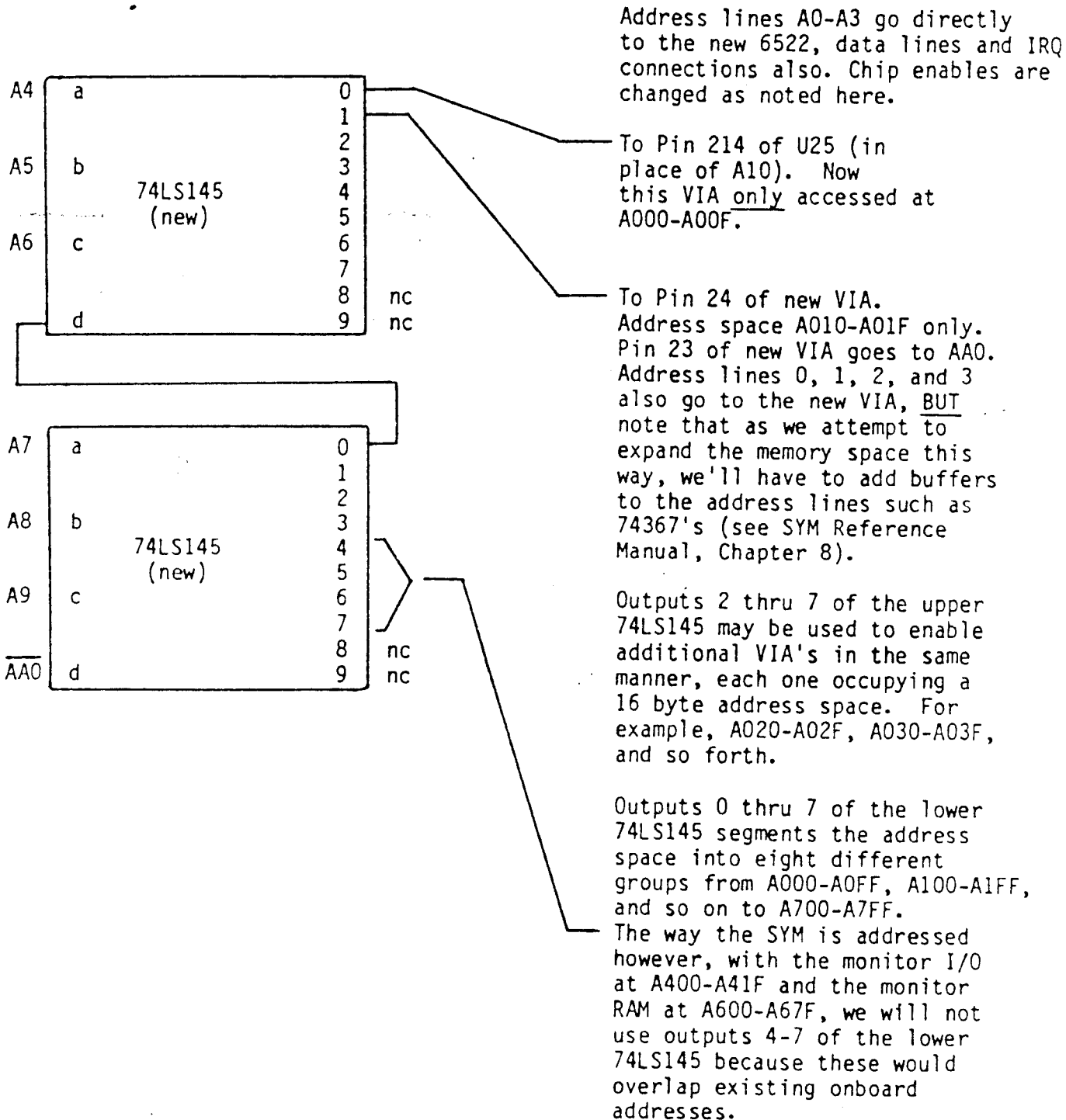
- A. A000-A00F (U25) Chip selected by address lines A0, A1, A2, A3, A10 and U10 selected line AA0.  
As a result of the limited address decoding, address A000 is also accessible at A010, A020, A030..... A100, A110, and so forth up to A3F0, for a total of 64 different locations. Similarly, any address within the range A000-A3FF is also accessible at any one of 64 different locations.
- B. A400-A41F (U27) Chip selected by address lines  
C. A600-A67F (U27) A0, A1, A2, A3, A4, A5, A6, A10 and A9 along with U10 select line AA0. Address range A400-A41F also is accessible at  
A420-A43F  
A440-A45F  
etc  
A500-A51F  
A520-A53F  
and so forth for a total of 16 areas of possible access.
- Address range A600-A67F also is accessible at A680-A6FF  
and A700-A77F  
and A780-A7FF  
and if jumper U - 22 is installed the monitor RAM is also accessible at:  
F800-F87F  
F880-F8FF  
F900-F97F  
etc  
for a total of 20 different areas.

- D. A800-A80F (U28) Chip selected by address line A0, A1, A2, A3, A10 and decoder U10 output line AA8.  
As with range A000-A00F described above, each address in this range is also accessible at 64 different locations.
- E. AC00-AC0F (U29) Chip selected by address lines A0, A1, A2, A3, A10, and decoder U10 output line AA8.  
As with range A000-A00F described above, each address in this range is accessible also at 64 different locations.

SYM-1 MEMORY MAP

|                               |      |  |
|-------------------------------|------|--|
|                               | FFFF |  |
| 16 REPEATS OF ADDRESS SPACE C |      |  |
|                               | FF80 |  |
| OPTIONAL RAE (PART 2)         |      |  |
|                               | E000 |  |
| OPTIONAL BASIC (PART 2)       |      |  |
|                               | D000 |  |
| OPTIONAL BASIC (PART 1)       |      |  |
|                               | C000 |  |
| OPTIONAL RAE (PART 1)         |      |  |
|                               | B000 |  |
| 64 REPEATS OF ADDRESS SPACE E |      |  |
|                               | AC00 | SPACE E = AC00-AC0F                      |
| 64 REPEATS OF ADDRESS SPACE D |      |  |
|                               | A800 | SPACE D = A800-A80F                      |
| 4 REPEATS OF ADDRESS SPACE C  |      |  |
|                               | A600 | SPACE C = A600-A67F                      |
| 16 REPEATS OF ADDRESS SPACE B |      |  |
|                               | A400 | SPACE B = A400-A41F                      |
| 64 REPEATS OF ADDRESS SPACE A |      |  |
|                               | A000 | SPACE A = A000-A00F                      |
| FUTURE EXPANSION OF SUPERMON  |      |  |
|                               | 9000 |  |
| SUPERMON VER.1.0 OR 1.1       |      |  |
|                               | 8000 |  |
| UNUSED                        |      |  |
|                               | 2000 |  |
| DECODERS FOR 4 BY 1K ONBOARD  |      |  |
|                               | 1000 |  |
| WRITE-PROTECTABLE RAM         |      |  |
|                               | 0C00 |  |
| WRITE-PROTECTABLE RAM         |      |  |
|                               | 0800 |  |
| WRITE-PROTECTABLE RAM         |      |  |
|                               | 0400 |  |
| USER RAM                      |      |  |
|                               | 0200 |  |
| STACK                         |      |  |
|                               | 0100 |  |
| USER RAM                      |      | ----00FF, 00FE RESERVED FOR SUPERMON USE |

EXAMPLE OF ADDING MORE 6522's IN THE ADDRESS SPACE A000-A3FF



APPENDIX 1 -

SYM-1 IC INTERCONNECT REFERENCE LISTING

- Notes:
1. In the listing which follows, UX-Y indicates IC number "X", pin number "Y".
  2. "E-NN" indicates expansion connector "E" and NN is the pin number.
  3. "AA-NN" indicates the "AA" connector, "NN" the pin number.
  4. "A-NN" indicates the "A" connector, "NN" the pin number.
  5. "AXX" (no hyphen) indicates a connection to an Address line.

SYM=1 IC INTERCONNECT REFERENCE LISTING

| IC/PIN# | POINTS TO WHICH IT IS CONNECTED |        |        |     | SIGNAL NAME |
|---------|---------------------------------|--------|--------|-----|-------------|
| U1=01   | (U20=23)=19                     | U9=1   | E=M    |     | A10         |
| U1=02   | U20=18                          | U10=15 | U11=15 | E=N | A11         |
| U1=03   | U10=14                          | U11=14 | E=P    |     | A12         |
| U1=04   | GND                             |        |        |     | GND         |
| U1=05   | GND                             |        |        |     | GND         |
| U1=06   | U3=12                           |        |        |     | 1/4 8K SEL  |
| U1=07   | A=J                             |        |        |     | IC          |
| U1=08   | GND                             |        |        |     | GND         |
| U1=09   | A=K                             | E=16   |        |     | 18          |
| U1=10   | A=H                             |        |        |     | 14          |
| U1=11   | A=F                             |        |        |     | 10          |
| U1=12   | U18=8                           | U19=8  | A=E    |     | 0C          |
| U1=13   | U16=8                           | U17=8  | A=D    |     | 08          |
| U1=14   | U14=8                           | U15=8  | A=C    |     | 04          |
| U1=15   | U12=8                           | U13=8  | A=B    |     | 00          |
| U1=16   | +5V                             |        |        |     | +5V         |
| U2=01   | UNUSED                          |        |        |     |             |
| U2=02   | UNUSED                          |        |        |     |             |
| U2=03   | U5=39                           |        |        |     | PHASE=2     |
| U2=04   | U2=5                            |        |        |     | PHASE=2 NOT |
| U2=05   | U2=4                            |        |        |     | PHASE=2 NOT |
| U2=06   | E=U                             |        |        |     | PHASE=2 OUT |
| U2=07   | GND                             |        |        |     | GND         |
| U2=08   | E=V                             |        |        |     | RW          |
| U2=09   | U2=10                           |        |        |     | RW=NOT      |
| U2=10   | U2=9                            |        |        |     | RW=NOT      |
| U2=11   | U5=34                           |        |        |     | RW          |
| U2=12   | U12=10                          | U13=10 | E=Z    |     | WRITE=NOT   |
| U2=13   | U3=8                            | U4=5   |        |     | WRITE       |
| U2=14   | +5V                             |        |        |     | +5V         |
| U3=01   | U3=1                            | U4=2   | U7=1   | E=T | A15         |
| U3=02   | U9=13                           | U7=13  | E=S    |     | A14         |
| U3=03   | U3=4                            | U3=5   | U6=3   |     | RES         |
| U3=04   | U3=3                            | U3=5   | U6=3   |     | RES         |
| U3=05   | U3=3                            | U3=4   | U6=3   |     | RES         |
| U3=06   | U5=40                           | E=7    |        |     | RES=NOT     |
| U3=07   | GND                             |        |        |     | GND         |
| U3=08   | U4=5                            | U4=13  | U4=10  |     | WRITE       |
| U3=09   | E=Y                             |        |        |     | PHASE=2=NOT |
| U3=10   | U3=11                           | U2=8   | E=V    |     | RW          |
| U3=11   | U3=10                           | U2=8   | E=V    |     | RW          |
| U3=12   | U1=6                            |        |        |     | 1/4 8K SEL  |
| U3=13   | U3=13                           | U10=13 | U11=13 | E=R | A13         |
| U3=14   | +5V                             |        |        |     | +5V         |
| U4=01   | U9=12                           |        |        |     | A14=NOT     |
| U4=02   | U3=1                            | U7=1   | E=T    |     | A15         |
| U4=03   | U10=12                          |        |        |     | 3/4 8K SEL  |
| U4=04   | U29=3                           | R67    | AA=W   |     | WPIK=NOT    |

• 20 •

SYM=1 IC INTERCONNECT REFERENCE LISTING

| IC/PIN# | POINTS TO WHICH IT IS CONNECTED |             |                   |        |        | SIGNAL NAME |          |
|---------|---------------------------------|-------------|-------------------|--------|--------|-------------|----------|
| 14=05   | U3=8                            | U4=10       | U4=13             |        |        |             | WRITE    |
| 14=06   | U14=10                          | U15=10      |                   |        |        |             | WR1=NOT  |
| 14=07   | GND                             |             |                   |        |        |             | GND      |
| 14=08   | U18=10                          | U19=10      |                   |        |        |             | WR3=NOT  |
| 14=09   | U29=05                          | R69         | AA=18             |        |        |             | WP3K=NOT |
| 14=10   | U3=8                            | U4=5        | U4=13             |        |        |             | WRITE    |
| 14=11   | U16=10                          | U17=10      |                   |        |        |             | WR2=NOT  |
| 14=12   | U29=4                           | R68         | AA=X              |        |        |             | WP2K=NOT |
| 14=13   | U3=8                            | U4=5        | U4=10             |        |        |             | WRITE    |
| 14=14   | +5V                             |             |                   |        |        |             | +5V      |
| 15=01   | GND                             |             |                   |        |        |             | GND      |
| 15=02   | R74                             | E=2         |                   |        |        |             | RDY      |
| 15=03   | E=3                             |             |                   |        |        |             | PHASE=1  |
| 15=04   | R73                             | E=4         | U25=21            | U28=21 | U29=21 |             | IRQ=NOT  |
| 15=05   | UNUSED                          |             |                   |        |        |             | .        |
| 15=06   | U7=8                            | E=6         |                   |        |        |             | NMI=NOT  |
| 15=07   | U7=10                           | E=1         |                   |        |        |             | SYNC     |
| 15=08   | +5V                             |             |                   |        |        |             | +5V      |
| 15=09   | (U12=19)=5                      | (U20=23)=8  | (U25,28,29)=38    | U27=7  | E=A    |             | A0       |
| 15=10   | (U12=19)=6                      | (U20=23)=7  | (U25,28,29)=37    | U27=6  | E=B    |             | A1       |
| 15=11   | (U12=19)=7                      | (U20=23)=6  | (U25,28,29)=36    | U27=5  | E=C    |             | A2       |
| 15=12   | (U12=19)=4                      | (U20=23)=5  | (U25,28,29)=35    | U27=4  | E=D    |             | A3       |
| 15=13   | (U12=19)=3                      | (U20=23)=4  | U27=3             | E=E    |        |             | A4       |
| 15=14   | (U12=19)=2                      | (U20=23)=3  | U27=2             | E=F    |        |             | A5       |
| 15=15   | (U12=19)=1                      | (U20=23)=2  | U27=40            | E=H    |        |             | A6       |
| 15=16   | (U12=19)=17                     | (U20=23)=1  | E=J               |        |        |             | A7       |
| 15=17   | (U12=19)=16                     | (U20=23)=23 | E=K               |        |        |             | A8       |
| 15=18   | (U12=19)=22                     | U9=9        | E=L               |        |        |             | A9       |
| 15=19   | U27=38                          | U9=1        | (U20=23)=19       | U1=1   | E=M    |             | A10      |
| 15=20   | U20=18                          | U10=15      | U11=15            | U1=2   | E=N    |             | A11      |
| 15=21   | GND                             |             |                   |        |        |             | GND      |
| 15=22   | U10=14                          | U11=14      | U1=3              | E=P    |        |             | A12      |
| 15=23   | U3=13                           | U10=13      | U11=13            | E=R    |        |             | A13      |
| 15=24   | U9=13                           | U7=13       | U3=2              | E=S    |        |             | A14      |
| 15=25   | U3=1                            | U4=2        | U7=1              | E=T    |        |             | A15      |
| 15=26   | (U13,15,17,19)=11               | (U20=23)=17 | (U25,27,28,29)=26 | E=8    |        |             | D7       |
| 15=27   | (U13,15,17,19)=12               | (U20=23)=16 | (U25,27,28,29)=27 | E=9    |        |             | D6       |
| 15=28   | (U13,15,17,19)=13               | (U20=23)=15 | (U25,27,28,29)=28 | E=10   |        |             | D5       |
| 15=29   | (U13,15,17,19)=14               | (U20=23)=14 | (U25,27,28,29)=29 | E=11   |        |             | D4       |
| 15=30   | (U12,14,16,18)=11               | (U20=23)=13 | (U25,27,28,29)=30 | E=12   |        |             | D3       |
| 15=31   | (U12,14,16,18)=12               | (U20=23)=11 | (U25,27,28,29)=31 | E=13   |        |             | D2       |
| 15=32   | (U12,14,16,18)=13               | (U20=23)=10 | (U25,27,28,29)=32 | E=14   |        |             | D1       |
| 15=33   | (U12,14,16,18)=14               | (U20=23)=9  | (U25,27,28,29)=33 | E=15   |        |             | D0       |
| 15=34   | U2=11                           |             |                   |        |        |             | RW       |
| 15=35   | UNUSED                          |             |                   |        |        |             |          |
| 15=36   | UNUSED                          |             |                   |        |        |             |          |
| 15=37   | Y1                              | R77         | C13               | CR26   | CR27   |             | XTAL     |
| 15=38   | E=5                             |             |                   |        |        |             | RO       |
| 15=39   | C13                             | U2=3        |                   |        |        |             | PHASE=2  |
| 15=40   | U3=6                            | E=7         |                   |        |        |             | RST      |

SYM=1 IC INTERCONNECT REFERENCE LISTING

| IC/PIN# | POINTS TO WHICH IT IS CONNECTED |        |        |       | SIGNAL NAME |
|---------|---------------------------------|--------|--------|-------|-------------|
| U6=01   | GND                             |        |        |       | GND         |
| U6=02   | R72                             | C10    | RST=SW |       | RST         |
| U6=03   | U3=3                            | U3=4   | U3=5   |       | TIMER=OUT   |
| U6=04   | R70                             |        |        |       |             |
| U6=05   | C11                             |        |        |       |             |
| U6=06   | U6=7                            | R71    | C25    |       |             |
| U6=07   | U6=6                            | R71    | C25    |       |             |
| U6=08   | +5V                             |        |        |       | +5V         |
| U7=01   | U3=1                            | U4=2   | E=T    |       | A15         |
| U7=02   | E=18                            | U24=9  | U8=3   |       | POR=NOT     |
| U7=03   | E=W                             |        |        |       | RW=NOT      |
| U7=04   | U9=10                           |        |        |       | WPH         |
| U7=05   | (U12=19)=22                     | U9=9   | E=L    |       | A9          |
| U7=06   | U8=12                           |        |        |       | WRITE=MON   |
| U7=07   | GND                             |        |        |       | GND         |
| U7=08   | U5=6                            | E=6    |        |       | NMI=NOT     |
| U7=09   | U8=8                            | U8=5   | E=17   |       | DEBUG=ON    |
| U7=10   | U5=7                            | E=1    |        |       | SYNC        |
| U7=11   | U24=8                           | U20=20 |        |       | RN=NOT      |
| U7=12   | U11=12                          |        |        |       | 4/4 8K SEL  |
| U7=13   | U9=13                           | U3=2   | E=S    |       | A14         |
| U7=14   | +5V                             |        |        |       | +5V         |
| U8=01   | U10=5                           | U25=23 | U27=37 | R59   | AA0=NOT     |
| U8=02   | U25=39                          |        |        |       | CA2=U25     |
| U8=03   | U7=2                            | U24=9  | E=18   |       | POR=NOT     |
| U8=04   | R76                             | U29=7  | AA=20  | U38=8 | DBUGOFF     |
| U8=05   | U8=8                            | U7=9   | E=17   |       | DBUGON      |
| U8=06   | U8=9                            |        |        |       | DBUGLATCH   |
| U8=07   | GND                             |        |        |       | GND         |
| U8=08   | U8=5                            | U7=9   | E=17   |       | DBUGON      |
| U8=09   | U8=6                            |        |        |       | DBUGLATCH   |
| U8=10   | R75                             | U29=6  | AA=19  |       | DBUGON      |
| U8=11   | U27=35                          |        |        |       | RW=MON      |
| U8=12   | U7=6                            |        |        |       | WRITE=MON   |
| U8=13   | U2=10                           | U2=9   | E=W    |       | RW=NOT      |
| U8=14   | +5V                             |        |        |       | +5V         |
| U9=01   | (U20=23)=19                     | E=M    |        |       | A10         |
| U9=02   | U25=24                          | U28=24 |        |       | A10=NOT     |
| U9=03   | UNUSED                          |        |        |       |             |
| U9=04   | UNUSED                          |        |        |       |             |
| U9=05   | UNUSED                          |        |        |       |             |
| U9=06   | UNUSED                          |        |        |       |             |
| U9=07   | GND                             |        |        |       | GND         |



SYM•1 IC INTERCONNECT REFERENCE LISTING

| IC/PIN#      | POINTS TO WHICH IT IS CONNECTED     | SIGNAL NAME |
|--------------|-------------------------------------|-------------|
| U9•08        | U27•36                              | A9•NOT      |
| U9•09        | (U12•19)•22 E•L                     | A9          |
| U9•10        | U7•4                                | WPM         |
| U9•11        | R83 U29•2 AA•V                      | WPM•NOT     |
| U9•12        | U4•1                                | A14•NOT     |
| U9•13        | U7•13 U3•2 E•S                      | A14         |
| U9•14        | +5V                                 | +5V         |
| U10•01       | U24•10 R79                          | 88XX        |
| U10•02       | U24•10 R79                          | 88XX        |
| U10•03       | UNUSED                              | 90XX        |
| U10•04       | UNUSED                              | 98XX        |
| U10•05       | U25•23 U27•37 R59                   | AA0         |
| U10•06       | U28•23 U29•23 R60                   | AA8         |
| U10•07       | UNUSED                              | 80XX        |
| U10•08       | GND                                 | GND         |
| U10•09       | U27•37 R98                          | 88XX        |
| U10•10       | UNUSED                              | DISABLE     |
| U10•11       | UNUSED                              | DISABLE     |
| U10•12       | U4•3                                | 3/4 8K SEL  |
| U10•13       | U3•13 U11•13 E•R                    | A13         |
| U10•14       | U11•14 U1•3 E•P                     | A12         |
| U10•15       | U20•18 U11•15 U1•2 E•N              | A11         |
| U10•16       | +5V                                 | +5V         |
| U11•01       | R80                                 | COXX        |
| U11•02       | R81                                 | C8XX        |
| U11•03       | R82                                 | DOXX        |
| U11•04       | UNUSED                              | DBXX        |
| U11•05       | UNUSED                              | EOXX        |
| U11•06       | UNUSED                              | EBXX        |
| U11•07       | UNUSED                              | FOXX        |
| U11•08       | GND                                 | GND         |
| U11•09       | U27•37 R98                          | FBXX        |
| U11•10       | UNUSED                              | DISABLE     |
| U11•11       | UNUSED                              | DISABLE     |
| U11•12       | U7•12                               | 1/4 8K SEL  |
| U11•13       | U3•13 U10•13 E•R                    | A13         |
| U11•14       | U10•14 U1•3 E•P                     | A12         |
| U11•15       | U20•18 U10•15 U1•2 E•N              | A11         |
| U11•16       | +5V                                 | +5V         |
| (U12•U19)•01 | (U20•23)•2 U27•40 E•H               | A6          |
| (U12•U19)•02 | (U20•23)•3 U27•2 E•F                | A5          |
| (U12•U19)•03 | (U20•23)•4 U27•3 E•E                | A4          |
| (U12•U19)•04 | (U20•23)•5 (U25,28,29)•35 U27•4 E•D | A3          |
| (U12•U19)•05 | (U20•23)•8 (U25,28,29)•38 U27•7 E•A | A0          |
| (U12•U19)•06 | (U20•23)•7 (U25,28,29)•37 U27•6 E•B | A1          |

SYM=1 IC INTERCONNECT REFERENCE LISTING

| IC/PIN#           | POINTS TO WHICH IT IS CONNECTED          | SIGNAL NAME |
|-------------------|--|-------------|
| (U12,U19)=07      | (U20=23)=6 (U25,28,29)=36 U27=5 E=C      | A2          |
| (U12,U13)=08      | U1=15                                    | 00          |
| (U14,U15)=08      | U1=14                                    | 04          |
| (U16,U17)=08      | U1=13                                    | 08          |
| (U18,U19)=08      | U1=12                                    | 0C          |
| (U12,U19)=09      | GND                                      | GND         |
| (U12,U13)=10      | E=Z                                      | RAM=RW      |
| (U14,U15)=10      | U4=6                                     | WR1=NOT     |
| (U16,U17)=10      | U4=11                                    | WR2=NOT     |
| (U18,U19)=10      | U4=8                                     | WR3=NOT     |
| (U12,14,16,18)=11 | (U20=23)=13 (U25,27,28,29)=30 E=8        | D3          |
| (U12,14,16,18)=12 | (U20=23)=12 (U25,27,28,29)=31 E=9        | D2          |
| (U12,14,16,18)=13 | (U20=23)=11 (U25,27,28,29)=32 E=10       | D1          |
| (U12,14,16,18)=14 | (U20=23)=10 (U25,27,28,29)=33 E=11       | D0          |
| (U13,15,17,19)=11 | (U20=23)=17 (U25,27,28,29)=26 E=12       | D7          |
| (U13,15,17,19)=12 | (U20=23)=16 (U25,27,28,29)=27 E=13       | D6          |
| (U13,15,17,19)=13 | (U20=23)=15 (U25,27,28,29)=28 E=14       | D5          |
| (U13,15,17,19)=14 | (U20=23)=14 (U25,27,28,29)=29 E=15       | D4          |
| (U12,U19)=15      | (U12=19)=22 U9=9 E=L                     | A9          |
| (U12,U19)=16      | (U12=19)=16 (U20=23)=23 E=K              | A8          |
| (U12,U19)=17      | (U12=19)=17 (U20=23)=1 E=J               | A7          |
| (U12,U19)=18      | +5V                                      | +5V         |
| (U20=23)=01       | (U12=19)=17 E=J                          | A7          |
| (U20=23)=02       | (U12=19)=1 U27=40 E=H                    | A6          |
| (U20=23)=03       | (U12=19)=2 U27=2 E=F                     | A5          |
| (U20=23)=04       | (U12=19)=3 U27=3 E=E                     | A4          |
| (U20=23)=05       | (U12=19)=4 (U25,28,29)=35 U27=4 E=D      | A3          |
| (U20=23)=06       | (U12=19)=7 (U25,28,29)=36 U27=5 E=C      | A2          |
| (U20=23)=07       | (U12=19)=6 (U25,28,29)=37 U27=6 E=B      | A1          |
| (U20=23)=08       | (U12=19)=5 (U25,28,29)=38 U27=7 E=A      | A0          |
| (U20=23)=09       | (U13,15,17,19)=14 (U25,27,28,29)=33 E=15 | D0          |
| (U20=23)=10       | (U13,15,17,19)=13 (U25,27,28,29)=32 E=14 | D1          |
| (U20=23)=11       | (U13,15,17,19)=12 (U25,27,28,29)=31 E=13 | D2          |
| (U20=23)=12       | GND                                      | GND         |
| (U20=23)=13       | (U13,15,17,19)=11 (U25,27,28,29)=30 E=12 | D3          |
| (U20=23)=14       | (U13,15,17,19)=14 (U25,27,28,29)=29 E=11 | D4          |
| (U20=23)=15       | (U13,15,17,19)=13 (U25,27,28,29)=28 E=10 | D5          |
| (U20=23)=16       | (U13,15,17,19)=12 (U25,27,28,29)=27 E=9  | D6          |
| (U20=23)=17       | (U13,15,17,19)=11 (U25,27,28,29)=26 E=8  | D7          |
| U20=18            | U10=15 U11=15 U1=2 E=N                   | A11         |
| U21=18            | GND                                      | GND         |
| U22=18            | GND                                      | GND         |
| U23=18            | GND                                      | GND         |
| U20=21            | GND                                      | GND         |
| U21=21            | +5V                                      | +5V         |
| U22=21            | +5V                                      | +5V         |
| U23=21            | +5V                                      | +5V         |
| (U20=23)=22       | (U12=19)=22 U9=9 E=L                     | A9          |
| (U20=23)=23       | (U12=19)=16 E=K                          | A8          |
| (U20=23)=24       | +5V                                      | +5V         |

SYM=1 IC INTERCONNECT REFERENCE LISTING

| IC/PIN# | POINTS TO WHICH IT IS CONNECTED                   | SIGNAL NAME |
|---------|---|-------------|
| U24=01  | U11=3 R82   | U23=SEL     |
| U24=02  | R78   |             |
| U24=03  | U23=20  | U23=SEL     |
| U24=04  | U11=1 R80   | U21=SEL     |
| U24=05  | R78   |             |
| U24=06  | U21=20  | U21=SEL     |
| U24=07  | GND   | GND         |
| U24=08  | U7=11 U20=8                                       | RN=NOT      |
| U24=09  | U18=3 E=18  | POR=NOT     |
| U24=10  | U10=1 U10=2                                       | 8XXX        |
| U24=11  | U22=20  | U22=SEL     |
| U24=12  | R78   |             |
| U24=13  | U11=2   | U22=SEL     |
| U24=14  | +5V   | +5V         |
| U25=01  | GND   |             |
| U25=02  | A=14  |             |
| U25=03  | A=4   |             |
| U25=04  | A=3   |             |
| U25=05  | A=2   |             |
| U25=06  | A=5   |             |
| U25=07  | A=6   |             |
| U25=08  | A=7   |             |
| U25=09  | A=8   |             |
| U25=10  | A=9   |             |
| U25=11  | A=10  |             |
| U25=12  | A=11  |             |
| U25=13  | A=12  |             |
| U25=14  | A=13  |             |
| U25=16  | U26=7   | DATA=IN     |
| U25=17  | U3=1 U4=2 U7=1 E=T                                | A15         |
| U25=18  | UNUSED  |             |
| U25=19  | Q27=BASEL   | TAPECNTL    |
| U25=20  | +5V   | +5V         |
| U25=21  | U5=4 E=4  | IRQ=NOT     |
| U25=22  | U2=8 E=V  | RW          |
| U25=23  | U10=5   | AA0=NOT     |
| U25=24  | U9=2 U28=24                                       | A10=NOT     |
| U25=25  | U2=6 E=U  | PHASE=2     |
| U25=26  | (U13,15,17,19)=11 (U20=23)=17 (U27,28,29)=26 E=8  | D7          |
| U25=27  | (U13,15,17,19)=12 (U20=23)=16 (U27,28,29)=27 E=9  | D6          |
| U25=28  | (U13,15,17,19)=13 (U20=23)=15 (U27,28,29)=28 E=10 | D5          |
| U25=29  | (U13,15,17,19)=14 (U20=23)=14 (U27,28,29)=29 E=11 | D4          |
| U25=30  | (U13,15,17,19)=11 (U20=23)=13 (U27,28,29)=30 E=12 | D3          |
| U25=31  | (U13,15,17,19)=12 (U20=23)=12 (U27,28,29)=31 E=13 | D2          |
| U25=32  | (U13,15,17,19)=13 (U20=23)=11 (U27,28,29)=32 E=14 | D1          |
| U25=33  | (U13,15,17,19)=14 (U20=23)=10 (U27,28,29)=33 E=15 | D0          |
| U25=34  | E=7 U3=6 U5=40                                    | RES=NOT     |
| U25=35  | (U12=19)=4 (U20=23)=5 (U28,29)=35 U27=4 E=D       | A3          |
| U25=36  | (U12=19)=7 (U20=23)=6 (U28,29)=36 U27=5 E=C       | A2          |

SYM=1 IC INTERCONNECT REFERENCE LISTING

| IC/PIN# | POINTS TO WHICH IT IS CONNECTED |             |                |       |      |  | SIGNAL NAME |
|---------|---------------------------------|-------------|----------------|-------|------|--|-------------|
| U25•37  | (U12•19)•6                      | (U20•23)•7  | (U28,29)•37    | U27•6 | E•B  |  | A1          |
| U25•38  | (U12•19)•5                      | (U20•23)•8  | (U28,29)•38    | U27•7 | E•A  |  | A0          |
| U25•39  | U8•2                            |             |                |       |      |  |             |
| U25•40  | GND                             |             |                |       |      |  | GND         |
| U26•01  | GND                             |             |                |       |      |  | GND         |
| U26•02  | CR28                            | CR29        | R93            | R95   | R126 |  | AUDIOREF    |
| U26•03  | CR28                            | CR29        | R93            | R95   |      |  | AUDIOIN     |
| U26•04  | GND                             |             |                |       |      |  | GND         |
| U26•05  | UNUSED                          |             |                |       |      |  |             |
| U26•06  | UNUSED                          |             |                |       |      |  |             |
| U26•07  | U25•16                          |             |                |       |      |  | DATA•IN     |
| U26•08  | +5V                             |             |                |       |      |  | +5V         |
| U27•01  | GND                             |             |                |       |      |  | GND         |
| U27•02  | (U12•19)•2                      | (U20•23)•3  | E•F            |       |      |  | A5          |
| U27•03  | (U12•19)•3                      | (U20•23)•4  | E•E            |       |      |  | A4          |
| U27•04  | (U12•19)•4                      | (U20•23)•5  | (U25,28,29)•35 | E•D   |      |  | A3          |
| U27•05  | (U12•19)•7                      | (U20•23)•6  | (U25,28,29)•36 | E•C   |      |  | A2          |
| U27•06  | (U12•19)•6                      | (U20•23)•7  | (U25,28,29)•37 | E•B   |      |  | A1          |
| U27•07  | (U12•19)•5                      | (U20•23)•8  | (U25,28,29)•38 | E•A   |      |  | A0          |
| U27•08  | U30•13                          |             |                |       |      |  | COLA        |
| U27•09  | U30•11                          |             |                |       |      |  | COLB        |
| U27•10  | U30•5                           |             |                |       |      |  | COLC        |
| U27•11  | U30•3                           |             |                |       |      |  | COLD        |
| U27•12  | U30•1                           |             |                |       |      |  | COLE        |
| U27•13  | U30•9                           |             |                |       |      |  | COLF        |
| U27•14  | U38•11                          |             |                |       |      |  | COLG        |
| U27•15  | U38•13                          |             |                |       |      |  | ROWO        |
| U27•16  | U38•6                           |             |                |       |      |  | CRTIN       |
| U27•17  | Q28                             |             |                |       |      |  | TTYIN       |
| U27•18  | RN1                             |             |                |       |      |  | TTYOUT      |
| U27•19  | U38•1                           |             |                |       |      |  | CRTOUT      |
| U27•20  | +5V                             |             |                |       |      |  | +5V         |
| U27•21  | U37•12                          |             |                |       |      |  | DIS•ENA     |
| U27•22  | U37•13                          |             |                |       |      |  | ROW3        |
| U27•23  | U37•14                          |             |                |       |      |  | ROW2        |
| U27•24  | U37•15                          |             |                |       |      |  | ROW1        |
| U27•25  | UNUSED                          |             |                |       |      |  | IRQ•NOT     |
| U27•26  | (U13,15,17,19)•11               | (U20•23)•17 | (U25,28,29)•26 | E•8   |      |  | D7          |
| U27•27  | (U13,15,17,19)•12               | (U20•23)•16 | (U25,28,29)•27 | E•9   |      |  | D6          |
| U27•28  | (U13,15,17,19)•13               | (U20•23)•15 | (U25,28,29)•28 | E•10  |      |  | D5          |
| U27•29  | (U13,15,17,19)•14               | (U20•23)•14 | (U25,28,29)•29 | E•11  |      |  | D4          |
| U27•30  | (U13,15,17,19)•11               | (U20•23)•13 | (U25,28,29)•30 | E•12  |      |  | D3          |
| U27•31  | (U13,15,17,19)•12               | (U20•23)•12 | (U25,28,29)•31 | E•13  |      |  | D2          |
| U27•32  | (U13,15,17,19)•13               | (U20•23)•11 | (U25,28,29)•32 | E•14  |      |  | D1          |
| U27•33  | (U13,15,17,19)•14               | (U20•23)•10 | (U25,28,29)•33 | E•15  |      |  | D0          |
| U27•34  | E•7                             | U3•6        | U5•40          |       |      |  | RES•NOT     |
| U27•35  | U8•11                           |             |                |       |      |  | MONRAMRW    |
| U27•36  | U9•8                            |             |                |       |      |  | A9•NOT      |

SYM=1 IC INTERCONNECT REFERENCE LISTING

| IC/PIN# | POINTS TO WHICH IT IS CONNECTED                   | SIGNAL NAME |
|---------|---|-------------|
| U27=37  | U10=5   | AA0=NOT     |
| U27=38  | (U20=23)=19 U9=1 E=M                              | A10         |
| U27=39  | U2=6 E=U  | PHASE=2     |
| U27=40  | (U12=19)=1 (U20=23)=2 E=H                         | A6          |
| U28=01  | GND   | GND         |
| U28=02  | AA=D  |             |
| U28=03  | AA=3  |             |
| U28=04  | AA=C  |             |
| U28=05  | AA=12   |             |
| U28=06  | AA=N  |             |
| U28=07  | AA=11   |             |
| U28=08  | AA=M  |             |
| U28=09  | AA=10   |             |
| U28=10  | AA=L  |             |
| U28=11  | AA=9  |             |
| U28=12  | AA=K  |             |
| U28=13  | AA=8  |             |
| U28=14  | AA=J  |             |
| U28=15  | AA=7  |             |
| U28=16  | AA=H  |             |
| U28=17  | AA=6  |             |
| U28=18  | AA=F  |             |
| U28=19  | AA=5  |             |
| U28=20  | +5V   | +5V         |
| U28=21  | E=4 U5=4  | IRQ=NOT     |
| U28=22  | E=V U2=8 U3=10 U3=11                              | RW          |
| U28=23  | U10=6 R60   | AA8=NOT     |
| U28=24  | U9=2 U25=24                                       | A10=NOT     |
| U28=25  | U2=6 E=U  | PHASE=2     |
| U28=26  | (U13,15,17,19)=11 (U20=23)=17 (U25,27,29)=26 E=8  | D7          |
| U28=27  | (U13,15,17,19)=12 (U20=23)=16 (U25,27,29)=27 E=9  | D6          |
| U28=28  | (U13,15,17,19)=13 (U20=23)=15 (U25,27,29)=28 E=10 | D5          |
| U28=29  | (U13,15,17,19)=14 (U20=23)=14 (U25,27,29)=29 E=11 | D4          |
| U28=30  | (U13,15,17,19)=11 (U20=23)=13 (U25,27,29)=30 E=12 | D3          |
| U28=31  | (U13,15,17,19)=12 (U20=23)=12 (U25,27,29)=31 E=13 | D2          |
| U28=32  | (U13,15,17,19)=13 (U20=23)=11 (U25,27,29)=32 E=14 | D1          |
| U28=33  | (U13,15,17,19)=14 (U20=23)=10 (U25,27,29)=33 E=15 | D0          |
| U28=34  | U3=6 U5=40 E=7                                    | RES=NOT     |
| U28=35  | (U12=19)=4 (U20=23)=5 (U25,29)=35 U27=4 E=D       | A3          |
| U28=36  | (U12=19)=7 (U20=23)=6 (U25,29)=36 U27=5 E=C       | A2          |
| U28=37  | (U12=19)=6 (U20=23)=7 (U25,29)=37 U27=6 E=B       | A1          |
| U28=38  | (U12=19)=5 (U20=23)=8 (U25,29)=38 U27=7 E=A       | A0          |
| U28=39  | AA=4  | .           |
| U28=40  | AA=E  | .           |
| U29=01  | GND   | GND         |
| U29=02  | AA=V  |             |
| U29=03  | AA=W  |             |
| J29=04  | AA=X  |             |

SYM=1 IC INTERCONNECT REFERENCE LISTING

| IC/PIN# | POINTS TO WHICH IT IS CONNECTED              | SIGNAL NAME |
|---------|--|-------------|
| U29=05  | AA=18  |             |
| U29=06  | AA=19  |             |
| U29=07  | AA=20  |             |
| U29=08  | AA=17  |             |
| U29=09  | AA=U   |             |
| U29=10  | AA=16  |             |
| U29=11  | AA=T   |             |
| U29=12  | AA=15  |             |
| U29=13  | AA=S   |             |
| U29=14  | AA=Y   | BUFFERED    |
| U29=15  | AA=21  | BUFFERED    |
| U29=16  | AA=Z   | BUFFERED    |
| U29=17  | AA=22  | BUFFERED    |
| U29=18  | AA=14  |             |
| U29=19  | SCOPE=OUT=BUFF                               |             |
| U29=20  | +5V  | +5V         |
| U29=21  | E=4 U5=4 U25=21 U28=21                       | IRQ=NOT     |
| U29=22  | E=V U2=8 U3=10 U3=11                         | RW          |
| U29=23  | R60 U28=23                                   | AA8=NOT     |
| U29=24  | (U20=23)=19 U9=1 E=M                         | A10         |
| U29=25  | E=U U2=6                                     | PHASE=2     |
| U29=26  | (U13,15,17,19)=11 (U20=23)=17 (U25,27,28)=26 | E=8 D7      |
| U29=27  | (U13,15,17,19)=12 (U20=23)=16 (U25,27,28)=27 | E=9 D6      |
| U29=28  | (U13,15,17,19)=13 (U20=23)=15 (U25,27,28)=28 | E=10 D5     |
| U29=29  | (U13,15,17,19)=14 (U20=23)=14 (U25,27,28)=29 | E=11 D4     |
| U29=30  | (U13,15,17,19)=11 (U20=23)=13 (U25,27,28)=30 | E=12 D3     |
| U29=31  | (U13,15,17,19)=12 (U20=23)=12 (U25,27,28)=31 | E=13 D2     |
| U29=32  | (U13,15,17,19)=13 (U20=23)=11 (U25,27,28)=32 | E=14 D1     |
| U29=33  | (U13,15,17,19)=14 (U20=23)=10 (U25,27,28)=33 | E=15 D0     |
| U29=34  | E=7 U3=6 U5=40                               | RES=NOT     |
| U29=35  | (U12=19)=4 (U20=23)=5 (U25,28)=35 U27=4      | E=D A3      |
| U29=36  | (U12=19)=7 (U20=23)=6 (U25,28)=36 U27=5      | E=C A2      |
| U29=37  | (U12=19)=6 (U20=23)=7 (U25,28)=37 U27=6      | E=B A1      |
| U29=38  | (U12=19)=5 (U20=23)=8 (U25,28)=38 U27=7      | E=A A0      |
| U29=39  | SCOPE=OUT=BUFFER                             |             |
| U29=40  | AA=P   |             |

|        |             |
|--------|-------------|
| U30=01 | U27=12 A=20 |
| U30=02 | RN2=SEG=E   |
| U30=03 | U27=11 A=22 |
| U30=04 | RN2=SEG=D   |
| U30=05 | U27=10 A=Y  |
| U30=06 | RN2=SEG=C   |
| U30=07 | GND         |
| U30=08 | RN2=SEG=F   |
| U30=09 | U27=13 A=18 |
| U30=10 | RN2=SEG=B   |
| U30=11 | U27=9 A=19  |
| U30=12 | RN2=SEG=A   |
| U30=13 | U27=8 A=21  |
| U30=14 | +5V         |

SYM=1 IC INTERCONNECT REFERENCE LISTING

| IC/PIN#    | POINTS TO WHICH IT IS CONNECTED        | SIGNAL NAME |
|------------|--|-------------|
| J31•U36•01 | SEGMENT•A•ALL•WIRED•TOGETHER           |             |
| J31•U36•02 | SEGMENT•F•ALL•WIRED•TOGETHER           |             |
| U31•03     | BUFFER•SW•TO•5V•FROM•U37•01            |             |
| J32•03     | BUFFER•SW•TO•5V•FROM•U37•02            |             |
| U33•03     | BUFFER•SW•TO•5V•FROM•U37•03            |             |
| J34•03     | BUFFER•SW•TO•5V•FROM•U37•04            |             |
| J35•03     | BUFFER•SW•TO•5V•FROM•U37•05            |             |
| J36•03     | BUFFER•SW•TO•5V•FROM•U37•06            |             |
| J31•U36•04 | UNUSED                                 |             |
| J31•U36•05 | UNUSED                                 |             |
| J31•U36•06 | UNUSED                                 |             |
| J31•U36•07 | SEGMENT•E•ALL•WIRED•TOGETHER           |             |
| J31•U36•08 | SEGMENT•D•ALL•WIRED•TOGETHER           |             |
| J31•U36•09 | DECIMAL•PT•ALL•WIRED•TOGETHER          |             |
| J31•U36•10 | SEGMENT•C•ALL•WIRED•TOGETHER           |             |
| J31•U36•11 | SEGMENT•G•ALL•WIRED•TOGETHER           |             |
| J31•U36•12 | UNUSED                                 |             |
| J31•U36•13 | SEGMENT•B•ALL•WIRED•TOGETHER           |             |
| J31•U36•14 | DIRECT•SHORT•TO•PIN•3•OF•RESPECTIVE•IC |             |
| J37•01     | BUFFER•SWITCH•TO•U31•3,U31•14          |             |
| J37•02     | BUFFER•SWITCH•TO•U32•3,U32•14          |             |
| J37•03     | BUFFER•SWITCH•TO•U33•3,U33•14          |             |
| J37•04     | BUFFER•SWITCH•TO•U34•3,U34•14          |             |
| J37•05     | BUFFER•SWITCH•TO•U35•3,U35•14          |             |
| J37•06     | BUFFER•SWITCH•TO•U36•3,U36•14          |             |
| J37•07     | BUFFER•SWITCH•TO•SPEAKER•SP•1          |             |
| J37•08     | GND                                    |             |
| J37•09     | R61 R90                                |             |
| J37•10     | UNUSED                                 |             |
| J37•11     | UNUSED                                 |             |
| J37•12     | U27•21                                 |             |
| J37•13     | U27•22 A•V                             | DIS•ENA     |
| J37•14     | U27•23 A•X                             | ROW3        |
| J37•15     | U27•24                                 | ROW2        |
| J37•16     | +5V                                    | ROW1        |
|            |  | +5V         |
| J38•01     | U27•19                                 |             |
| J38•02     | RN1                                    |             |
| J38•03     | UNUSED                                 |             |
| J38•04     | UNUSED                                 |             |
| J38•05     | Q29                                    |             |
| J38•06     | U27•16                                 |             |
| J38•07     | GND                                    |             |
| J38•08     | U8•4 R76                               |             |
| J38•09     | U6•3 U3•3 U3•4 U3•5                    |             |
| J38•10     | RN2•SEG•G                              |             |
| J38•11     | U27•14 A•W                             |             |

SYM-1 IC INTERCONNECT REFERENCE LISTING

| IC/PIN# | POINTS TO WHICH IT IS CONNECTED | SIGNAL NAME |
|---------|---------------------------------|-------------|
| U38•12  | RN2•SEG•DP                      |             |
| U38•13  | U27•15 A•17                     |             |
| U38•14  | +5V                             |             |



APPENDIX 2 -

SYM-1 SIGNAL NAME CROSS REFERENCE LISTING

- Notes:
1. Signal source is shown by a single '\*'.
  2. Bidirectional (DATA) lines are shown by '\*\*'.

SYM=1 SIGNAL NAME CROSS REFERENCE LISTING

| SIG. NAME | WHERE IT OCCURS ON THE BOARD |   |
|-----------|------------------------------|---|
| +5V       | U1=16                        |   |
| +5V       | U2=14                        |   |
| +5V       | U3=14                        |   |
| +5V       | U4=14                        |   |
| +5V       | U5=08                        |   |
| +5V       | U6=08                        |   |
| +5V       | U7=14                        |   |
| +5V       | U8=14                        |   |
| +5V       | U9=14                        |   |
| +5V       | U10=16                       |   |
| +5V       | U11=16                       |   |
| +5V       | (U12=U19)=18                 |   |
| +5V       | (U20=23)=24                  |   |
| +5V       | U21=21                       |   |
| +5V       | U22=21                       |   |
| +5V       | U23=21                       |   |
| +5V       | U24=14                       |   |
| +5V       | U25=20                       |   |
| +5V       | U26=08                       |   |
| +5V       | U27=20                       |   |
| +5V       | U28=20                       |   |
| +5V       | U29=20                       |   |
| +5V       | U37=16                       |   |
| AA0=NOT   | U10=05*                      | WHEN THIS LINE IS LOW, THE ADDRESSES FROM |
| AA0=NOT   | U8=01                        | A000=A7FF ARE BEING SELECTED.             |
| AA0=NOT   | U25=23                       |   |
| AA0=NOT   | U27=37                       |   |
| AA8=NOT   | U1C=06*                      | WHEN THIS LINE IS LOW, THE ADDRESSES FROM |
| AA8=NOT   | U28=23                       | A800=A8FF ARE BEING SELECTED.             |
| AA8=NOT   | U29=23                       |   |
| AUDIOIN   | U26=03                       |   |
| AUDIOREF  | U26=02                       |   |
| A0        | U5=09*                       | THIS IS ADDRESS LINE A0                   |
| A0        | (U12=U19)=05                 |   |
| A0        | (U20=23)=08                  |   |
| A0        | U25=38                       |   |
| A0        | U27=07                       |   |
| A0        | U28=38                       |   |
| A0        | U29=38                       |   |
| A1        | U5=10*                       | THIS IS ADDRESS LINE A1                   |
| A1        | (U12=U19)=06                 |   |
| A1        | (U20=23)=07                  |   |
| A1        | U25=37                       |   |
| A1        | U27=06                       |   |
| A1        | U28=37                       |   |
| A1        | U29=37                       |   |
| A2        | U5=11*                       | THIS IS ADDRESS LINE A2                   |
| A2        | (U12=U19)=07                 |   |
| A2        | (U20=23)=06                  |   |
| A2        | U25=36                       |   |
| A2        | U27=05                       |   |
| A2        | U28=36                       |   |
| A2        | U29=36                       |   |
| A3        | U5=12*                       | THIS IS ADDRESS LINE A3                   |

SYM=1 SIGNAL NAME CROSS REFERENCE LISTING

| SIG.NAME | WHERE IT OCCURS ON THE BOARD |                          |
|----------|------------------------------|--------------------------|
| A3       | (U12=U19)=04                 |                          |
| A3       | (U20=23)=05                  |                          |
| A3       | U25=35                       |                          |
| A3       | U27=04                       |                          |
| A3       | U28=35                       |                          |
| A3       | U29=35                       |                          |
| A4       | U5=13*                       | THIS IS ADDRESS LINE A4  |
| A4       | (U12=U19)=03                 |                          |
| A4       | (U20=23)=04                  |                          |
| A4       | U27=03                       |                          |
| A5       | U5=14*                       | THIS IS ADDRESS LINE A5  |
| A5       | (U12=U19)=02                 |                          |
| A5       | (U20=23)=03                  |                          |
| A5       | U27=02                       |                          |
| A6       | U5=15*                       | THIS IS ADDRESS LINE A6  |
| A6       | (U12=U19)=01                 |                          |
| A6       | (U20=23)=02                  |                          |
| A6       | U27=40                       |                          |
| A7       | U5=16*                       | THIS IS ADDRESS LINE A7  |
| A7       | (U12=U19)=17                 |                          |
| A7       | (U20=23)=01                  |                          |
| A8       | U5=17*                       | THIS IS ADDRESS LINE A8  |
| A8       | (U12=U19)=16                 |                          |
| A8       | (U20=23)=23                  |                          |
| A9       | U5=18*                       | THIS IS ADDRESS LINE A9  |
| A9       | U7=05                        |                          |
| A9       | U9=09                        |                          |
| A9       | (U12=U19)=15                 |                          |
| A9       | (U20=23)=22                  |                          |
| A9=NOT   | U9=08*                       |                          |
| A9=NOT   | U27=36                       |                          |
| A10      | U1=01                        | THIS IS ADDRESS LINE A10 |
| A10      | U5=19*                       |                          |
| A10      | U9=01                        |                          |
| A10      | U27=38                       |                          |
| A10      | U29=24                       |                          |
| A10=NOT  | U9=02*                       |                          |
| A10=NOT  | U25=24                       |                          |
| A10=NOT  | U28=24                       |                          |
| A11      | U1=02                        | THIS IS ADDRESS LINE A11 |
| A11      | U5=20*                       |                          |
| A11      | U10=15                       |                          |
| A11      | U11=15                       |                          |
| A11      | U20=18                       |                          |
| A12      | U1=03                        | THIS IS ADDRESS LINE A12 |
| A12      | U5=22*                       |                          |
| A12      | U10=14                       |                          |
| A12      | U11=14                       |                          |
| A13      | U3=13                        | THIS IS ADDRESS LINE A13 |
| A13      | U5=23*                       |                          |
| A13      | U10=13                       |                          |
| A13      | U11=13                       |                          |
| A14      | U3=02                        | THIS IS ADDRESS LINE A14 |
| A14      | U5=24*                       |                          |

SYM=1 SIGNAL NAME CROSS REFERENCE LISTING

| SIG.NAME   | WHERE IT OCCURS ON THE BOARD |   |
|------------|------------------------------|---|
| A14        | U7=13                        |   |
| A14        | U9=13                        |   |
| A14=NOT    | U4=01                        |   |
| A14=NOT    | U9=12*                       |   |
| A15        | U3=01                        | THIS IS ADDRESS LINE A15                    |
| A15        | U4=02                        |   |
| A15        | U5=25*                       |   |
| A15        | U7=01                        |   |
| A15        | U25=17                       |   |
| BOXX       | U10=07*                      | WHEN LOW, ADDRESS 8000=87FF ARE SELECTED    |
| B8XX       | U10=09*                      | WHEN LOW, ADDRESS 8800=BFFF ARE SELECTED    |
| CA2=U25    | U8=02                        |   |
| COLA       | U27=08*                      | COLUMN A OF ONBOARD KEYPAD OR SEGMENT OF DI |
| COLB       | U27=09*                      | COLUMN B                                    |
| COLC       | U27=10*                      | COLUMN C                                    |
| COLD       | U27=11*                      | COLUMN D                                    |
| COLE       | U27=12*                      | COLUMN E                                    |
| COLF       | U27=13*                      | COLUMN F                                    |
| COLG       | U27=14*                      | COLUMN G                                    |
| CRTIN      | U27=16*                      |   |
| CRTOUT     | U27=19*                      |   |
| COXX       | U11=01*                      | WHEN LOW, ADDRESSES C000=C7FF ARE SELECTED  |
| C8XX       | U11=02*                      | WHEN LOW, ADDRESSES C800=CFFF ARE SELECTED  |
| DATA=IN    | U25=16                       |   |
| DATA=IN    | U26=07*                      |   |
| DBGU LATCH | U8=06                        | PART OF THE DEBUG FUNCTION... THE MEMORY    |
| DBGU LATCH | U8=09                        |   |
| DBGU OFF   | U8=04                        | WHEN BROUGHT LOW, DISABLES DEBUG FUNCTION   |
| DBGU ON    | U8=05                        | WHEN BROUGHT LOW, ENABLES DEBUG FUNCTION    |
| DBGU ON    | U8=08                        |   |
| DBGU ON    | U8=10                        |   |
| DEBUG=ON   | U7=09                        |   |
| DIS=ENA    | U27=21*                      | WHEN LOW, ENABLES THE ONBOARD DISPLAY       |
| DIS=ENA    | U37=12                       |   |
| DISABL=U10 | U10=12                       | WHEN HIGH, DISABLES MEMORY FROM 8000=BFFF   |
| DISABL=U10 | U4=3*                        |   |
| DISABL=U11 | U11=12                       | WHEN HIGH, DISABLES MEMORY FROM C000=FFFF   |
| DISABL=U11 | U7=12*                       |   |
| D0         | U5=33**                      | DATA LINE D0                                |
| D0         | (U12,14,16,18)=14**          |   |
| D0         | (U20=23)=09**                |   |
| D0         | U25=33**                     |   |
| D0         | U27=33**                     |   |
| D0         | U28=33**                     |   |
| D0         | U29=33**                     |   |
| D0XX       | U11=03**                     | WHEN LOW, ADDRESSES D000=D7FF ARE SELECTED  |
| D1         | U5=32**                      | DATA LINE D1                                |
| D1         | (U12,14,16,18)=13**          |   |
| D1         | (U20=23)=10**                |   |
| D1         | U25=32**                     |   |
| D1         | U27=32**                     |   |
| D1         | U28=32**                     |   |
| D1         | U29=32**                     |   |
| D2         | U5=31**                      | DATA LINE D2                                |

34

SYM=1 SIGNAL NAME CROSS REFERENCE LISTING

| SIG.NAME | WHERE IT OCCURS ON THE BOARD                       |
|----------|--|
| D2       | (U12,14,16,18)=12**                                |
| D2       | (U20=23)=11**                                      |
| D2       | U25=31**   |
| D2       | U27=31**   |
| D2       | U28=31**   |
| D2       | U29=31**   |
| D3       | U5=30** DATA LINE D3                               |
| D3       | (U12,14,16,18)=11**                                |
| D3       | (U20=23)=13**                                      |
| D3       | U25=30**   |
| D3       | U27=30**   |
| D3       | U28=30**   |
| D3       | U29=30**   |
| D4       | U5=29** DATA LINE D4                               |
| D4       | (U13,15,17,19)=14**                                |
| D4       | (U20=23)=14**                                      |
| D4       | U25=29**   |
| D4       | U27=29**   |
| D4       | U28=29**   |
| D4       | U29=29**   |
| D5       | U5=28** DATA LINE D5                               |
| D5       | (U13,15,17,19)=13**                                |
| D5       | (U20=23)=15**                                      |
| D5       | U25=28**   |
| D5       | U27=28**   |
| D5       | U28=28**   |
| D5       | U29=28**   |
| D6       | U5=27** DATA LINE D6                               |
| D6       | (U13,15,17,19)=12**                                |
| D6       | (U20=23)=16**                                      |
| D6       | U25=27**   |
| D6       | U27=27**   |
| D6       | U28=27**   |
| D6       | U29=27**   |
| D7       | U5=26** DATA LINE D7                               |
| D7       | (U13,15,17,19)=11**                                |
| D7       | (U20=23)=17**                                      |
| D7       | U25=26**   |
| D7       | U27=26**   |
| D7       | U28=26**   |
| D7       | U29=26**   |
| D8XX     | U11=04* WHEN LOW, ADDRESSES D800=DFFF ARE SELECTED |
| E0XX     | U11=05* WHEN LOW, ADDRESSES E000=E7FF ARE SELECTED |
| E8XX     | U11=06* WHEN LOW, ADDRESSES E800=FFFF ARE SELECTED |
| F0XX     | U11=07* WHEN LOW, ADDRESSES F000=F7FF ARE SELECTED |
| F8XX     | U11=09* WHEN LOW, ADDRESSES F800=FFFF ARE SELECTED |
| GND      | U1=04  |
| GND      | U1=05  |
| GND      | U1=08  |
| GND      | U2=07  |
| GND      | U3=07  |
| GND      | U4=07  |
| GND      | U5=01  |
| GND      | U5=21  |

SYM=1 SIGNAL NAME CROSS REFERENCE LISTING

| SIG.NAME  | WHERE IT OCCURS ON THE BOARD |  |
|-----------|------------------------------|--|
| GND       | U6=01                        |  |
| GND       | U7=07                        |  |
| GND       | U8=07                        |  |
| GND       | U9=07                        |  |
| GND       | U10=08                       |  |
| GND       | U11=08                       |  |
| GND       | (U12=U19)=09                 |  |
| GND       | (U20=23)=12                  |  |
| GND       | U21=18                       |  |
| GND       | U22=18                       |  |
| GND       | U23=18                       |  |
| GND       | U20=21                       |  |
| GND       | U24=07                       |  |
| GND       | U25=40                       |  |
| GND       | U26=01                       |  |
| GND       | U26=04                       |  |
| GND       | U27=01                       |  |
| GND       | U28=01                       |  |
| GND       | U29=01                       |  |
| IRQ=NOT   | U5=04                        | THE INTERRUPT REQUEST LINE, CAUSES AN IRQ  |
| IRQ=NOT   | U25=21*                      | INTERRUPT OF THE PROCESSOR WHEN LOW ONLY   |
| IRQ=NOT   | U27=25*                      | IF THE INTERRUPTS ARE ENABLED AT THE TIME  |
| IRQ=NOT   | U28=21*                      |  |
| IRQ=NOT   | U29=21*                      |  |
| MONRAMRW  | U27=35                       | MONITOR RAM RW LINE, WHEN LOW ALLOWS WRITE |
| NMI=NOT   | U5=06                        | NONMASKABLE INTERRUPT CAUSED WHEN LOW      |
| NMI=NOT   | U7=08*                       |  |
| PHASE=1   | U5=03*                       | PROCESSOR CLOCK PHASE 1                    |
| PHASE=2   | U2=03                        | PROCESSOR CLOCK PHASE 2                    |
| PHASE=2   | U5=39*                       |  |
| PHASE=2   | U25=25                       |  |
| PHASE=2   | U27=39                       |  |
| PHASE=2   | U28=25                       |  |
| PHASE=2   | U29=25                       |  |
| PHASE=2 N | U2=04                        | INVERTED PHASE 2 CLOCK                     |
| PHASE=2 N | U2=05                        |  |
| PHASE=2 O | U2=06                        | BUFFERED OUTPUT OF PHASE 2 CLOCK           |
| PHASE=2=N | U3=09                        |  |
| POR=NOT   | U7=02                        | POWER=ON RESET ACTIVE WHEN LOW             |
| POR=NOT   | U8=03*                       |  |
| POR=NOT   | U24=09                       |  |
| RAM=RW    | (U12,U13)=10                 | RAM READ=WRITE                             |
| RAM=RW    | U2=12*                       |  |
| RDY       | U5=02*                       | PROCESSOR READY LINE                       |
| RES       | U6=3*                        | RESET OUTPUT OF U6, WHEN HIGH INITIALIZES  |
| RES       | U3=03                        | PROCESSOR AND PERIPHERAL PARTS             |
| RES       | U3=04                        |  |
| RES       | U3=05                        |  |
| RES=NOT   | U3=06*                       |  |
| RES=NOT   | U25=34                       |  |
| RES=NOT   | U27=34                       |  |
| RES=NOT   | U28=34                       |  |
| RES=NOT   | U29=34                       |  |
| RN=NOT    | U7=11                        | NOT=MONITOR, IF HIGH, MON. IS NOT SELECTED |

SYM=1 SIGNAL NAME CROSS REFERENCE LISTING

| SIG.NAME  | WHERE IT OCCURS ON THE BOARD.                       |
|-----------|---|
| RN=NOT    | U24=08*   |
| RO        | U5=38* PROCESSOR RO LINE                            |
| POW0      | U27=15* ROW 0 OF THE ONBOARD KEYPAD                 |
| ROW1      | U27=24* ROW 1                                       |
| ROW1      | U37=15  |
| ROW2      | U27=23* ROW 2                                       |
| ROW2      | U37=14  |
| ROW3      | U27=22* ROW 3                                       |
| ROW3      | U37=13  |
| RST       | U5=40 ON THE LEADING EDGE OF A HIGH SIGNAL          |
| RST       | U6=02* CAUSES THE PROCESSOR POWER=ON RESET SEQUENCE |
| RW        | U2=08   |
| RW        | U2=11 THE READ=WRITE LINE, READ=HIGH, WRITE=LOW     |
| RW        | U3=10   |
| RW        | U3=11   |
| RW        | U5=34*  |
| RW        | U25=22  |
| RW        | U28=22  |
| RW        | U29=22  |
| RW=MON    | U8=11 MONITOR READ=WRITE, READ HIGH, WRITE=LOW      |
| RW=NOT    | U2=09   |
| RW=NOT    | U2=10   |
| RW=NOT    | U7=03   |
| RW=NOT    | U8=13   |
| SYNC      | U5=07* GOES HIGH FOR EACH ACCESS OF AN OPCODE       |
| SYNC      | U7=10   |
| TAPECNTL  | U25=19*   |
| TIMER=OUT | U6=03*  |
| TTYIN     | U27=17*   |
| TTYOUT    | U27=18*   |
| U21=SEL   | U24=06* WHEN LOW, IC U21 IS SELECTED                |
| U21=SEL   | U21=20  |
| U22=SEL   | U24=11* WHEN LOW, IC U22 IS SELECTED                |
| U22=SEL   | U22=20  |
| U23=SEL   | U24=03* WHEN LOW, IC U23 IS SELECTED                |
| U23=SEL   | U23=20  |
| WPM=NOT   | U7=04   |
| WPM=NOT   | U29=2*  |
| WPM=NOT   | U9=10   |
| WPM=NOT   | U9=11   |
| WP1K=NOT  | U4=04   |
| WP2K=NOT  | U4=12   |
| WP3K=NOT  | U4=09   |
| WRITE     | U2=13   |
| WRITE     | U3=08*  |
| WRITE     | U4=05   |
| WRITE     | U4=10   |
| WRITE     | U4=13   |
| WRITE=MON | U7=06*  |
| WRITE=MON | U8=12   |
| WRITE=NOT | U2=12   |
| WR1=NOT   | U4=06*  |
| WR1=NOT   | (U14,U15)=10  |
| WR2=NOT   | U4=11* WRITE CONTROL 0800=0BFF, WRITES IF LOW       |

SYM=1 SIGNAL NAME CROSS REFERENCE LISTING

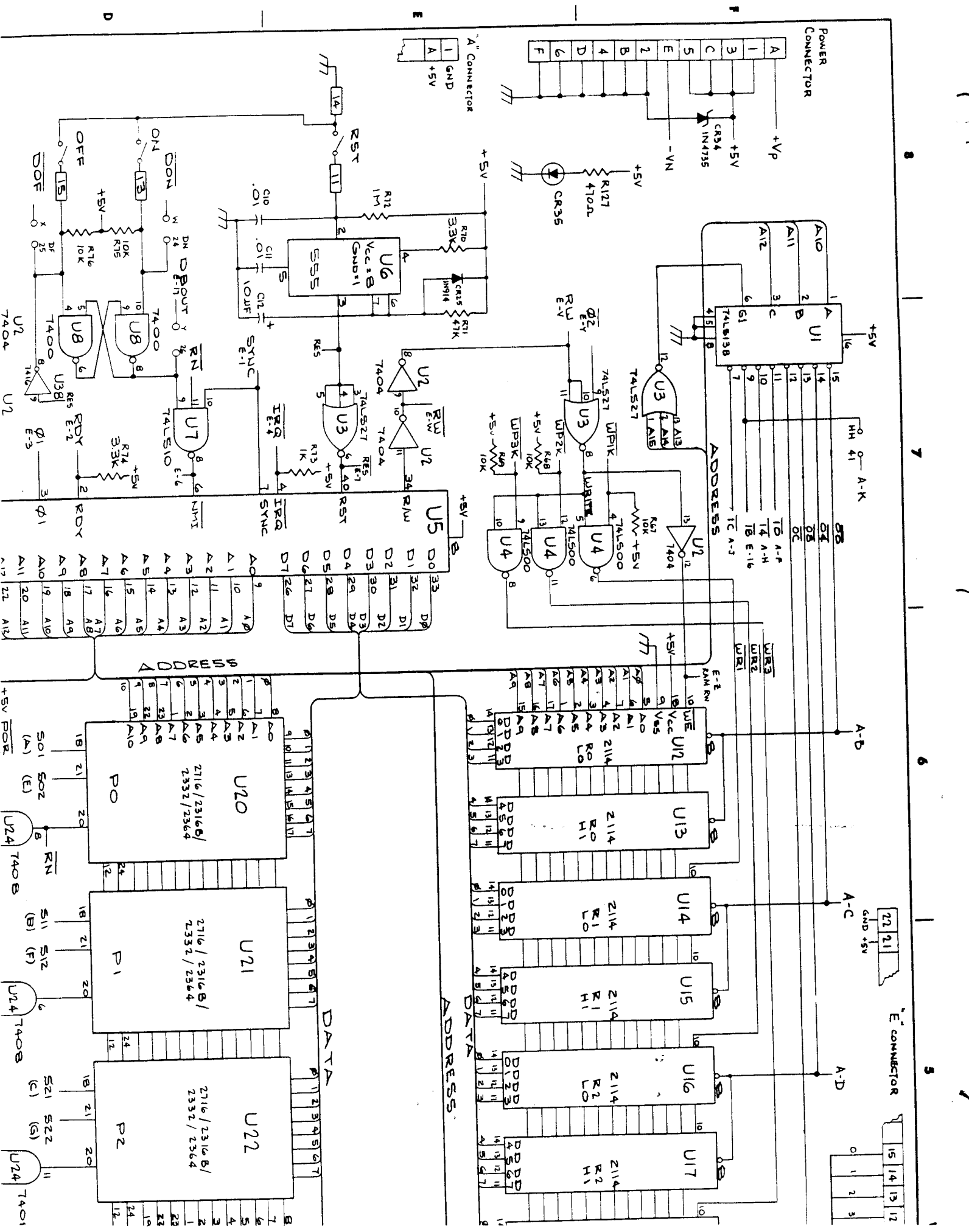
| SIG.NAME   | WHERE IT OCCURS ON THE BOARD |  |
|------------|------------------------------|--|
| WP2=NOT    | (U16,U17)=10                 |  |
| WR3=NOT    | U4=08                        | WRITE CONTROL 0C00=0FFF, WRITES IF LOW |
| WR3=NOT    | (U18,U19)=10                 |  |
| XTAL       | U5=37                        | TIMING CRYSTAL, HEART OF THE SYSTEM    |
| 0C         | U1=12*                       | WHEN LOW, 0C00=0FFF ARE SELECTED       |
| 0C         | (U18,U19)=08                 |  |
| 00         | U1=15                        | WHEN LOW, 0000=03FF ARE SELECTED       |
| 00         | (U12,U13)=08                 |  |
| 04         | U1=14                        | WHEN LOW, 0400=07FF ARE SELECTED       |
| 04         | (U14,U15)=08                 |  |
| 08         | U1=13                        | WHEN LOW, 0800=0BFF ARE SELECTED       |
| 08         | (U16,U17)=08                 |  |
| 1/4 8K SEL | U1=06                        | WHEN LOW, 0000=3FFF ARE SELECTED       |
| 1/4 8K SEL | U3=12*                       |  |
| 1C         | U1=07*                       | WHEN LOW, 1C00=1FFF ARE SELECTED       |
| 10         | U1=11*                       | WHEN LOW, 1000=13FF ARE SELECTED       |
| 14         | U1=10*                       | WHEN LOW, 1400=17FF ARE SELECTED       |
| 18         | U1=09*                       | WHEN LOW, 1800=1BFF ARE SELECTED       |
| 3/4 8K SEL | U4=03*                       | WHEN LOW, 8000=8FFF ARE SELECTED       |
| 3/4 8K SEL | U10=1                        |  |
| 4/4 8K SEL | U7=12*                       | WHEN LOW, C000=FFFF ARE SELECTED       |
| 4/4 8K SEL | U11=12                       |  |
| 80XX       | U24=10                       | WHEN LOW, 8000=87FF ARE SELECTED       |
| 80XX       | U10=01*                      |  |
| 88XX       | U10=02*                      | WHEN LOW, 8900=8FFF ARE SELECTED       |
| 90XX       | U10=03*                      | WHEN LOW, 9000=97FF ARE SELECTED       |
| 98XX       | U10=04*                      | WHEN LOW, 9800=9FFF ARE SELECTED       |



APPENDIX 3 -

SYM-1 SCHEMATIC DIAGRAM\*

\*Permission to include in this volume  
provided courtesy of Synertek Systems Corp.



D

E

F

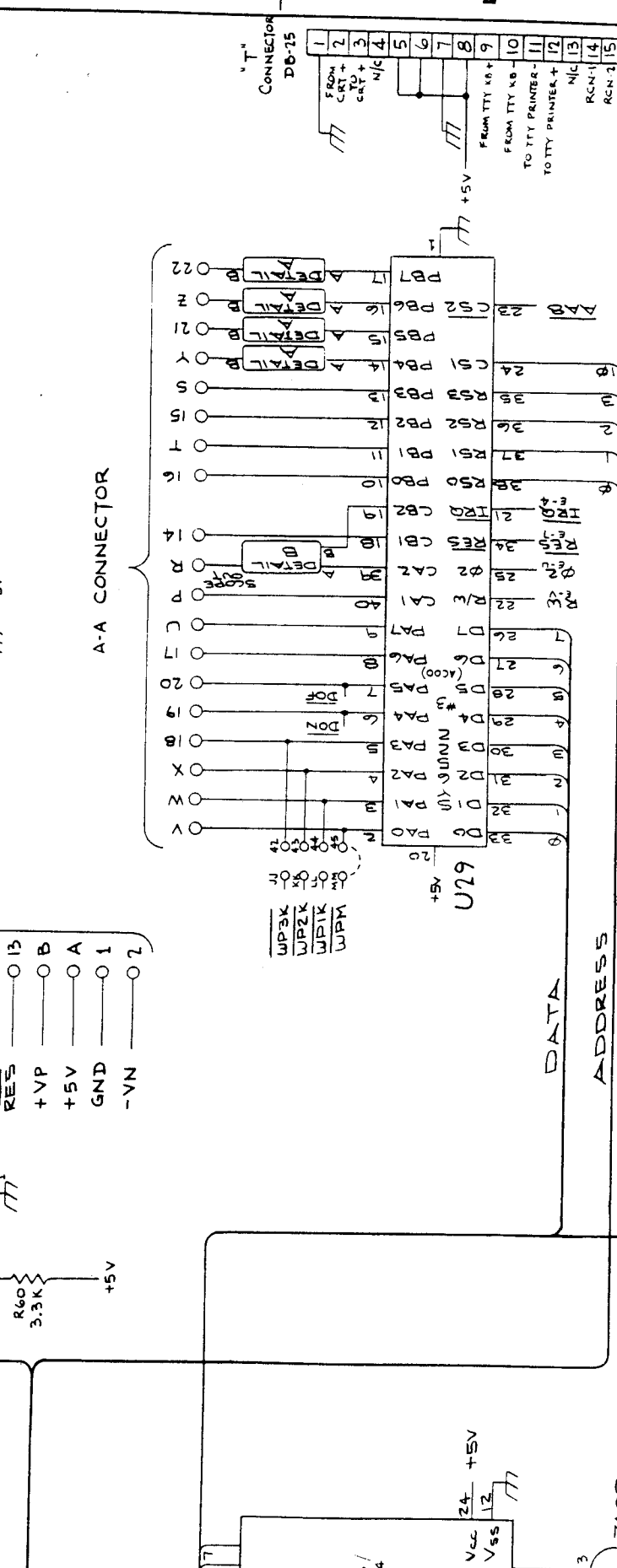
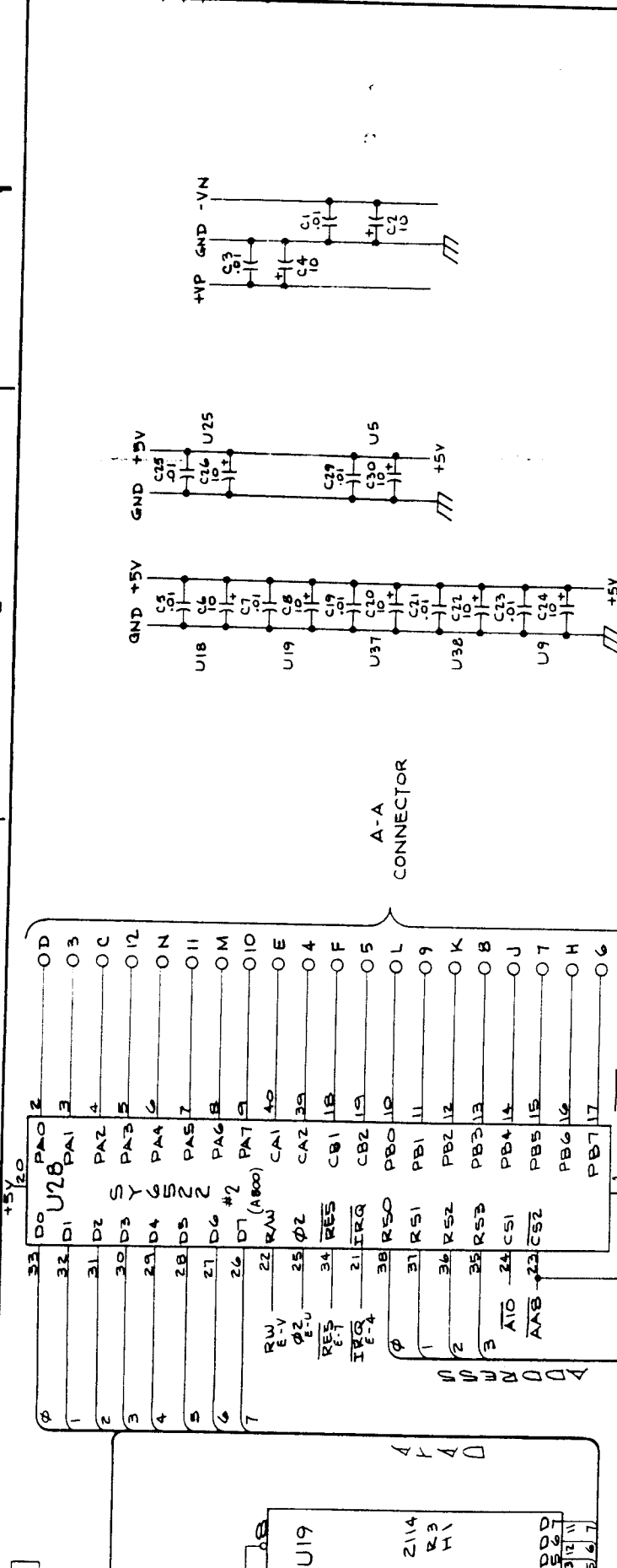
8

7

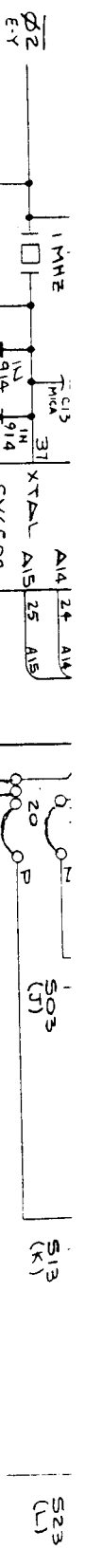
6

5

1  
2  
3



F  
E  
D

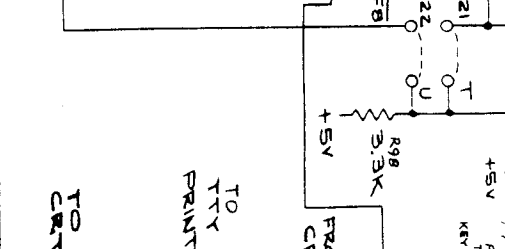
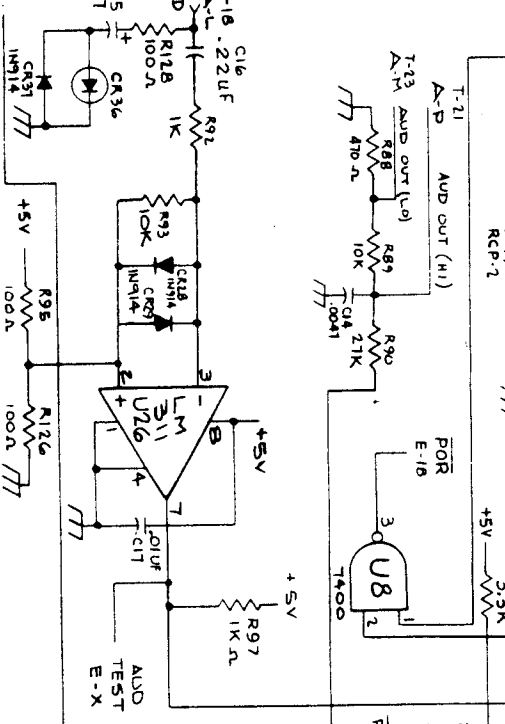
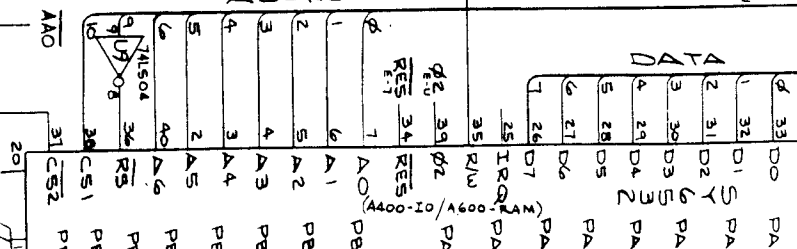
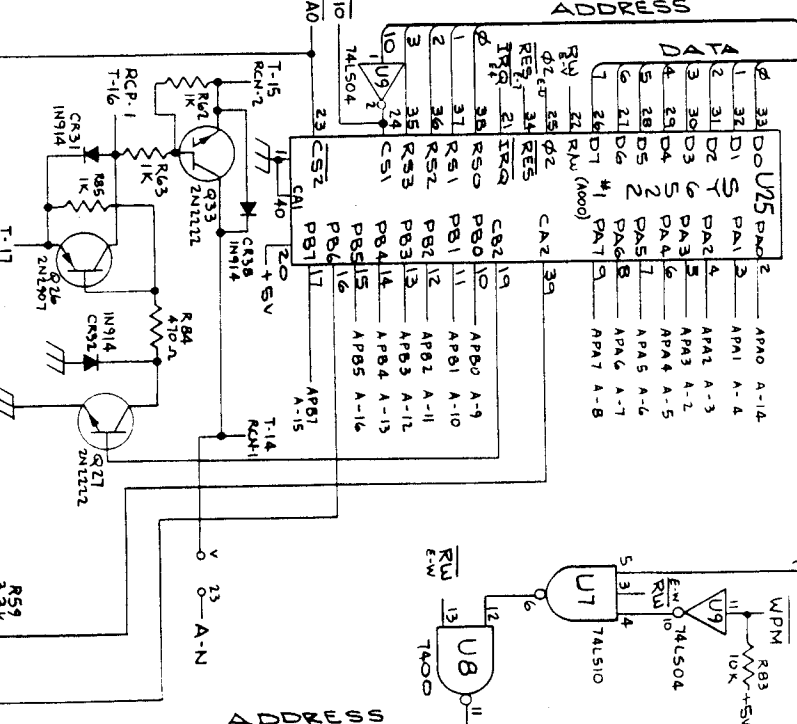
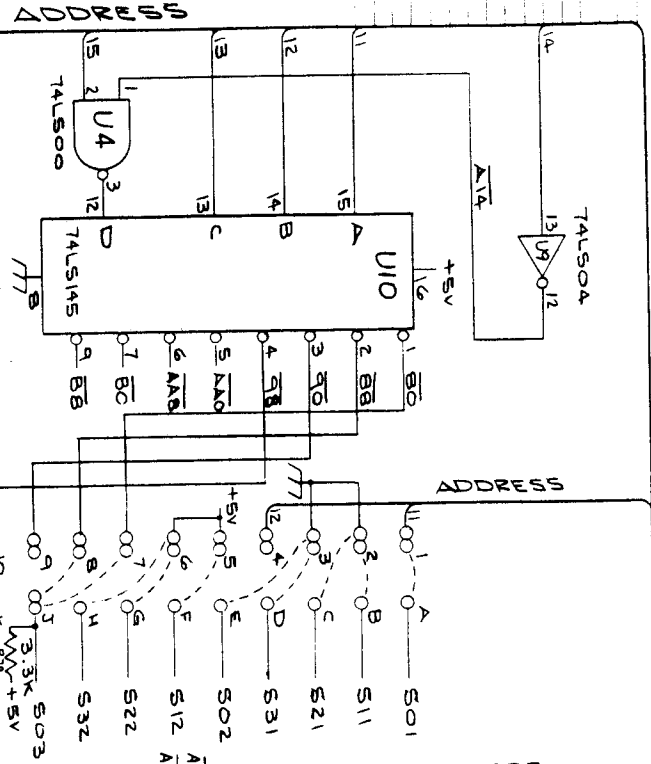
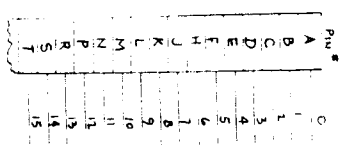


E' CONNECTOR

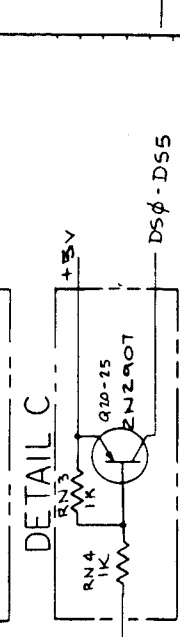
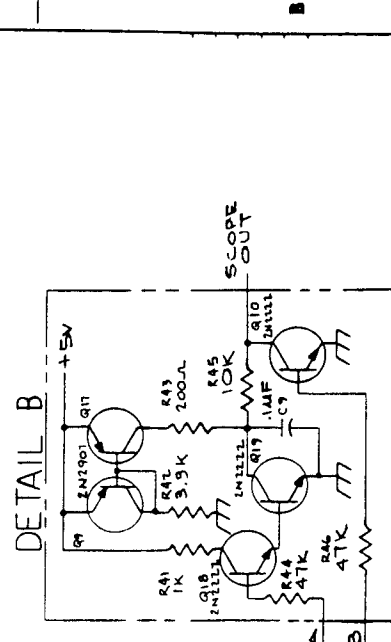
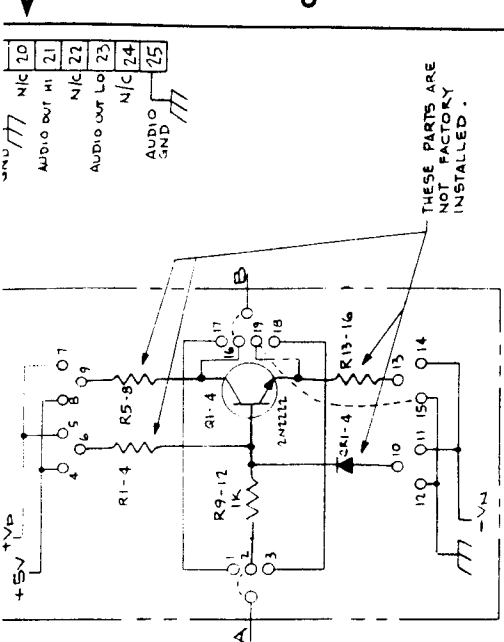
ADDRESS

DATA

U27



|    |              |
|----|--------------|
| 20 | N/C          |
| 21 | AUDIO OUT HI |
| 22 | N/C          |
| 23 | AUDIO OUT LO |
| 24 | N/C          |
| 25 | AUDIO GND    |



REF. DESIGNATIONS NOT USED:  
 R17-40, Q1-66, R69, R115, CR5-24, Q5-8, Q11-16, C27, 28  
 R47-58, R115-112, R101, 105, 106, 109, 112, 113, 117, 94, 96  
 LAST REF. DESIGN. USED:  
 JUMPER-47, MM R128 Q35 CR37 C16 U30 RN 4

