

NOTES: UNLESS OTHERWISE SPECIFIED:  
 1. SEE SHEET 2 FOR SEQUENTIAL LOGIC.  
 2. THESE DRAWINGS DESCRIBE THE LOGIC OF THE  
 HMMBRE I.C. SPECIFIED IN T.I. PART NO. 1049723  
 3. THE PIN ASSIGNMENTS ARE AS FOLLOWS:

PIN #	I/O	BUFFER TYPE	PIN NAME	FUNCTION
1	O	B72A	YESR*	ACTIVE LO VDP CHIP READ CS
2	I	B72A	YESW*	ACTIVE LO VDP CHIP WRITE CS
3	I	B71A	NO	CPU ADDRESS BUS LINE
4	I	B71A	A1	CPU ADDRESS BUS LINE
5	I	B71A	A2	CPU ADDRESS BUS LINE
6	I	B71A	A3	CPU ADDRESS BUS LINE
7	I	B71A	A4	CPU ADDRESS BUS LINE
8	I	B71A	A5	CPU ADDRESS BUS LINE
9	I	B72A	ROMG*	ACTIVE LO DECIDE FOR COMMAND MODULE ROM MEMORY SPACE GROUND
10	O	B72A	QAD	ACTIVE LO 4K INTERNAL ROM CS
11	O	B72A	ROMEN*	ACTIVE LO CPU SCRATCHPAD RAM DIP SELECT
12	O	B72A	ROMCS*	ACTIVE TO INS9901 CHIP SELECT CPU DATA BUS DIRECTION CONTROL SIGNAL. HI = DATA TO CPU, LO = DATA FROM CPU
13	O	B72A	UNOCS*	CPU MEMORY ENABLE CONTROL SIGNAL (ACTIVE LO)
14	I	B71A	DEIN	CPU MEMORY WRITE ENABLE (ACTIVE LO)
15	I	B71A	MEMEN*	ACTIVE LO MEMORY BLOCK ENABLE FOR I/O PORT PERIPHERAL PASSED MEMORY SYSTEM
16	I	B71A	CHER	ACTIVE TO GROM CHIP SELECT CS DATA BUS DRIVER ENABLE
17	O	B72A	MBE#	ACTIVE TO SOUND CHIP SELECT ACTIVE HI SPEEDY BLOCK ENABLE TO I/O TEST
18	O	B72A	GC5*	UNSYNCHRONIZED RESET (ACTIVE LO) GROM CHIP READY OUTPUT NORMALLY LO
19	O	B72A	GC6*	3MHz CLOCK PULSE #2, ACTIVE LO
20	O	B72A	SNDOSK	2.5MHz CRYSTAL
21	O	B72A	VCC	3MHz CLOCK PULSE #1, ACTIVE LO
22	O	B72A	SBE	3MHz CRYSTAL
23	O	B72A	URST*	3MHz CRYSTAL
24	I	B71A	GRY	3MHz CRYSTAL
25	I	B71A	FRIZ*	3MHz CRYSTAL
26	I	B71A	PRIZ*	3MHz CRYSTAL
27	O	B72A	CPARY	3MHz CRYSTAL
28	O	B71A	CHIK*	3MHz CRYSTAL
29	I	B71A	INIT*	3MHz CRYSTAL
30	I	B71A	STRY	3MHz CRYSTAL
31	O	B72A	SLD	3MHz CRYSTAL
32	O	B72A	ALD	3MHz CRYSTAL
33	I	B71A	CAOUT	3MHz CRYSTAL
34	I	B71A	CRVOUT	3MHz CRYSTAL
35	O	B72A	LVREN*	3MHz CRYSTAL
36	O	B72A	LVENK*	3MHz CRYSTAL
37	O	B72A	MBVEN*	3MHz CRYSTAL
38	O	B72A	MBK*	3MHz CRYSTAL
39	O	B72A	MBD*	3MHz CRYSTAL
40	O	B72A	VCC	3MHz CRYSTAL

DESIGNATION	
USED	1

5 4 3 1

REV	DESCRIPTION	DATE	APVD	REV	DESCRIPTION	DATE	APVD
					1049745		
A	FORMAL RELEASE						
	DRAWING NO. 1049745						
	DRAWING NO. 1049745						
	DRAWING NO. 1049745						
	DRAWING NO. 1049745						
	DRAWING NO. 1049745						
	DRAWING NO. 1049745						
	DRAWING NO. 1049745						
	DRAWING NO. 1049745						

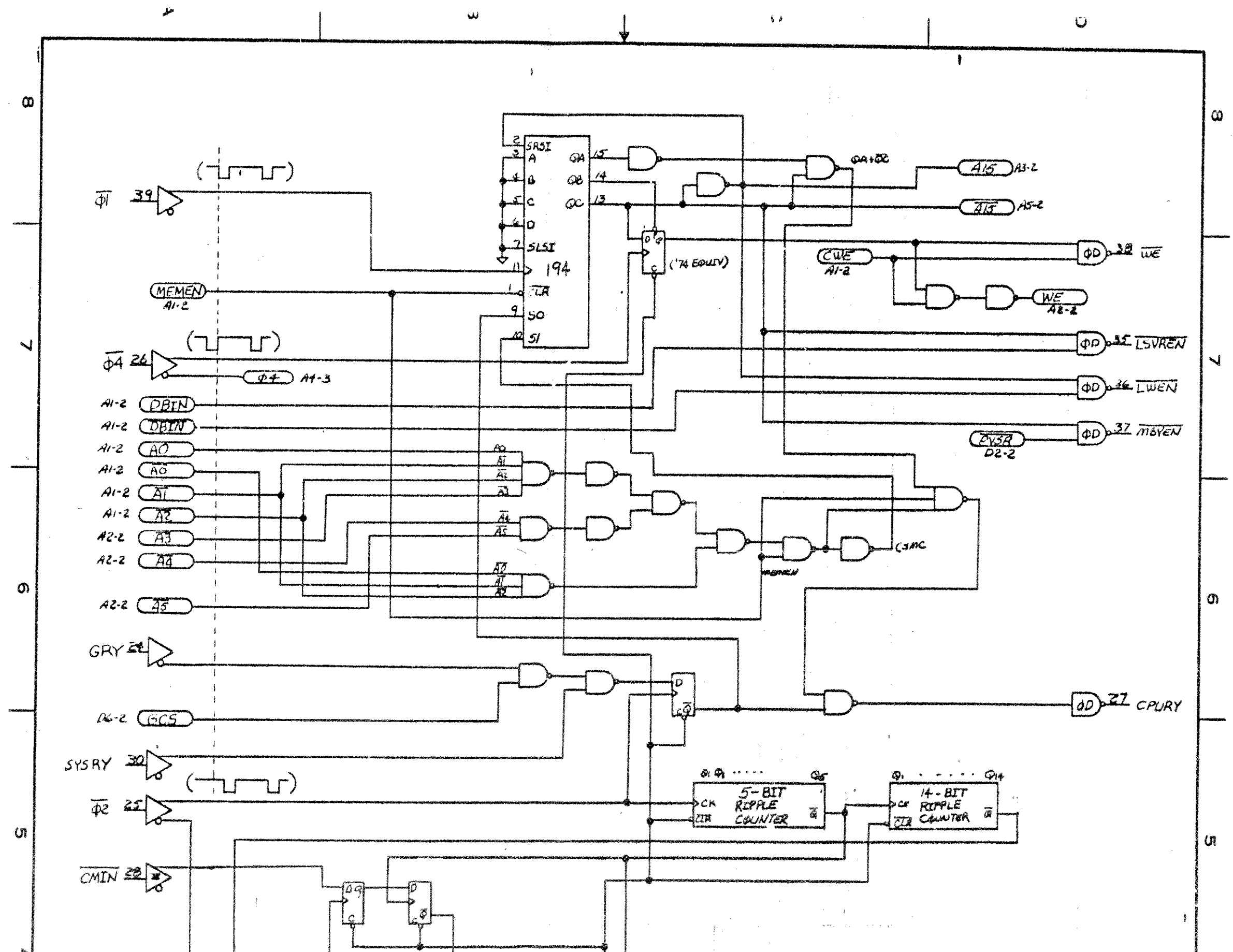
FORMAL RELEASE

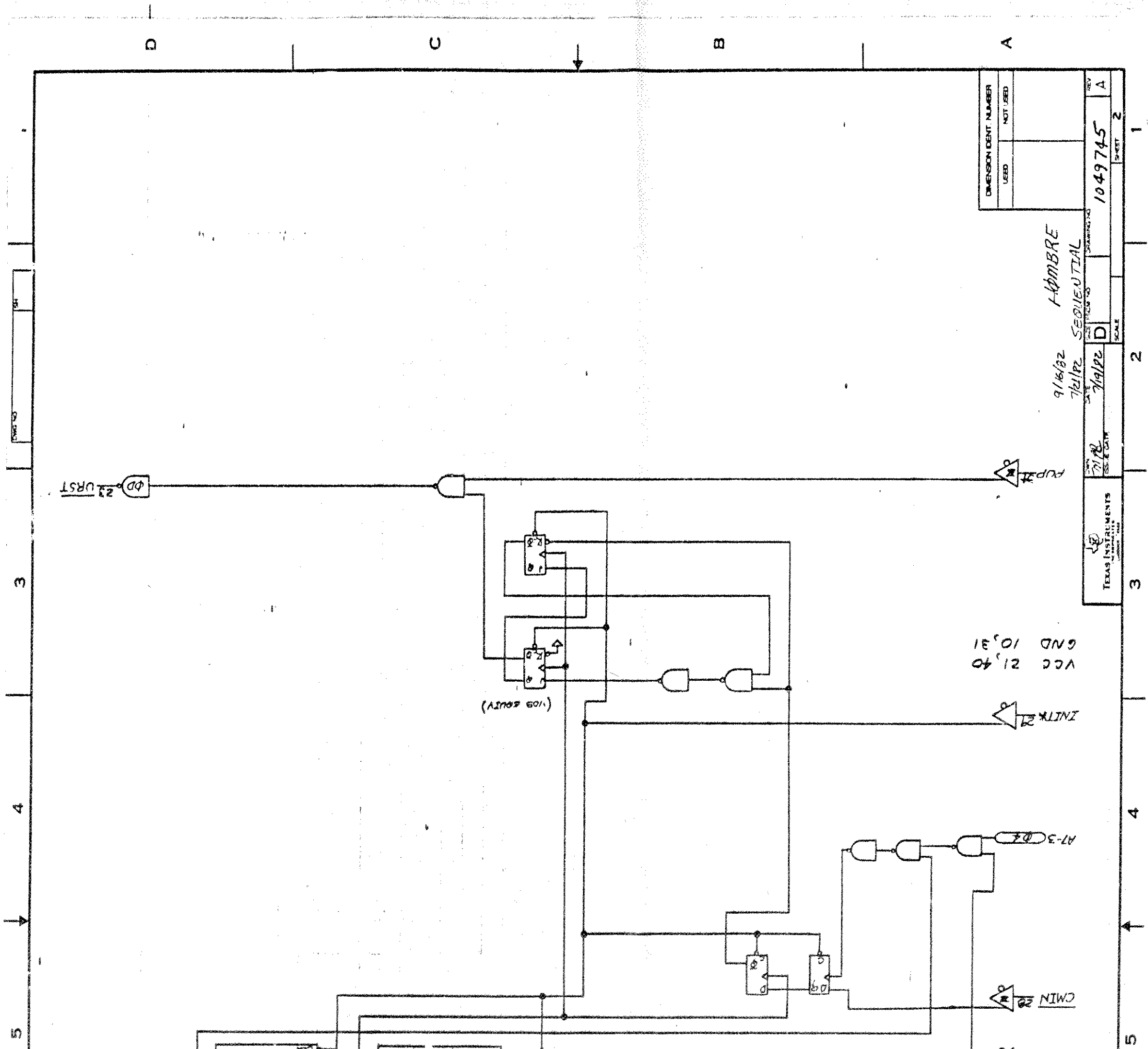
ITEM NO.		PART NUMBER	DESCRIPTION	MATERIAL	REMARKS
PART NUMBER					
DIMENSION IDENT NUMBER		UNLESS OTHERWISE SPECIFIED • DIMENSIONS ARE IN MILLIMETERS • TOLERANCES ANGLES & 1" 2 PLACE DECIMALS & 1/16" 1 PLACE DECIMALS & 1/32" DIMENSIONING IN ACCORDANCE WITH ANSI Y 14.5			
USED					
NOT USED		PARTS LIST OWN DATE BY M. K... 2/13/72 CHECKED BY M. T... 2-22-72 DESIGNED BY M. T... 2-23-72 APPROVED BY M... 2/24/73 DRAWING NO. 1049745			
NEXT ASSY		SCALE N DRAWING NO. 1049745			
USED ON		SCALE N DRAWING NO. 1049745			
APPLICATION		SCALE N DRAWING NO. 1049745			
5		4		3	
5		4		3	
5		4		3	
5		4		3	

5 4 3 2 1

5	4	3	2	1
CLASS CODE 22				
SHEET 1 OF 3				
DRAWING NO. 1049745				
SCALE N				
DRAWING NO. 1049745				
SHEET 1 OF 3				

D C B A





VCC 21, 40  
GND 10, 31

RUPST

INTX 21

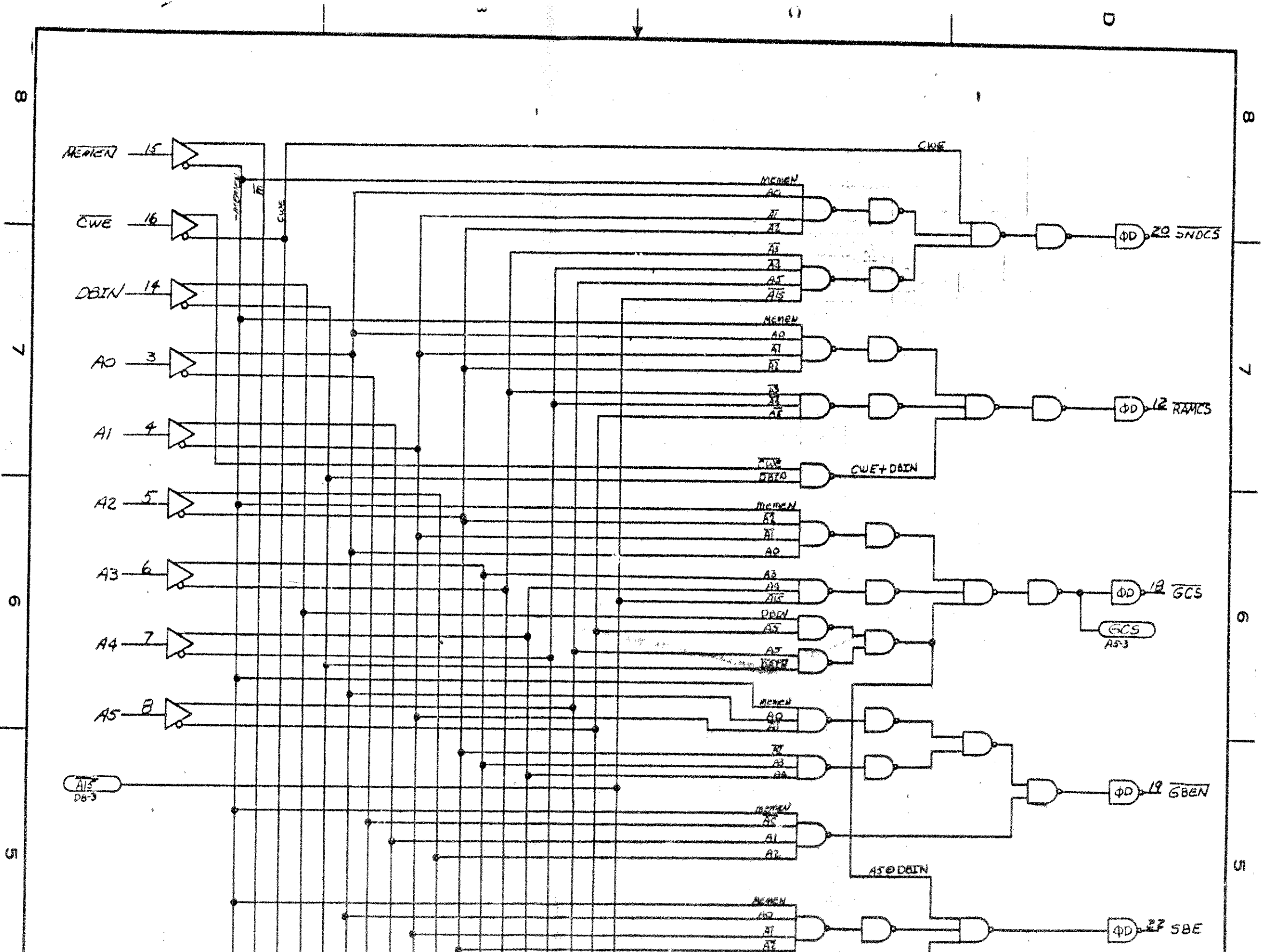
CWIN 20

DIMENSION IDENT. NUMBER	
USED	NOT USED

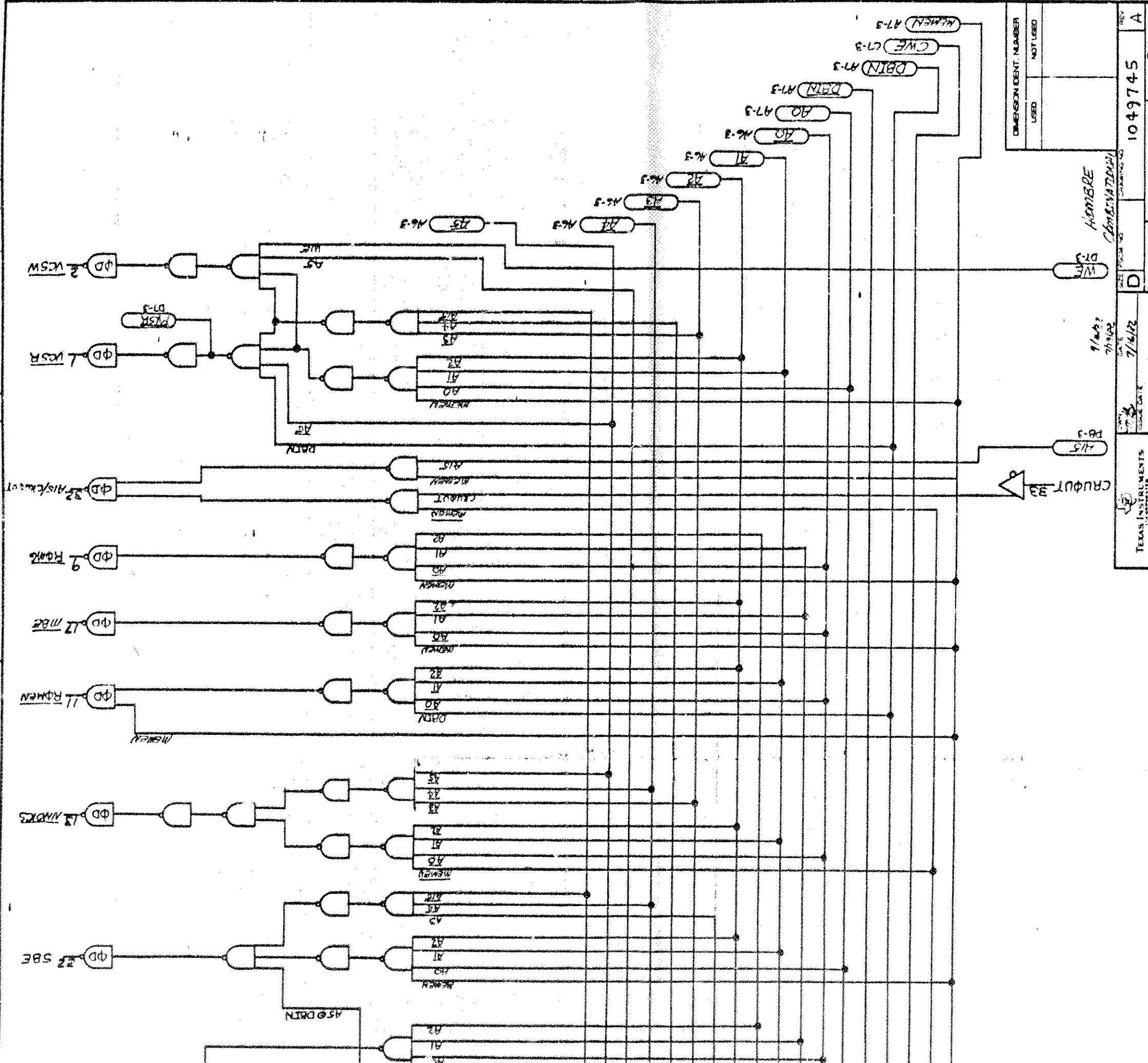
9/16/72  
7/21/72  
7/19/72

HOMBRE  
SEQUENTIAL

DATE	DESIGNED BY	REV
9/16/72	HOMBRE	A
7/21/72	7/19/72	2
7/19/72	1049745	1
SCALE		SHEET
		2
TEXAS INSTRUMENTS		



1  
2  
3  
4  
5



DIMENSION IDENT. NUMBER	USED	NOT USED
DATE		REV
7/1/52		A
DATE		REV
7/1/52		A
SCALE		SHEET 3
D		1049745
TEXAS INSTRUMENTS		

A  
B  
C  
D  
1  
2  
3  
4  
5