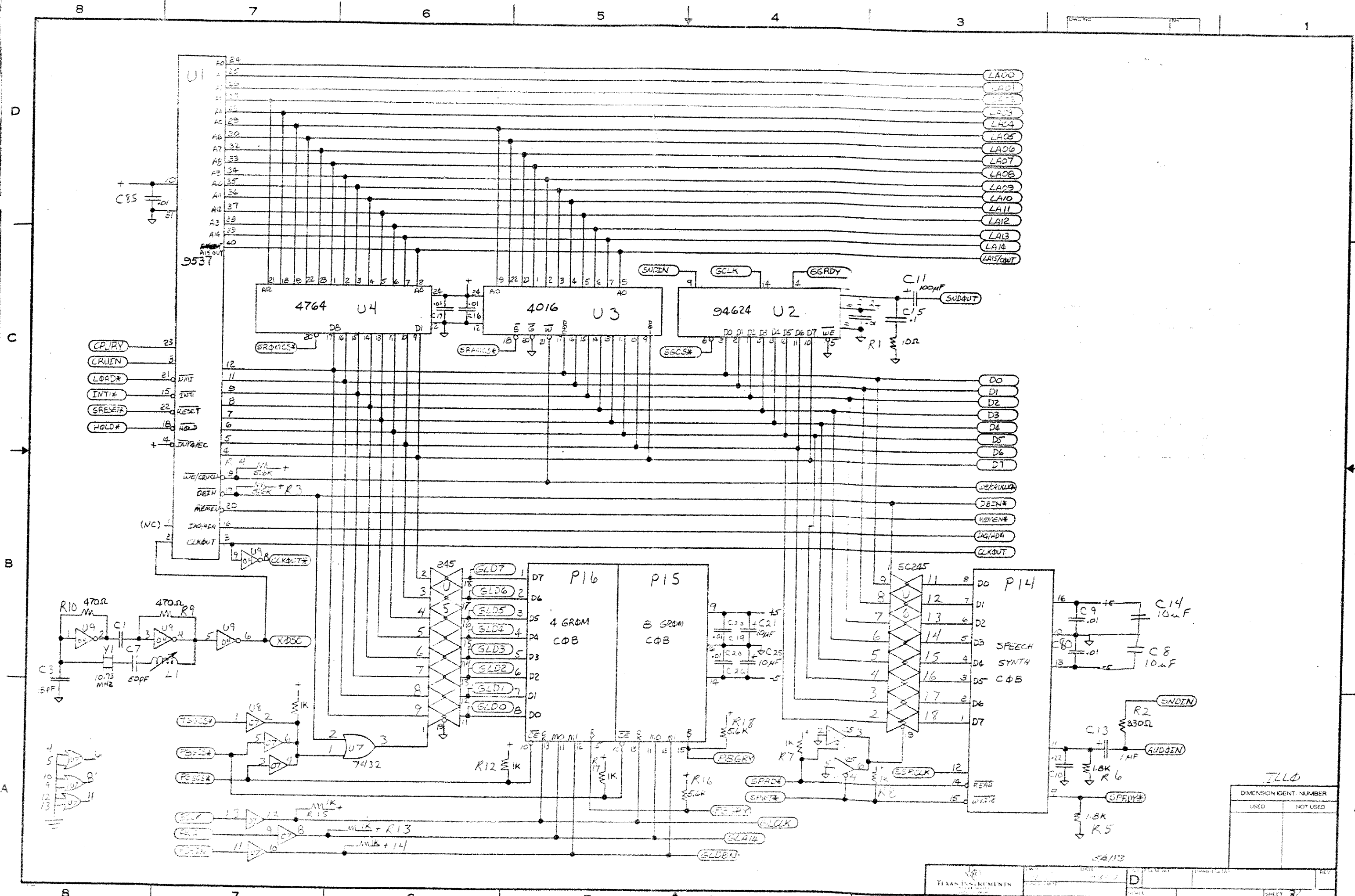


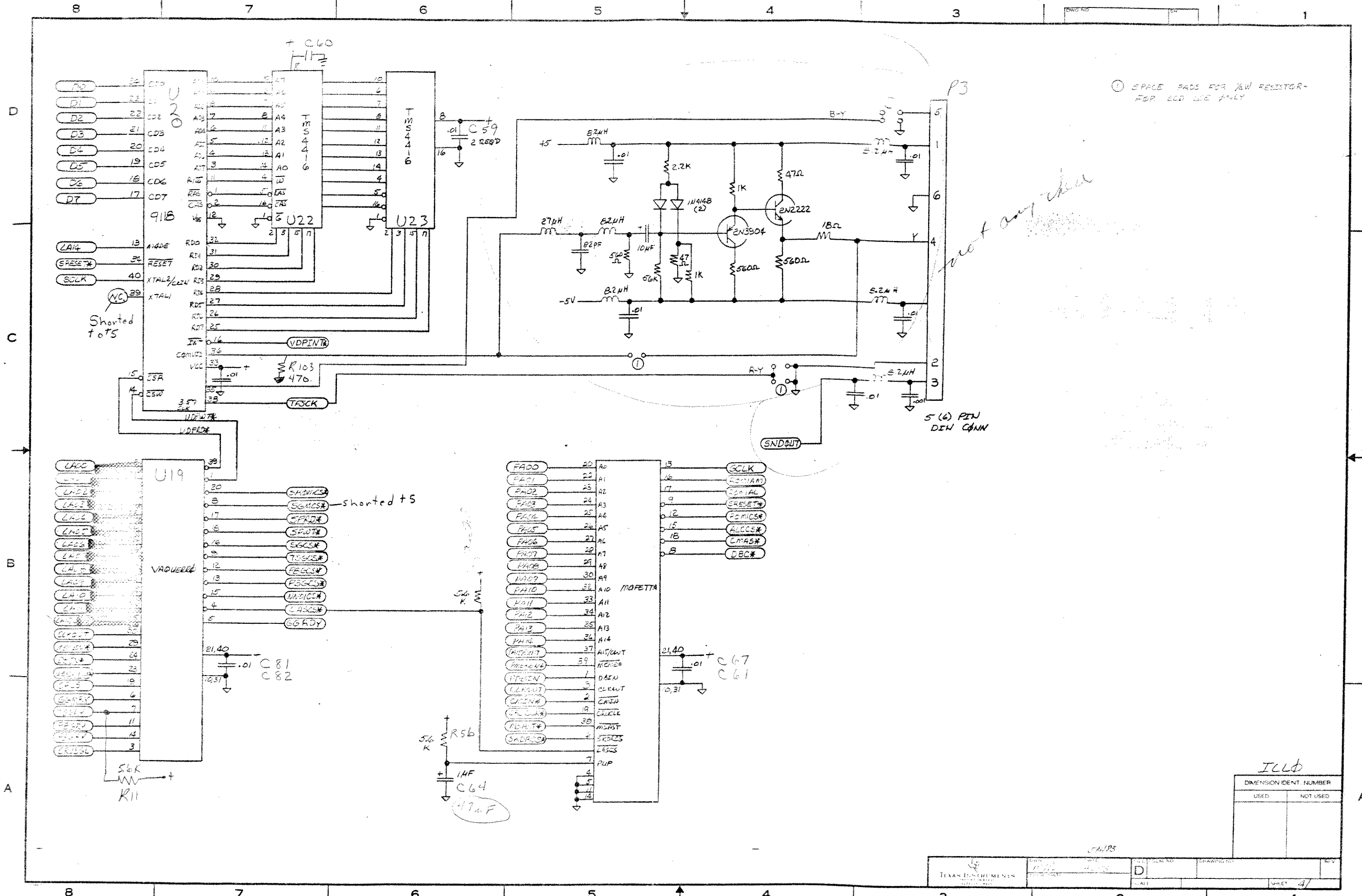
ARMADILLO DATA FLOW

DIMENSION IDENT. NUMBER	
USED	NOT USED



ILLD

DIMENSION IDENT. NUMBER	
USED	NOT USED



① SPACE PADS FOR 1/4W RESISTOR - FOR BCD USE ONLY

not any other

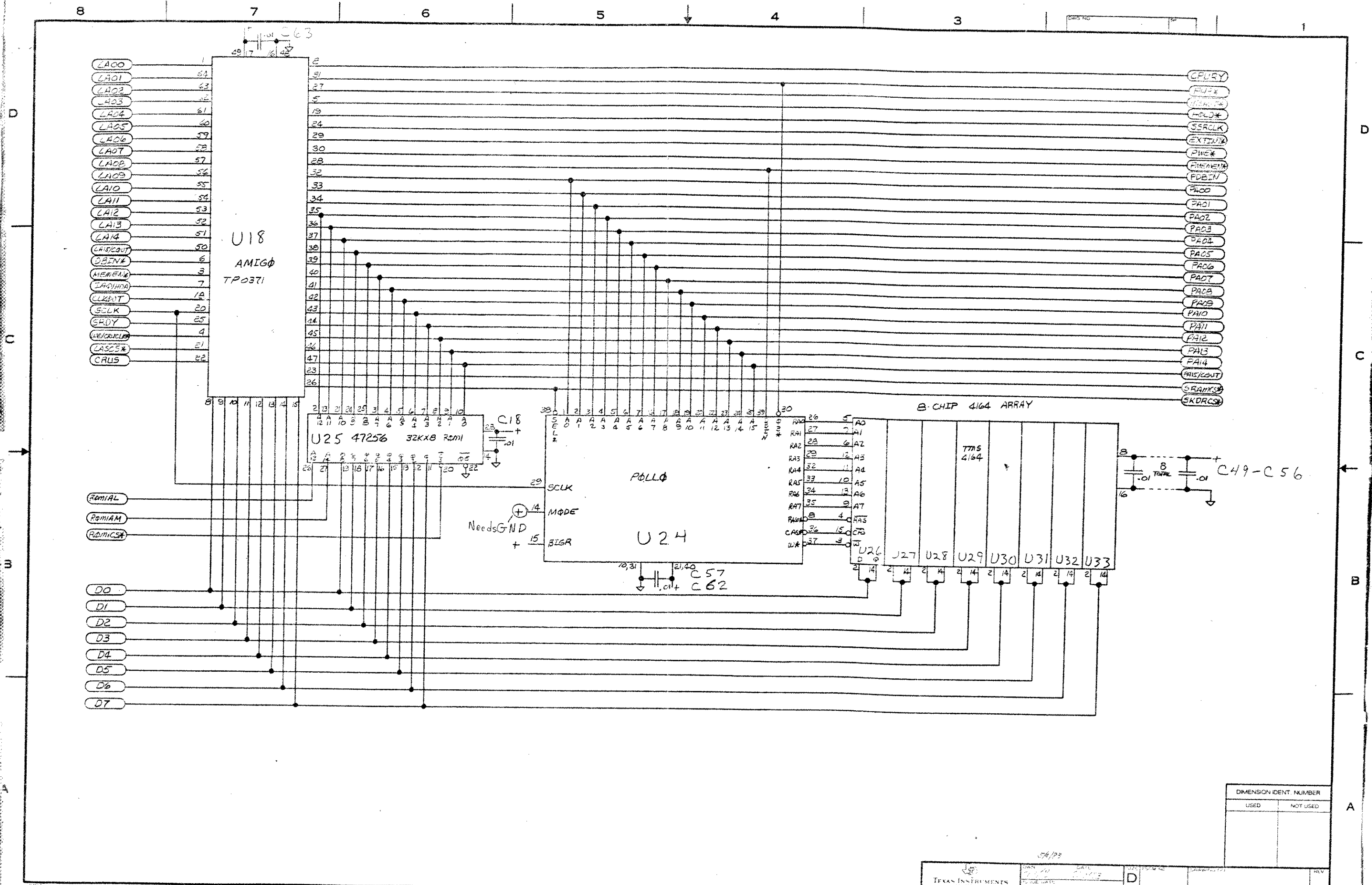
5 (6) PIN DIN CANN

Shorted to 5

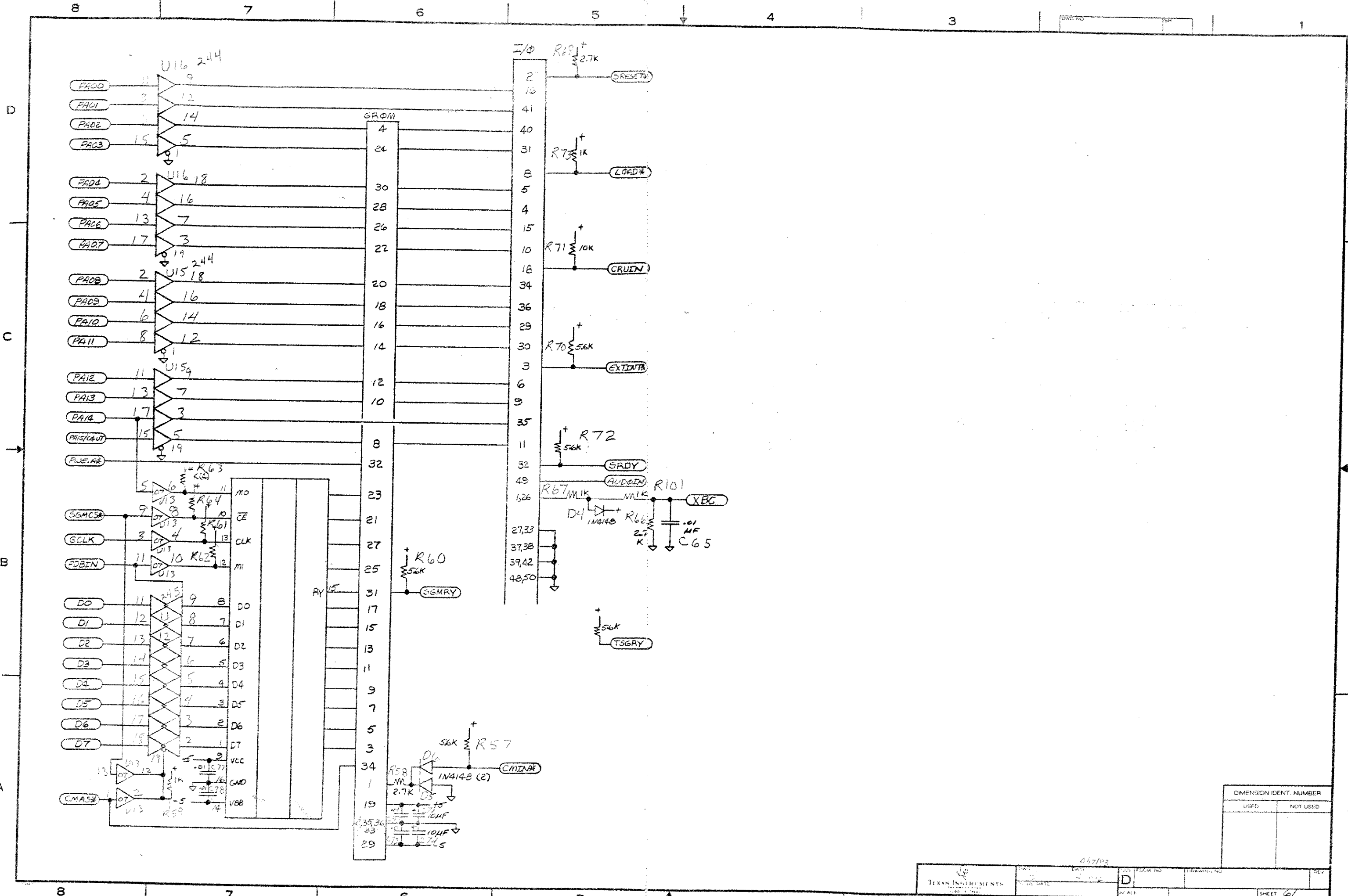
shorted +5

ILLD

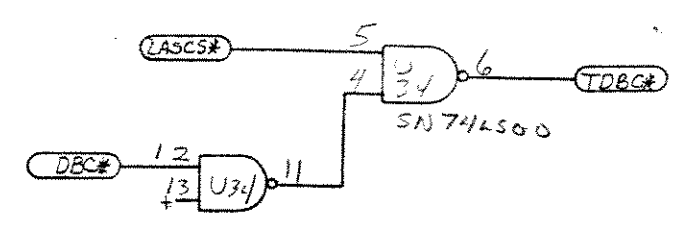
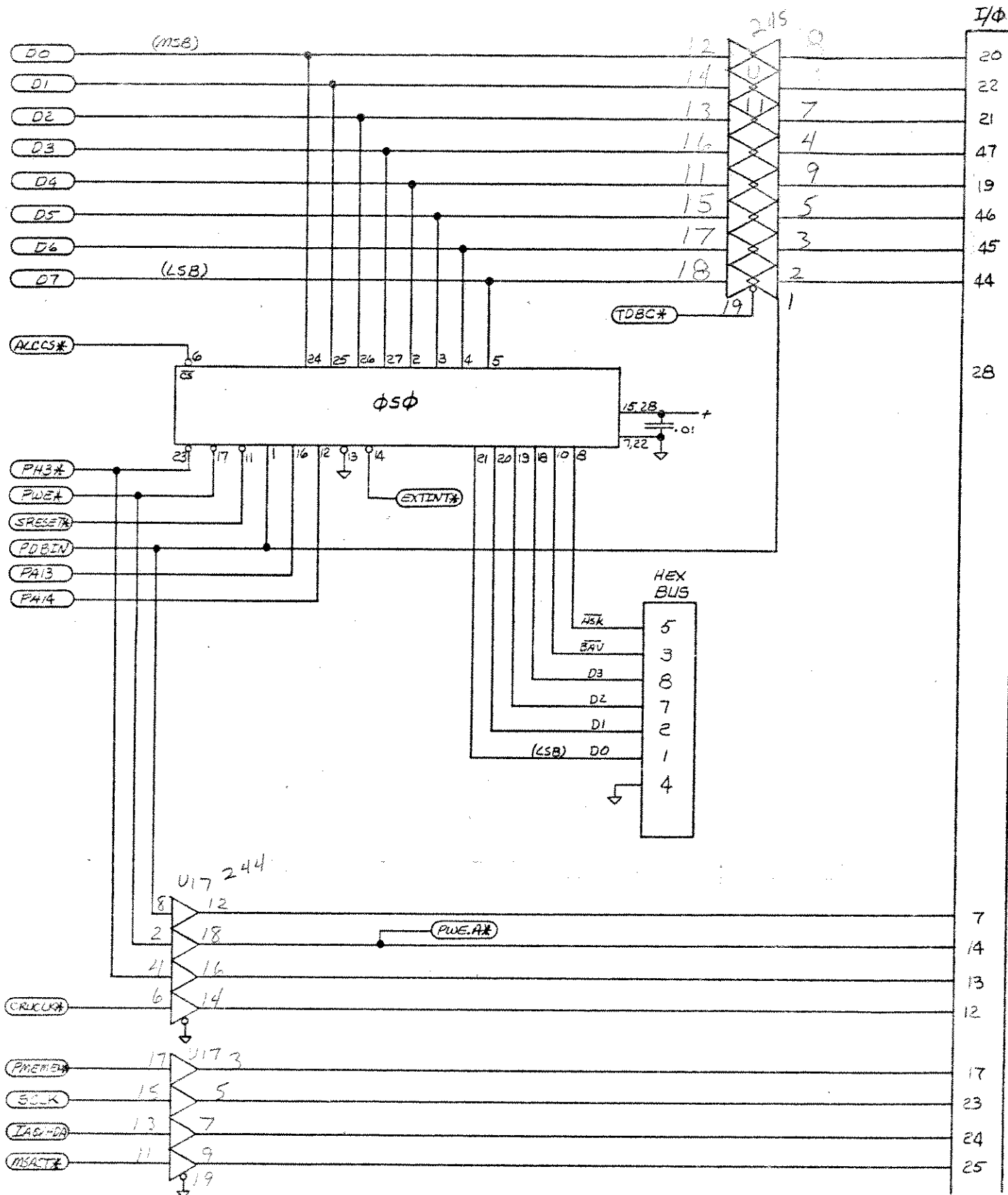
DIMENSION IDENT. NUMBER	
USED	NOT USED



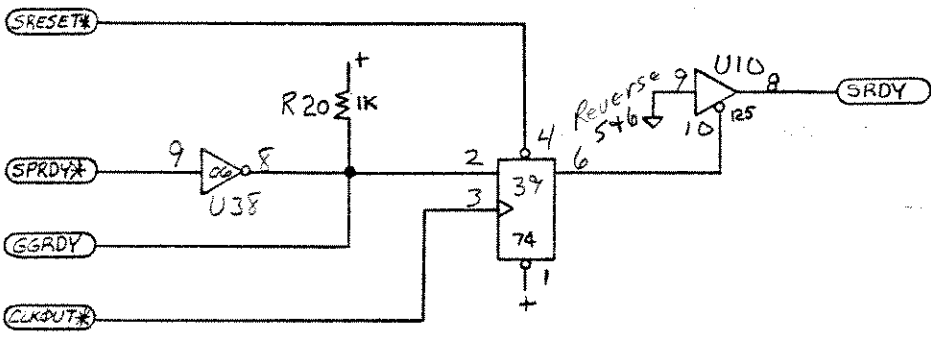
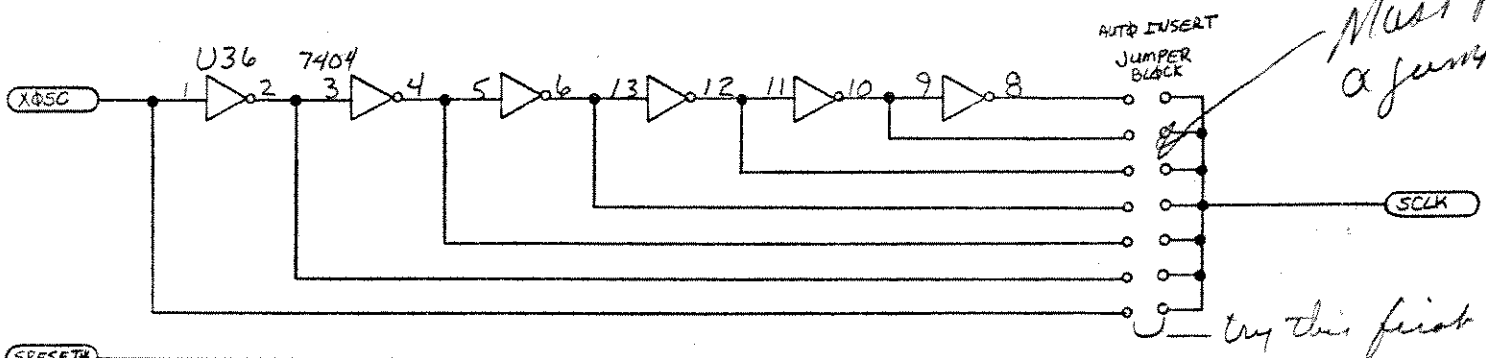
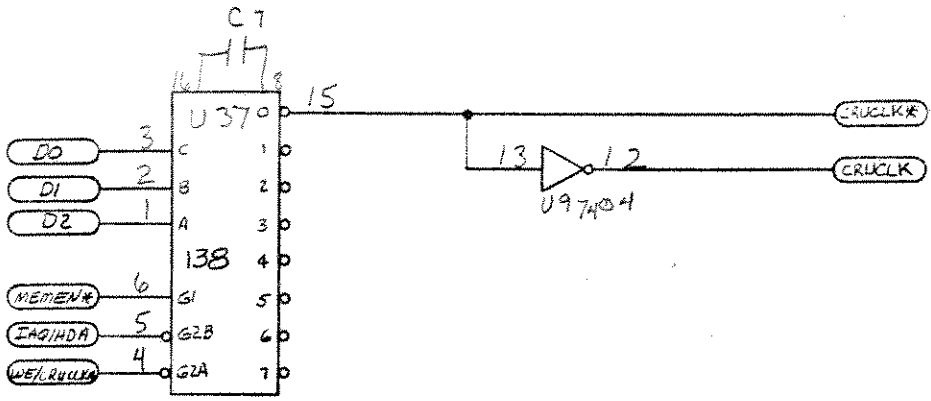
DIMENSION IDENT NUMBER	
USED	NOT USED



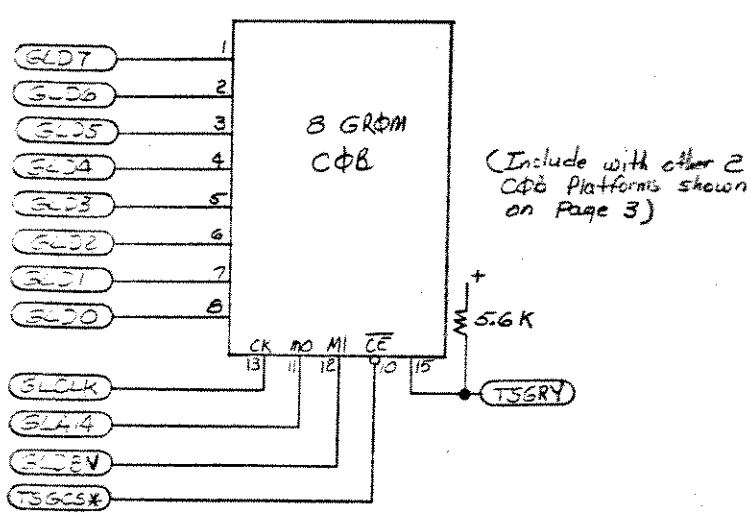
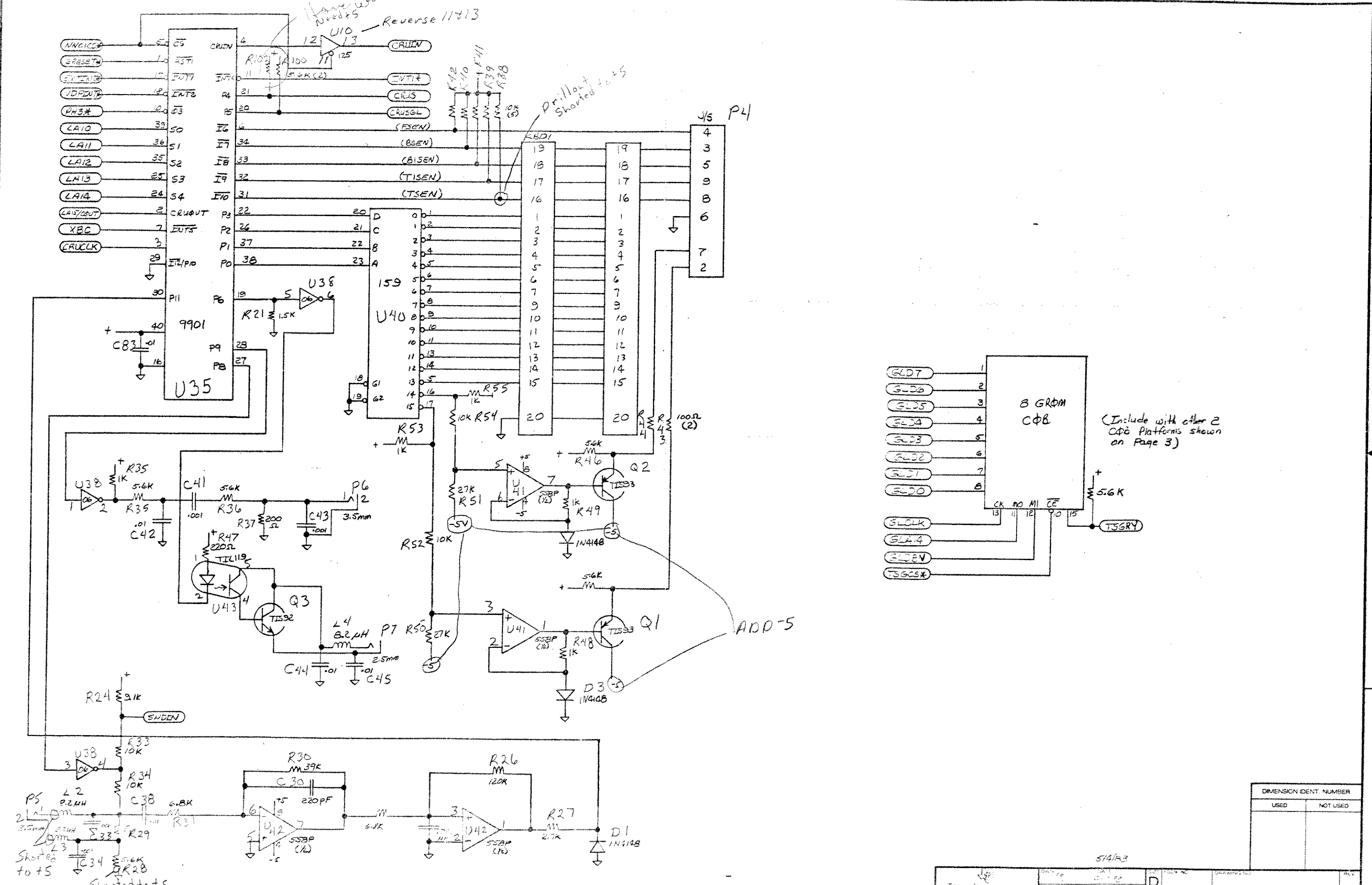
DIMENSION IDENT. NUMBER	
USED	NOT USED



DIMENSION IDENT. NUMBER	
USED	NOT USED



DIMENSION IDENT. NUMBER	
USED	NOT USED



(Include with other 2 CØB Platforms shown on Page 3)

DIMENSION IDENT NUMBER	
USED	NOT USED