

HOOSIER USERS GROUP HOOSIER USERS GROUP HOOSIER USERS GROUP HOOSIER USERS GROUP HOOSIER USERS GROUP
 USERS GROUP HOOSIER USERS GROUP HOOSIER USERS GROUP HOOSIER USERS GROUP HOOSIER USERS GROUP
 GROUP HOOSIER USERS HOOSIER USERS GROUP HOOSIER USERS GROUP HOOSIER USERS GROUP HOOSIER USERS GROUP
 HOOSIER USERS GROUP HOOSIER USERS GROUP HOOSIER USERS GROUP HOOSIER USERS GROUP HOOSIER USERS GROUP
 USERS GROUP HOOSIER USERS GROUP HOOSIER USERS GROUP HOOSIER USERS GROUP HOOSIER USERS GROUP
 GROUP HOOSIER USERS HOOSIER USERS GROUP HOOSIER USERS GROUP HOOSIER USERS GROUP HOOSIER USERS GROUP
 HOOSIER USERS GROUP HOOSIER USERS GROUP HOOSIER USERS GROUP HOOSIER USERS GROUP HOOSIER USERS GROUP
 USERS GROUP HOOSIER USERS GROUP HOOSIER USERS GROUP HOOSIER USERS GROUP HOOSIER USERS GROUP
 GROUP HOOSIER USERS HOOSIER USERS GROUP HOOSIER USERS GROUP HOOSIER USERS GROUP HOOSIER USERS GROUP

THE HUGgers
HOOSIER USERS GROUP
 People Helping People

May/June 1996

The HUGgers Newsletter

Volume 15 Number 3

OFFICER'S CORNER

This being the month of May, means two things - H.U.G. membership dues are due, and of course the Indianapolis 500. While the 500 race may be a distraction for some of us, it is not a reason to forget to renew your membership for the coming year. Dues are still \$22.00, checks should be made out to the Hoosier User's Group and sent to our post office box.

Two events of interest are coming up this month. First, is the Dayton Hamfest on May 17-19 at Hare Arena in Dayton (1001 Shiloh Springs Rd.) This is one of the largest, if not the largest hamfest in the nation, with commercial and non-commercial booths full of ham radio and computer equipment of all kinds. The other event is the Multi User Group Faire which this year is being held in Cleveland, Ohio instead of Lima. The actual location is the Cleveland suburb of Brookpark. In recent years the MUG TI Faire has grown to become one of the TI communities best events. Although further from Indianapolis this year, I would urge everyone who can attend to do so.

Also, for anyone interested in IBM type PC's, the AGI sponsored "Computer Fairs" can be of interest. The next one will be Saturday, May 11, 1996 at 3655 E. Raymond from 10 am to 4 pm.

At this month's meeting, former member, Bill Cagle is planning to attend... long time members will remember him as having been very active in the early years of HUG.

Finally, if anyone has any TI or Geneve 9640 related articles - new or old - you would like to have printed in the newsletter by all means please send them in to the P.O. box care of Bill Lucid or Bob Stahlhut.

-BCP

HUG OFFICERS		
President	Ricky Bottoms	392-2312
Vice Pres	Bryant Pedigo	255-7381
Secretary	Greg Larson	783-4575
Treasurer	Greg Larson	783-4575
Librarian	Bryant Pedigo	255-7381

NEW S+T BBS
 Hoosier Users Group
 300/1200/2400/4800/9600
 On Line 24 Hours Daily
 317-782-8842 881

Now with a Hard Drive
80 MB ON LINE

MONTHLY MEETING LOCATION
 WHITE HOUSE NEXT TO THE
 ST. ANN'S SCHOOL
 2839 S. McCLURE
 INDIANAPOLIS, IN
 AT 2:00 P.M.
 MAY 19, 1996

Reading...Tue, 02 Apr 1996 09:52:13 comp.sys.ti Thread
Lines 79 Cleveland MUG Motel and Info SheetNo responses
by047@torfree.net John Van Weelie at Toronto Free-Net

The 1996 TI-99/4A and GENEVE 9640
Multi-User Groups Conference
In CLEVELAND, OHIO
May 24-25, 1996

Compiled and Simplified by John Van Weelie

I thought I would write a brief information sheet based on the package that I received from the Cleveland User Group. I will list the information provided in print form in a easy to read listing.

Firstly *****

The Holiday Inn is already booked solid for the May 24th weekend as there is another event scheduled the same weekend.

Location Guide:

- 1 Brook Park Armory - MUG 96 Location
- 2 Harley Hotel ... 1-800-321-2323 or 1-216-243-5000
- 3 Holiday Inn ... 1-800-HOL-IDAY or 1-216-243-4040
- 4 Motel 6 ... 1-800-437-7486 or 1-216-234-0990
- 5 Red Roof Inn ... 1-800-THE-ROOF or 1-216-243-2441
- 6 Cross Country Inn ... 1-800-621-1429 or 1-216-243-2277

Restaurants:

Bob Evans, Friendlys, Perkins, Denny's, and the Olive Garden.
Mac Donalds, Burger King and Dunkin Donuts.

Shopping:

Kmart and Several Shopping Centers nearby.

Hospital:

Southwest General on Bagley Road.

MUG 96 Conference:

Food will be provided on the premises on the day of the Conference.
The menu will be varied and will try to have something for everyone.

There will be coffee and donuts in the morning along with fruit and no sugar treats for those on a special diet. For lunch there will be sloppy joes and sandwiches along with desserts and snacks.

More Information:

Contact: Glenn Bernasek
13246 Harper Road
Strongsville, OH 44136
Phone: (216)846-0865
Internet Email: dd314@cleveland.freenet.edu


```

+-----+
MUG 96 SCHEDULE
Friday May 24
3:30-8:00 pm   Preconference Set Up
8:30-10:00 pm  Informal get-together at the
                Middleburg Hts. Community Hall

Saturday May 25
8:00-5:00 pm   1996 MUG Conference
                Brook Park Armory
6:00pm -?     After the Confence clean up and
                Pizza Party
+-----+

```

ALL DEMONSTRATIONS, PRESENTATIONS AND MEETINGS AT MUG'96 WILL BE VIDEO TAPED FOR DISTRIBUTION. FOLLOWING IS THE SCHEDULE FOR DEMONSTRATIONS AND PRESENTATIONS (WHICH HAVE BEEN REQUESTED AND CONFIRMED) AND SPECIAL EVENTS FOR SATURDAY, MAY 25:

TIME:	WHO:	SUBJECT:
8:00	ALL PARTICIPANTS	DOORS OPEN TO MUG'96
8:30	MICKEY CENDROWSKI	LOAD MASTER (V.2.2)
9:15	TIM TESCH	PORT (GENEVE)
10:00	RON MARKUS	PROSTICK, TI ARTIST+ & GAMES
11:15	MIKE WRIGHT	PC99 (STAGE 3A) & A **DEBUT**
12:00	JIM KRYCH	AEMS (A HISTORY) & SuperAMS
1:15	BRUCE HARRISON	PICTURES AND INSTANCES
2:15	HAROLD TIMMONS	MIDI MASTER 99 (EXPERIENCES)
3:15	CHARLES GOOD	LATEST UPDATES FOR FUNNELWEB
4:15	(OPEN)	
5:15	-----	CLEAN UP TIME
6:00	-----	MUG'96 - DOORS CLOSE (THANKS FOR COMING, SEE YOU NEXT YEAR!)

(ADDITIONAL DEMONSTRATIONS CAN BE CONDUCTED ON THE CONFERENCE FLOOR. THESE DEMOS WILL ALSO BE VIDEO TAPED FOR DISTRIBUTION. LET US KNOW AND WE'LL ARRANGE FOR A VIDEO CAMERA TO SHOOT THE SHOW.)

(SEPARATELY SCHEDULED EVENT)

1:00 - 2:00 MULTI-USER GROUP OFFICER'S CONFERENCE

Msg#: 35 *Myarc 9640 Forum*

Formatted by: William M. Lucid, Hoosier User's Group

From: Michael Maksimik #1 To: ALL Subj: EZ Drive Captured from: Chicago User's Group BBS

I tested the Syquest EZ DRIVE on my Geneve the other day.

- 1) It is a SCSI drive. it comes in internal or external models.
- 2) It is a cartridge drive. The cartridges are removable and they store a maximum of 127 megabytes (135 unformatted)
- 3) You can set any SCSI address on the drive. For compatibility with the Geneve, you can set them to SCSI1, SCSI2, SCSI3 (addresses 0, 1, or 2 respectively)
- 4) You can use MYS to format the drive automatically. The format takes approx 5-7 minutes and the drive is quite fast as a media storage device. Faster than many SCSI drives on the market.
- 5) It is a true random access device, and it is also a true removable device. Hence it is a cheap way to store and backup your system files, but it is just as good to use as a main hard disk.
- 6) In fact, there is no reason why the EZ drive should not be the only SCSI hard disk you own, if you want unlimited storage for low cost.

Drive is approx. \$200.00, cartridges are approx. \$20.00 apiece. There are plans to implement larger capacity cartridges in the future.

The EZ drive is available in IDE or SCSI. Get the SCSI since it is fully interchangeable with PC, Macintosh, and Geneve (TI as well) and you can keep separate cartridges on hand for their respective operating systems. The drive operates with an AC adapter (external) five volts DC, using a special DIN connector. The Drive connects to SCSI using alternative two connectors. These are the 50 pin TELCO (or Centronics style) connectors found on many external tape drives and CD ROM drives. It is not the same as the ZIP drive (which uses a DB-25 Apple connector) You will be able to connect to the drive using a ribbon-cable crimp style connector which will connect to the back of your SCSI card. IF you are not going to attach any other devices, you need either a pass-thru terminator or an end terminator on the drive. I used a pass-thru which worked fine.

Using the drive: Since the drive works like any other hard drive, I assign a letter to the drive, and used MKDIR (MD) to make a directory on the drive, and used the XCOPY utility to backup entire directories from my other hard drives. In fact, it is MUCH WISER to use this than tape backup, since tapes are just as expensive and the drives are costly as well. And, you don't need special software, just MDOS and a SCSI card.

You can load and run programs from off the drive, and it works like any other hard disk. Some rules to follow:

- 1) Don't remove media from the drive in the middle of a session. If you change media, please reboot with a hard reset. This will guarantee that there are no problems with MDOS getting confused.
- 2) After formatting with MYS, be sure to reboot the system so MDOS is aware of the 8:1 sector per AU ratio. If you don't you will only have a 32 megabyte drive. PLEASE do this, even if you use CFORM with MFM drives. MDOS will work fine only after rebooting.
- 3) DON'T expect to clone one cartridge to another, you can't use a diskcopy command with this drive. If you want to clone a cartridge, do it little by little using floppies or another hard drive and xcopy, or get another EZ drive. You can have more than one in the system.
- 4) There are other drives on the market. ZIP drives (100 megabytes) are fine but they only support SCSI address 5 or 6. the JAZ drive, a 1-gigabyte rigid removable media drive will allow any SCSI address, and should be a fine drive for use with the Geneve.

---If you decide to invest in an EZ drive, rest assured, it works fine with the Geneve. Have fun and don't stay up too late!

Color and Speech Using the Terminal Emulator II Module

Original source unknown.

Re-typed by William M. Lucid, Hoosier User's Group

Terminal Emulator II, the main terminal program for the TI 99/4A, will respond to most of the standard ASCII screen format codes. However, there are additional codes which will allow you to make these machines change screen colors and talk (if the 99/4A has an attached Speech Synthesizer).

There are two or three ways to run these codes. You can use the keyboard, use TI-Writer, or use the CHR\$() function in TI Basic. For this explanation, we'll start by using ASCII numbers in decimal form. We'll also show you how to use the TEII and TI-Writer keyboards to do the same thing. Remember that TI-Writer has a Special Character Mode that allows you to type in "invisible" control characters. Type in a Control -U to go to that mode.

First, the most basic codes (which should work anywhere, by the way).

ASCII 1 will place cursor at the upper left corner of the screen, its HOME position. Use Control -A in TEII, and CHR\$(1) in BASIC. In TI-Writer, it's Shift -A in special mode.

ASCII 12 does the same thing, but also clears the screen. Control -L in TEII, CHR\$(12) in BASIC, Shift -L in TI-Writer special mode.

ASCII 7 is the old teletype BELL command. It will produce a beep from your monitor. Control -G in TEII, CHR\$(7) in BASIC, Shift -G in TI-Writer special mode.

First, a note on TEII protocol manual. Almost all of the numbers are in hexadecimal. Also, when it talks about sending "bytes," it usually means characters. When a byte is represented in binary—00110110—they split it into two nybbles—0011 0110—turn that into a hex byte -36—which finally equals decimal 54, or ASCII character "6".

To change TEII screen colors, you start with the "Extended Write." That's the way TI describes the series of characters you have to give to the software to carry out a command. The Extended Write starts with these ASCII characters:

```
|27|71|127|27|40 .... and ends with these: |27|41|
```

Let's explain what those numbers mean. The "27" represents ASCII character 27, called the "ESCAPE" character. The "71" is ASCII character number 71, a capital "G". This follows for all the numbers in the list.

After the "40", you put a character to tell TEII what you want to do. Then, more characters to give TEII exact instructions, then the "27" and "41" to tell TEII to start carrying out the instructions.

Remember, to send an extended write to TEII, you must start with these ASCII numbers:

```
|27|71|127|27|40
```

...and end with these:

```
|27|41|
```

To change screen colors, you must put three characters after the "40": a "43", to tell TEII what you want to do, then a character to represent the color letters you want, and another character for the screen color you want.

To change your screen colors, first you need this list of color codes:

32—Transparent	40—Medium Red
33—Black	41—Light Red
34—Medium Green	42—Dark Yellow
35—Light Green	43—Light Yellow
36—Dark Blue	44—Dark Green
37—Light Blue	45—Magenta
38—Dark Red	46—Gray
39—Cyan	47—White

To set screen colors with Terminal Emulator II, you need to send the right series of characters. Let's say you want to have white letters on a dark blue screen. Here is the extended write you need:

```
|27|71|127|27|40|43|47|36|27|41|
```

There are three ways to do this. First, a BASIC program:

```
110 Open #1:"RS232"  
110 PRINT #1:CHR$(27)&CHR$(71)&CHR$(127)&CHR$(27)&CHR$(40)&CHR$(43)&CHR$(47)&  
CHR$(36) &CHR$(27)&CHR$(41)  
120 PRINT #1  
130 CLOSE #1
```

The second way: in TEII, type these characters:

```
|Control-Period|Shift-G|Function-V|Control-Period|Left Parenthesis|Plus Sign|Slash|Dollar Sign|Control-  
Period|Right Parenthesis|
```

The third way, in TI-Writer, is the same as in TEII, except for the Escape characters. In TEII, they're typed in with Control-Period. In TI-Writer, you go to Special Character Mode by typing a Control-U, type a Function-R, then a Control-U again to get back to Standard Mode

Now: I'll tell you how to make other people's TI's talk.

Remember, to send an extended write to the TEII, you must start with these ASCII numbers:

```
|27|71|127|27|40|
```

...and end with these:

```
|27|41|
```

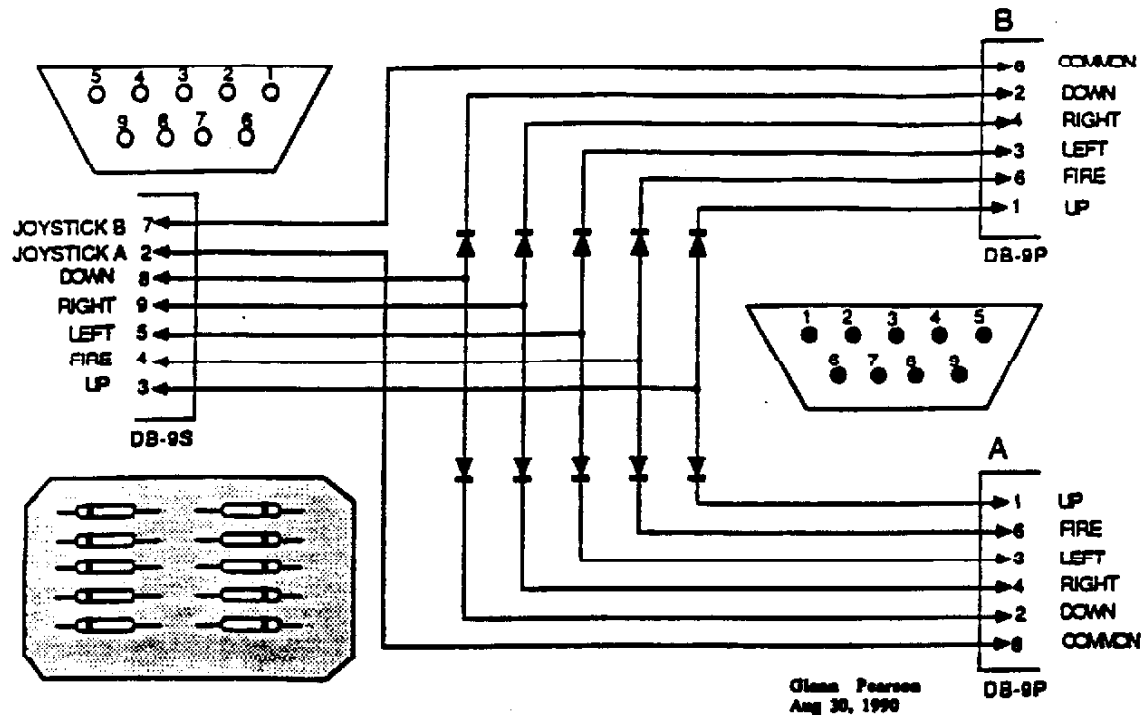
Also remember that the character after the |40| (left parenthesis, which is ASCII number 40) tells TEII what to do. Give it a certain character, and it will tell TEII to send data following the character to the Speech Synthesizer. This can be done two ways:

To speak text (which must be in upper case) and display it at the same time, the character must be a "&", an ampersand, ASCII number 38.

To speak text without putting it on the screen (again, the text must be in upper case), the character must be a "'", an apostrophe, ASCII number 39.

So, if you want to send a talking message, follow the instructions as the color changes, except put in a character with ASCII number 38 or 39 in place of the 43 ("+", a plus sign), and instead of the two characters to set screen colors, place your text, in upper case, that the remote 99/4A will say.

TI & GENEVE JOYSTICK ADAPTER



As virtually all TI users know, standard joysticks may not be used with the TI (or Geneve) without an adapter. The adapter is required to accommodate three things: the pinout of the DB-9 connector on the TI does not match the standard joystick pinout, secondly, two joystick connectors will not both fit into one chassis connector, and thirdly, series diodes are required to isolate the joysticks from each other, else one joystick will try to do the work of two.

I had a commercial adapter, which was made as a potted cable assembly. When the fire button stopped functioning on one of my joysticks, I traced the problem to an open diode in the cable assembly. The first step in determining the cause of the problem was to swap joysticks. Moving the joystick from one cable connector to another showed that the problem stayed at the cable location. By using an ohmmeter, and with the help of a schematic for the TI, I was able to quickly to determine that a diode in the cable assembly had opened. An attempt to non-destructively open the cable assembly failed, and I was left with no choice but to replace the adapter, if I was to continue to use the joysticks in pairs.

While I believe that joystick adapters are still available commercially, I decided to build my own, which would be serviceable. All of the parts are readily available at stores like Radio Shack. I happened to have everything but the connectors in my "junkbox" of treasures accumulated during my more active ham radio days. The diodes are low current, signal type 1N914, or equivalent. I built this assembly on a perforated breadboard. I mounted the diodes to "fenceclips", and used the wire from the original adapter. A small aluminum box was used to hold the perf-board assembly.

The three cables to the three connectors were brought out through existing holes on the box; two out one end, and one out the other end.

The unit worked immediately upon assembly, and is in use.

Another way of accomplishing the same end is to modify the joysticks themselves. This requires the disassembly of the joysticks to mount the diodes internally, and then the user must cut the original connectors off of the joysticks and run both joystick cables into one DB-9S connector. If you elect to use this approach, be aware that any warranty on the joysticks will be voided. Proceed with caution, and follow the wiring for the DB-9S connector in the above diagram.

I have used both methods successfully. I elected to put the diodes in the joysticks with some inexpensive units, but preferred an adapter for some more expensive joysticks.

Glenn Pearson 2/31/90

KOCH's KWIK LOGO LISTINGS

The following are LOGO "primitives" compiled from: TI-LOGO, TI-LOGO II, TI-LOGO Curriculum Guide and TI-LOGO Reference Guide; none of which is complete as all are with errors and omissions.

<u>Graphics</u>	SY	END	PA
SPRITE (32: #0-31)	SXY	TEXT	PN
TELL	XCOR	TO	PO
CARRY	YCOR		PP
LOOKLIKE	WHO	<u>Conditional Relations</u>	CONTENTS
EACH	WHERE	BOTH	PRINTOUT
YOURNUMBER YN	COLOR	EITHER	
FREEZE	HEADING	IS	<u>Debug Aids</u>
THAW	NUMBEROF	GREATER	CONTINUE
HOME		LESS	DEBUG
BACK BK	TILE (256: #0-255)	IF	TRACEBACK TB
FORWARD FD	TELL	THEN	
LEFT LT	MAKECHAR MC (0-255)	ELSE	<u>Misc. Commands</u>
RIGHT RT	MAKESHape MS (0-25)	NOT	BYE
SETCOLOR SC	SETCOLOR SC	TEST	.HELP
SETHEADING SH	PUTTILE PT	IFF	.GC
SETSPEED SS	WHO	IFT	.NODES
BIG	NUMBEROF	FALSE	;
SMALL		TRUE	
SIZE	<u>Screen</u> SCREEN	NUMBER?	<u>Music Primitives</u>
SX	TELL	THING?	MUSIC
SY	CLEARSCREEN CS	WORD?	PLAYMUSIC PM
SXY	COLORBACKGROUND CB	<	LOOPMUSIC
SV	BACKGROUND BG	>	NOTE
.V	COLOR	=	PLAYNOTE
SYV	WHO		CHROMATIC
XCOR	NUMBEROF	<u>Controlling Procedure</u>	MAJOR
YCOR		GO	LEGATO
XVEL	<u>Numeric Functions</u>	OUTPUT OP	STACCATO
YVEL	+	REPEAT	SETVOICE
WHO	-	RUN	SETVOLUME
COLOR	*	STOP	SETTEMPO
HEADING	/		REST
SHAPE	SUM	<u>Input/Output</u>	DRUM
SPEED	DIFFERENCE	BEEP	
NUMBEROF	PRODUCT	NOBEEP	<u>Pre-Defined Colors: with</u>
	QUOTIENT	JOY (1,2)	<u>their Character Sets</u>
TURTLE	RANDOM	PRINT	BLACK 0-127
TELL		TYPE	CLEAR 128-135
HIDETURTLE HT	<u>Word & List Operation</u>	WAIT	BLACK 136-143
SHOWTURTLE ST	FIRST F	CHARNUM CN	GREEN 144-151
NOTURTLE	LAST	PRINTCHAR PC	LIME 152-159
PENUP PU	BUTFIRST BF	READCHAR RC	BLUE 160-167
PENDOWN PD	BUTLAST BL	READLINE RL	SKY 168-175
PENERASE PE	FPUT	RC?	RED 176-183
PENREVERSE PR	LPUT		CYAN 184-191
HOME	SENTENCE SE	<u>Naming</u>	RUST 192-199
BACK BK	WORD	CALL	ORANGE 200-207
FORWARD FD	LENGTH	MAKE	YELLOW 208-215
LEFT LT	REVERSE	THING	LEMON 216-223
RIGHT RT	ROTATE		OLIVE 224-231
SETCOLOR SC		<u>Filing & Managing</u>	PURPLE 232-239
SETHEADING SH	<u>Defining & Editing</u>	SAVE	GRAY 240-247
DOT	EDIT	RECALL	WHITE 248-255
SX	DEFINE DE	ERASE	

Date: _____
 Name _____
 Address _____
 City/State _____
 Phone number _____
 Renewals: \$22.00
 New membership:

Please print
 cut on line

Below you will find an application for membership to the Hoosier Users Group. Active membership entitles you to the Newsletter, up and download on the HUCBs, attendance and voting rights at regular club meetings, access to the HUGger Library of Programs, special club activities and special guest speakers for one year.

Make check or money order payable to Hoosier Users Group. Send completed application to:

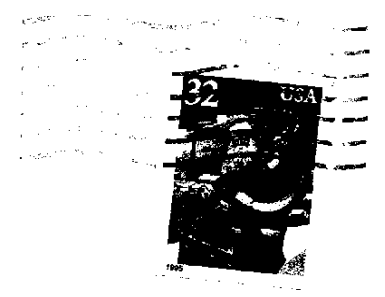
HOOSIER USERS GROUP
 P.O. Box 2222
 Indianapolis, IN 46206-2222

APPLICATION FOR MEMBERSHIP



HOOSIER USERS GROUP
 P.O. Box 2222
 Indianapolis, IN 46206-2222

Forwarding and Address
 Correction Requested



May 1996

Dan H. Eicher
 2720 Palo Verde Ct.
 Indianapolis, IN 46227

TIME DATED
 May 19 1996
MATERIAL

Hoosier User's Group S&T BBS
 300/1200/2400/4800/9600 Baud 8N1
 317-782-9942 24 Hours Daily