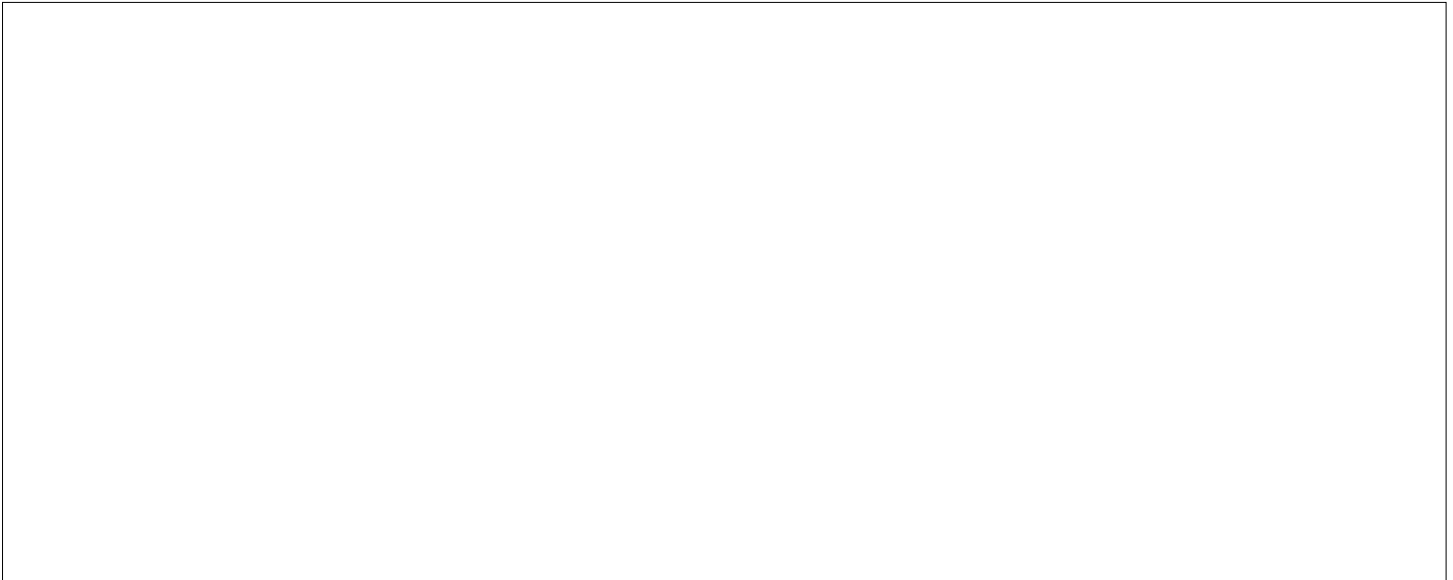


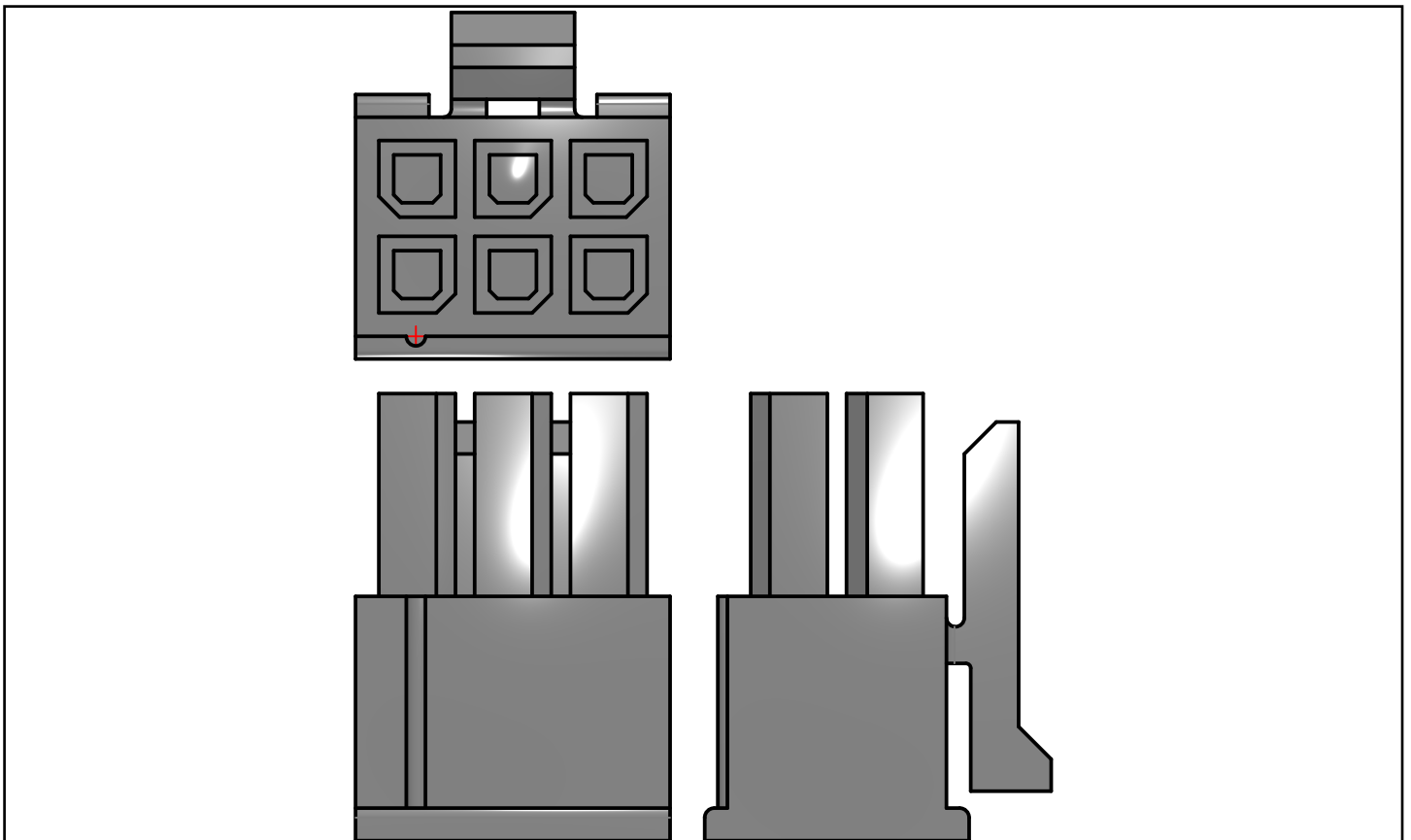
This is a preliminary design proposal that needs to be reviewed by Molex. This proposal does not indicate part availability or an intent to build. Please CONTACT MOLEX to review the proposal.

## Reference Design Number: 430250600



*Interactive 3D graphic, click to activate and rotate.*

## Technical Drawing



This is a preliminary design proposal that needs to be reviewed by Molex. This proposal does not indicate part availability or an intent to build. Please CONTACT MOLEX to review the proposal.

## Technical Data

PN (Part Number)	430250600
DESC (Description)	Micro-Fit 3.0 Receptacle Housing, Dual Row, 6 Circuits, UL 94V-0, Low-Halogen, Black
CIRCUITS (Circuits)	6
GENDER (Gender)	Receptacle
ROWS (Number of Rows)	2