

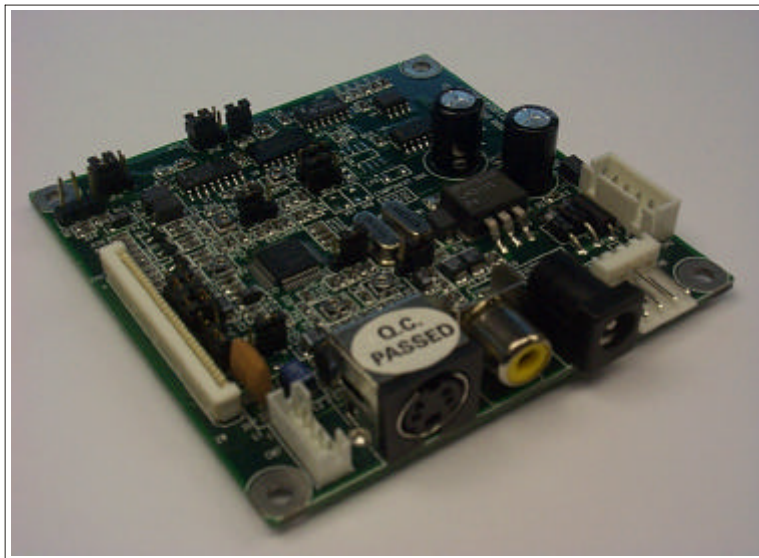
The Digital View MAV-N32 is an interface controller designed to drive NEC 5.5 analog TFT video panel.

**Panels:** NEC NL3224AC35-01, 320x240.

**Input:** Video (PAL, NTSC)

The applications for the MAV-N32 are likely to OEM LCD video monitors and other LCD based video products.

Key features of Digital View flat panel interface controllers include excellent picture quality, ease of use, extensive features and cost effective performance.



## Features

- **Panel Connectivity:** NEC NL3224AC35-01.
- **Input signals:** Interlaced video, PAL/NTSC composite and PAL/NTSC S-video (234 lines).
- **Panel power:** 9.5V
- **Panel signal:** 30-way TTL.
- **Colors:** Full color
- **Functions available:**
  - On/Off - via mechanical or digital switch
  - Backlight brightness - on board VR or external VR
  - Panel brightness - on board VR
  - Contrast - on board VR
  - Color - on board VR
  - Tint (NTSC only) - on board VR
  - Image mirror - on board jumper
- **Dimensions:** 76.20mm x 76.20mm (3 x 3 ) approx.
- **Mounting holes & layout:** Digital View standard.
- **Connectors:** Embedded & external type.
- **Power requirements:** 12V DC.
- **Power/signal protection:** Fuse and power sequencing.
- **DC power handling:** Solid state
- **Power load maximum:** Overall 3Amp current limit.
- **Status indicator:** Dual color LED support.
- **Operating temperature:** 0°C to +65°C
- **Storage temperature:** -40°C to +70°C

NTSC

PAL

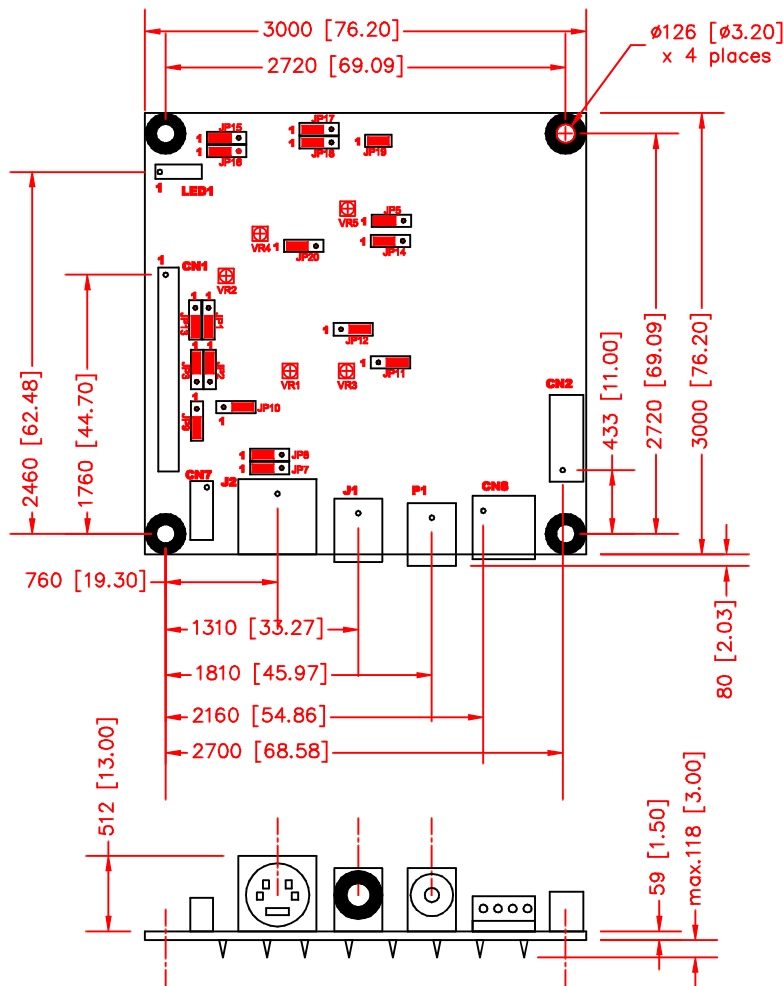
Video interface for NEC 5.5 analog TFT panels

## Panel Compatibility Guide

Ref	Panel type
NEC	Analog type - NL3224AC35-01

## Order Information

Item	Description
1	MAV-N32 controller
2	Panel signal cable
3	Function controls & cables kit
4	Status LED kit
5	AC/DC adapter with +12V DC output



### Notes:

- Dimensions are in mm and (mil).
- PCB mounting holes connect to ground.
- PCB mounting holes are 3.2mm.
- Drawing is not to scale.

### Connector reference

CN1	Panel signal connector, Molex 52030-3010 FPC 30-way	LED1	Dual colour status LED: 3-pin header
CN2	Switch mount connector, JST 5-way B5B-XH-A	J1	Composite video in: RCA jack (yellow)
CN7	Alternative video connector, JST 5-way B5B-PH-K	J2	S-Video in: mini din 4-way
CN8	Alternative power connector	P1	Power input: 5.5mm jack for 12V supply

## ASIA

### Digital View Ltd

2201 Nanyang Plaza  
57 Hung To Rd, Kwun Tong,  
Kowloon, Hong Kong

Tel: (852) 2861 3615  
Fax: (852) 2520 2987  
Email: sales@digitalview.com.hk

## USA

### Digital View Company

18440 Technology Drive, Bldg 130  
Morgan Hill, CA 95037  
USA

Tel: (1) 408-782 7773  
Fax: (1) 408-782 7883  
Email: sales@digitalview.com

## EUROPE

### Digital View Ltd

Millennium Studios,  
5 Elstree Way, Borehamwood,  
Herts, WD6 1SF, England

Tel: (44) (0)181-236 1112  
Fax: (44) (0)181-236 1116  
Email: sales@digitalview.co.uk

Please visit our Web site for more information: [www.digitalview.com](http://www.digitalview.com)