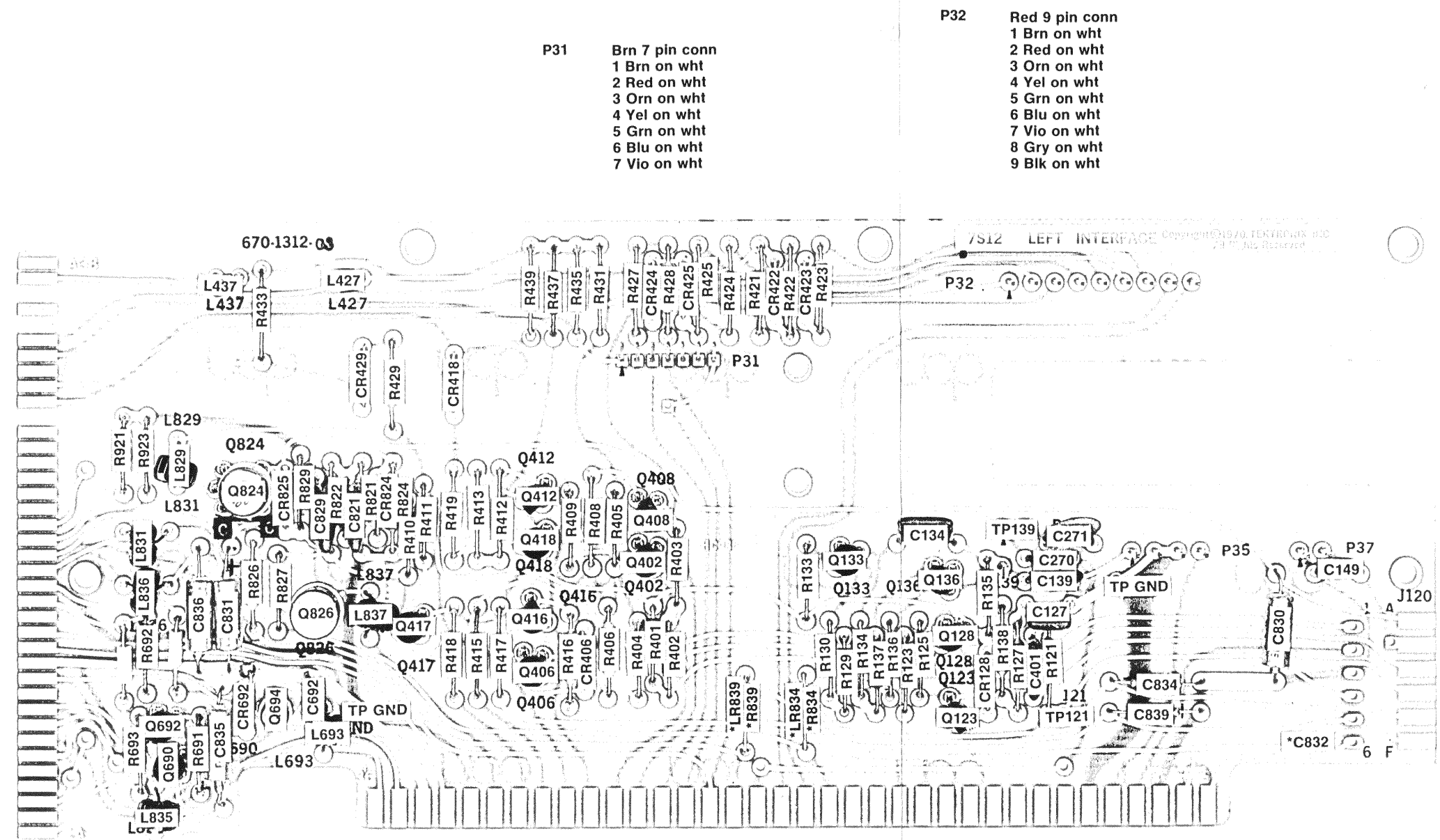


- 12 FRONT PANEL CONTROLS & CONNECTORS
- 13 UNITS/DIV & CAL SWITCH CONNECTORS
- 14 CABLE BOARD DETAILS

7S12 SAMPLING PLUG-IN

A

BLOCK DIAGRAM



- P31** Brn 7 pin conn  
 1 Brn on wht  
 2 Red on wht  
 3 Orn on wht  
 4 Yel on wht  
 5 Grn on wht  
 6 Blu on wht  
 7 Vio on wht

- P32** Red 9 pin conn  
 1 Brn on wht  
 2 Red on wht  
 3 Orn on wht  
 4 Yel on wht  
 5 Grn on wht  
 6 Blu on wht  
 7 Vio on wht  
 8 Gry on wht  
 9 Blk on wht

- P33** Orn 2 pin conn  
 1 Brn on wht  
 2 Red on wht

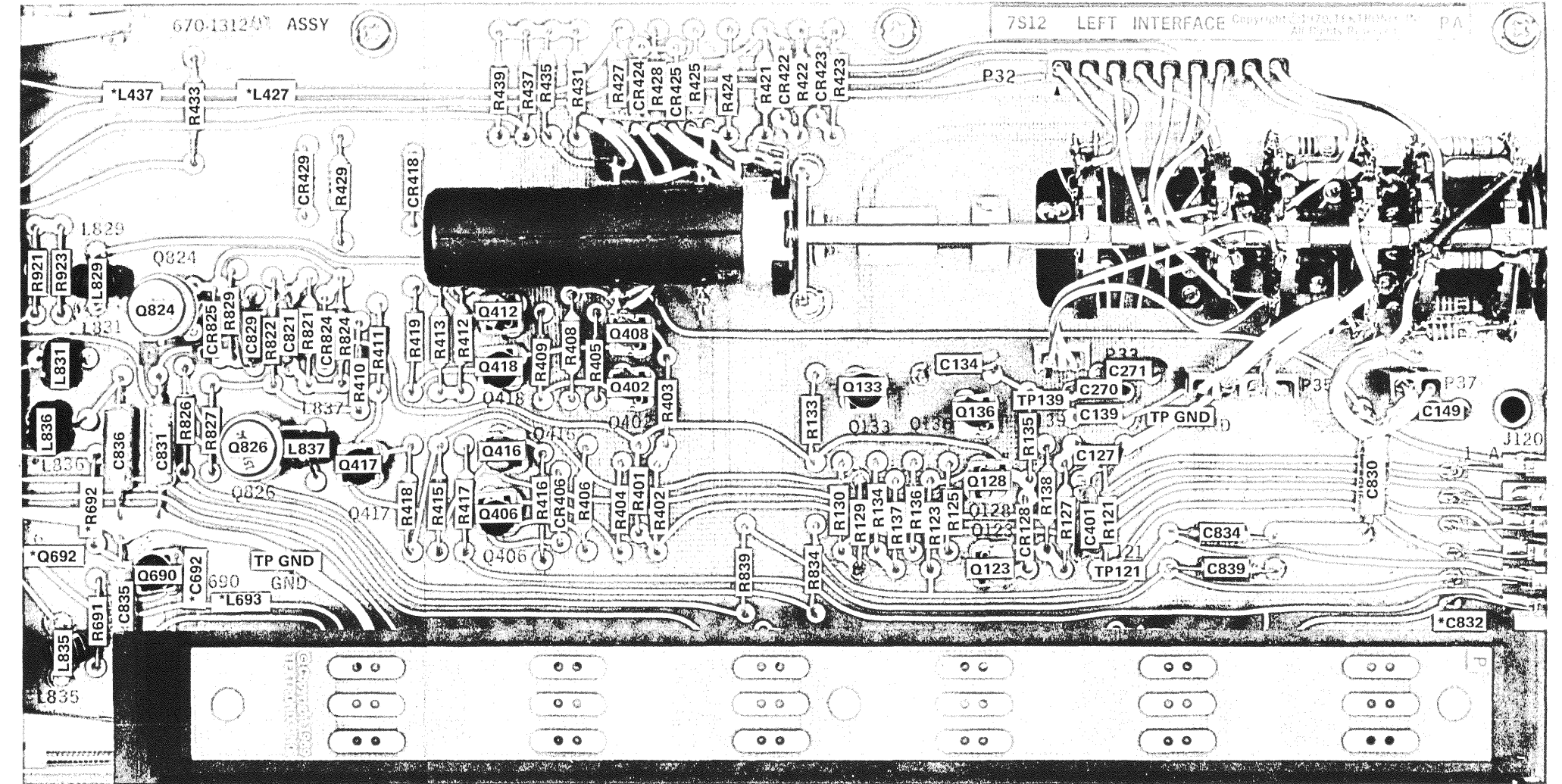
- P35** Grn 4 pin conn  
 1 Blk on wht (50 Ω Coax)  
 2 Shield of P1  
 3 Shield of P4  
 4 Brn on wht (50 Ω Coax)

- P37** Vio 2 pin conn  
 1 Shield of P2  
 2 Red on wht (50 Ω Coax)

\*See Parts List for serial number ranges.

Fig. 7-1a Assembly A-1, Left Interface board (SN B10000 & up).

REV E FEB 1980



- P31** Brn 7 pin conn  
 1 Brn on wht  
 2 Red on wht  
 3 Orn on wht  
 4 Yel on wht  
 5 Grn on wht  
 6 Blu on wht  
 7 Vio on wht

- P32** Red 9 pin conn  
 1 Brn on wht  
 2 Red on wht  
 3 Orn on wht  
 4 Yel on wht  
 5 Grn on wht  
 6 Blu on wht  
 7 Vio on wht  
 8 Gry on wht  
 9 Blk on wht

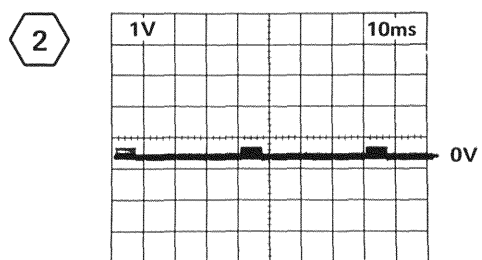
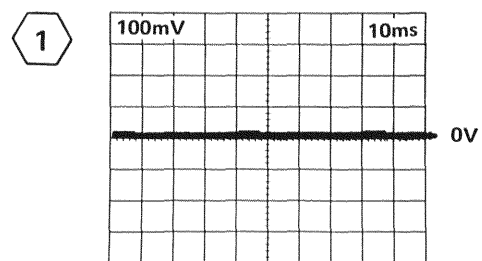
- P33** Orn 2 pin conn  
 1 Brn on wht  
 2 Red on wht

- P35** Grn 4 pin conn  
 1 Blk on wht (50 Ω Coax)  
 2 Shield of P1  
 3 Shield of P4  
 4 Brn on wht (50 Ω Coax)

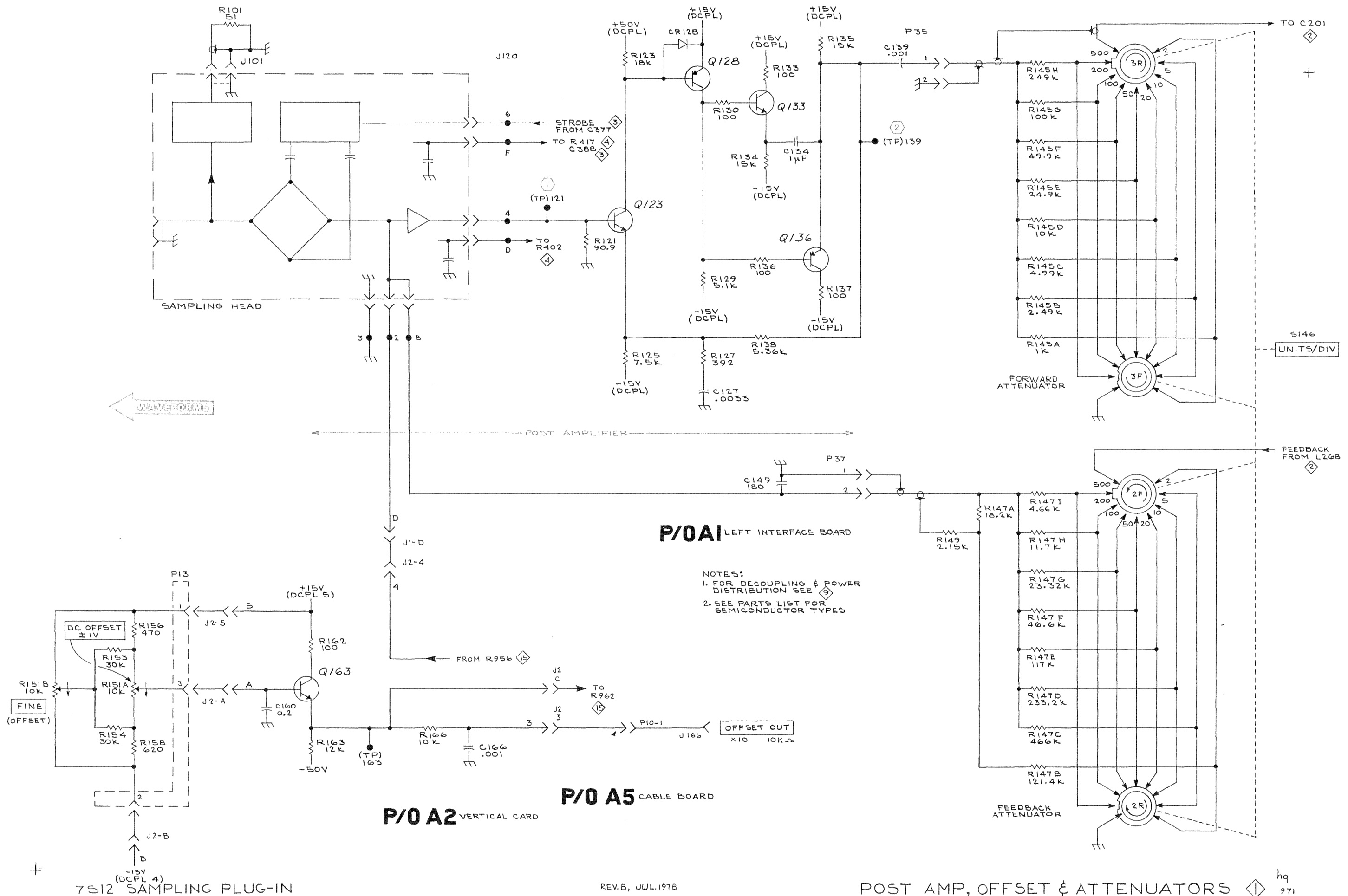
- P37** Vio 2 pin conn  
 1 Shield of P2  
 2 Red on wht (50 Ω Coax)

\*See Parts List for serial number ranges.

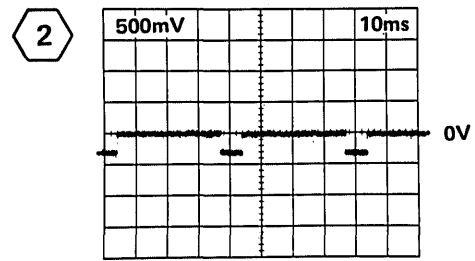
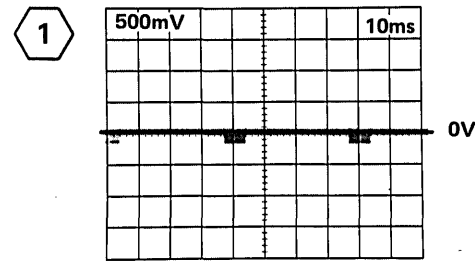
Fig. 7-1b. Assembly A-1, Left Interface board (below SN B10000).



Test oscilloscope triggered internally. For other conditions see page 7-2.





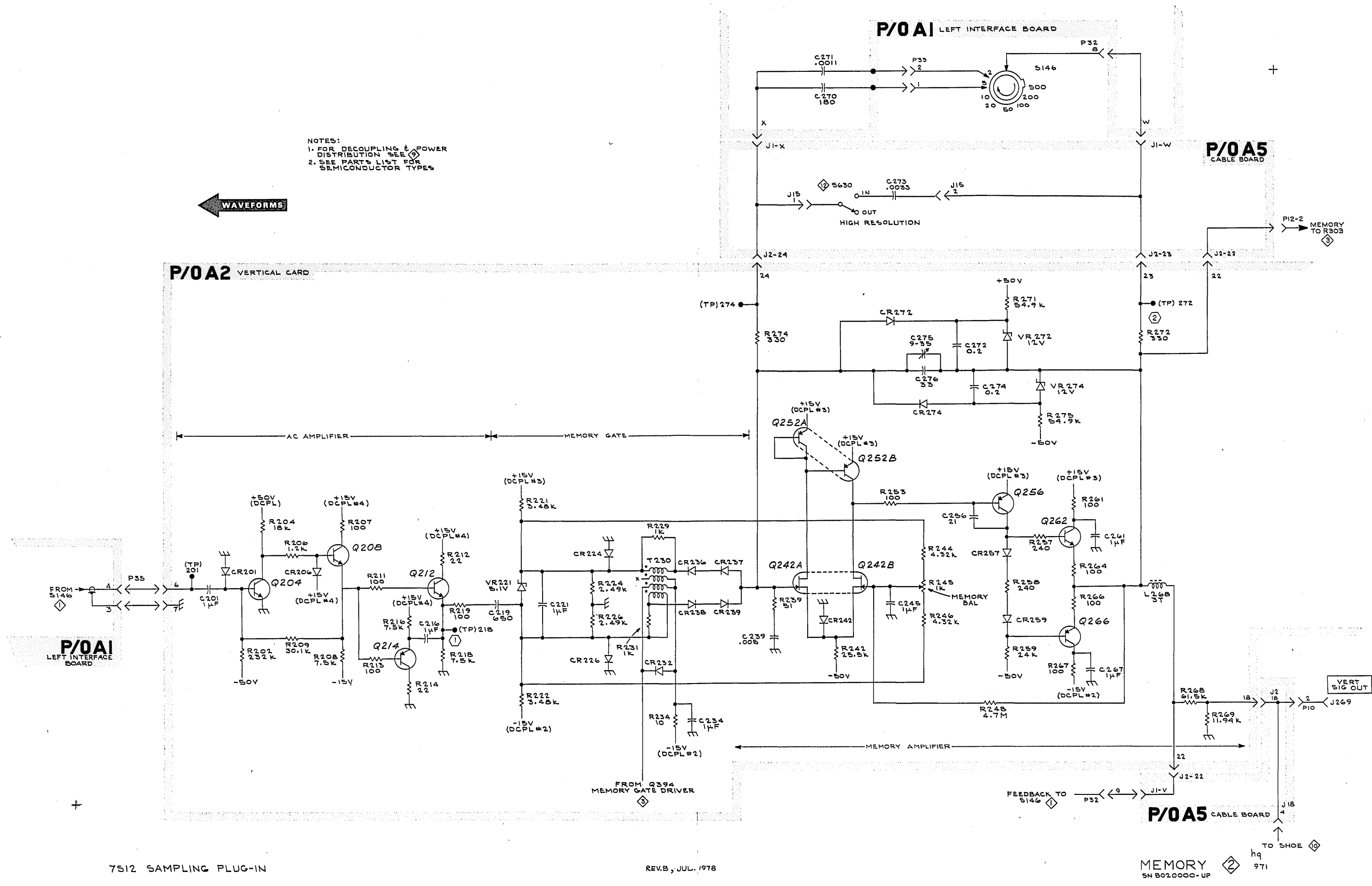


This waveform is affected by DC OFFSET control.

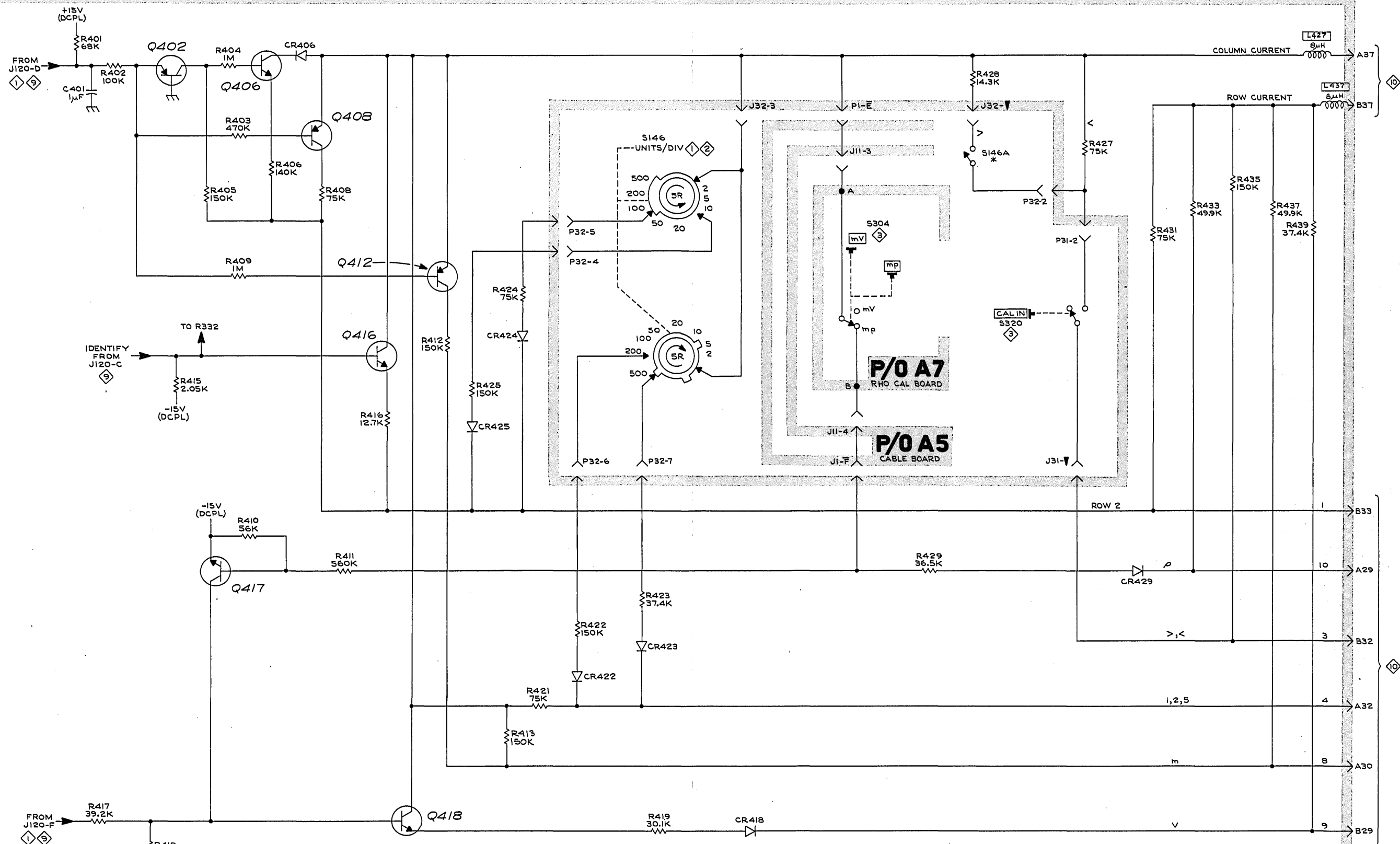
Test oscilloscope triggered internally. For other conditions see page 7-2.

NOTES:  
 1. FOR DECOUPLING & POWER DISTRIBUTION SEE .  
 2. SEE PARTS LIST FOR SEMICONDUCTOR TYPES

← WAVEFORMS







- NOTES:
1. SEE PARTS LIST FOR SEMICONDUCTOR TYPES
  2. FOR DECOUPLING & POWER DISTRIBUTION SEE 9
  3. \*CONCENTRIC WITH UNITS/DIV, S146 GANGED WITH VARIABLE, R320

SEE PARTS LIST FOR EARLIER VALUES AND SERIAL NUMBER RANGES OF PARTS OUTLINED OR DEPICTED IN BLUE.

**P/O A1** LEFT INTERFACE BOARD

7S12 SAMPLING PLUG-IN

REV. C, DEC. 1975

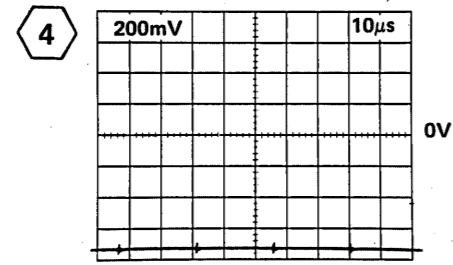
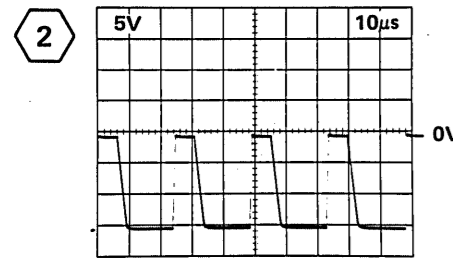
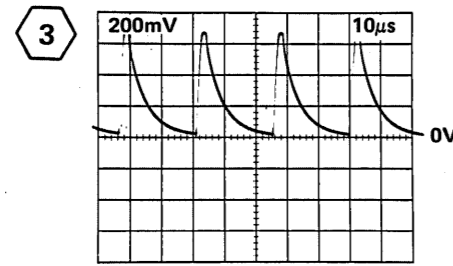
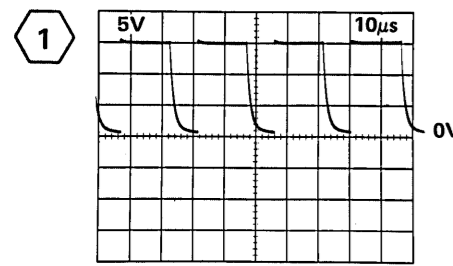
VERTICAL READOUT LOGIC 4  
5N 0020000-UP

VERTICAL READOUT LOGIC 4

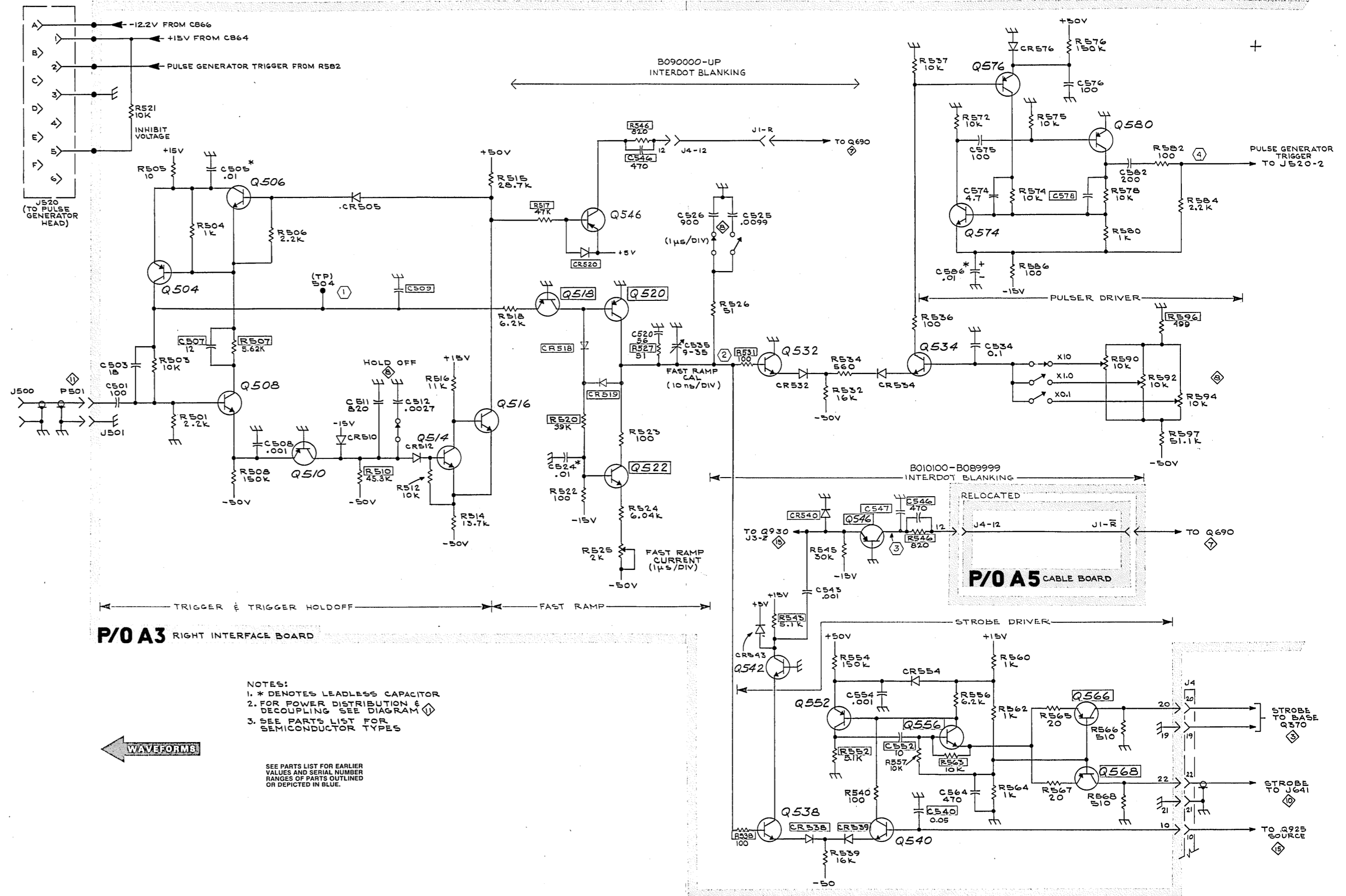
GRS 971







Test oscilloscope triggered from Right Interface board TP 504 signal. For other conditions see page 7-2.



**P/O A3** RIGHT INTERFACE BOARD

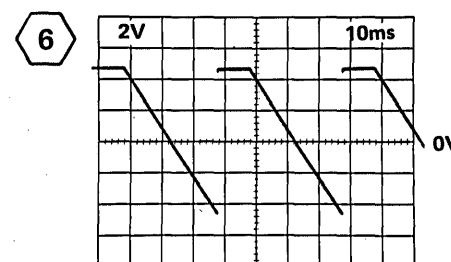
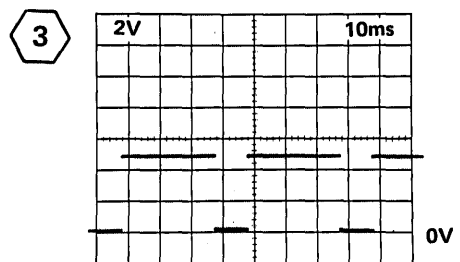
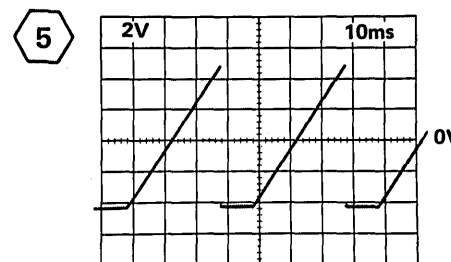
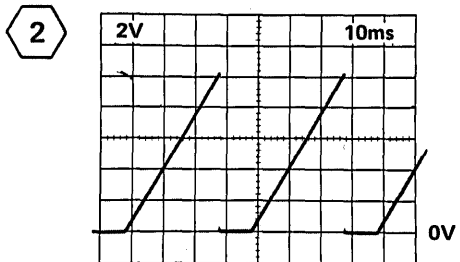
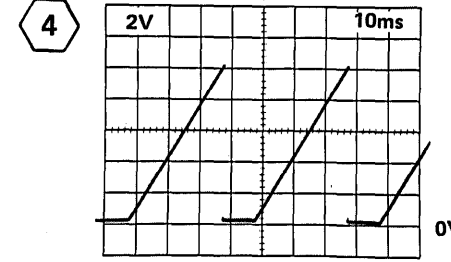
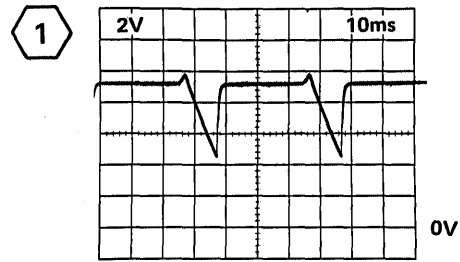
- NOTES:  
 1. \* DENOTES LEADLESS CAPACITOR  
 2. FOR POWER DISTRIBUTION & DECOUPLING SEE DIAGRAM  
 3. SEE PARTS LIST FOR SEMICONDUCTOR TYPES

SEE PARTS LIST FOR EARLIER VALUES AND SERIAL NUMBER RANGES OF PARTS OUTLINED OR DEPICTED IN BLUE.

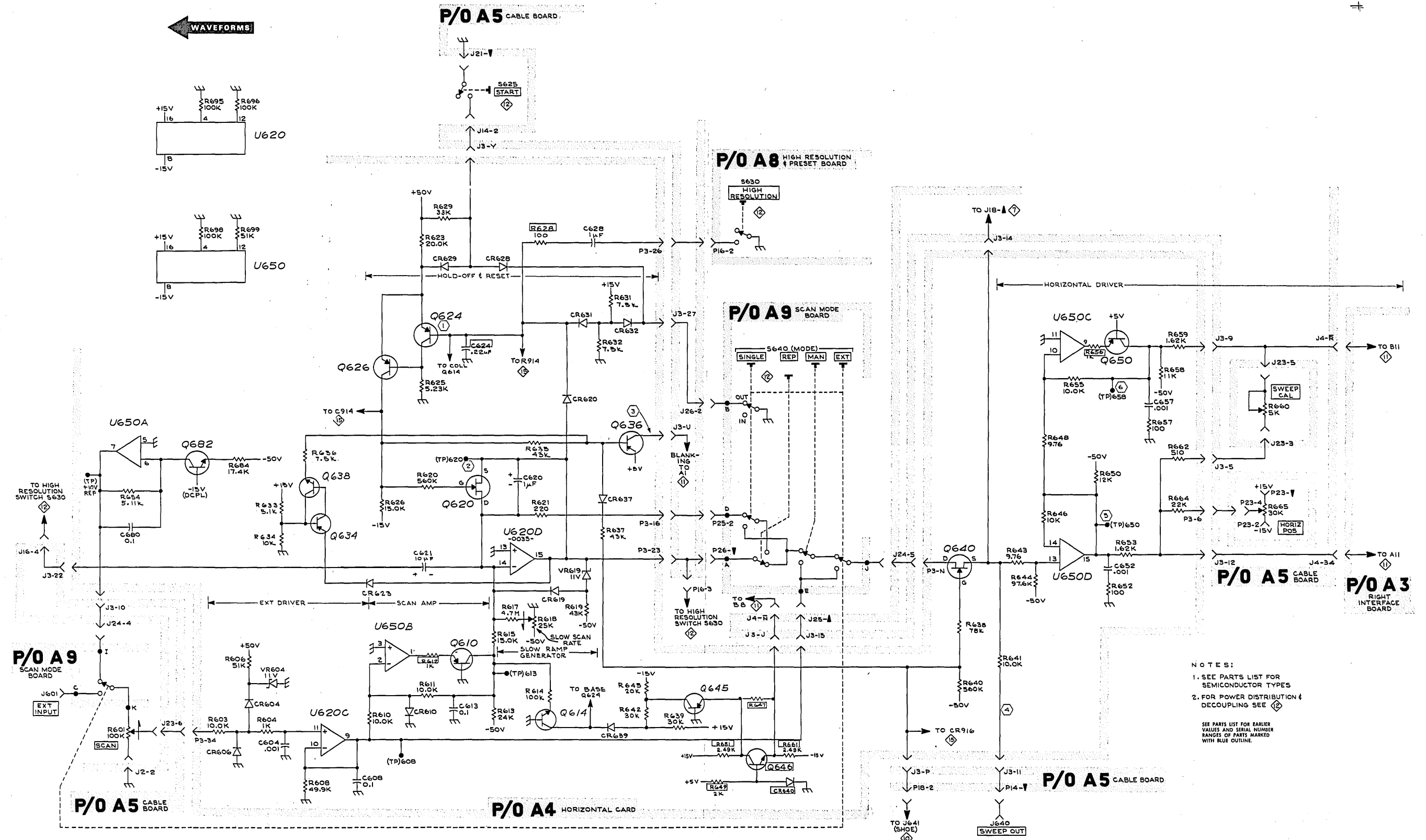
← WAVEFORMS

+





Test oscilloscope triggered from SWEEP OUT signal.  
For other conditions see page 7-2.

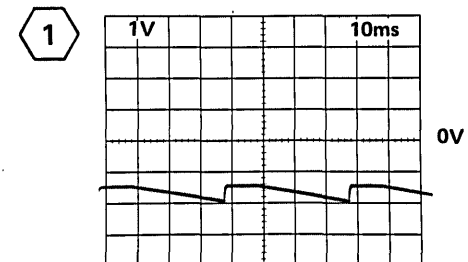


7S12 SAMPLING PLUG-IN

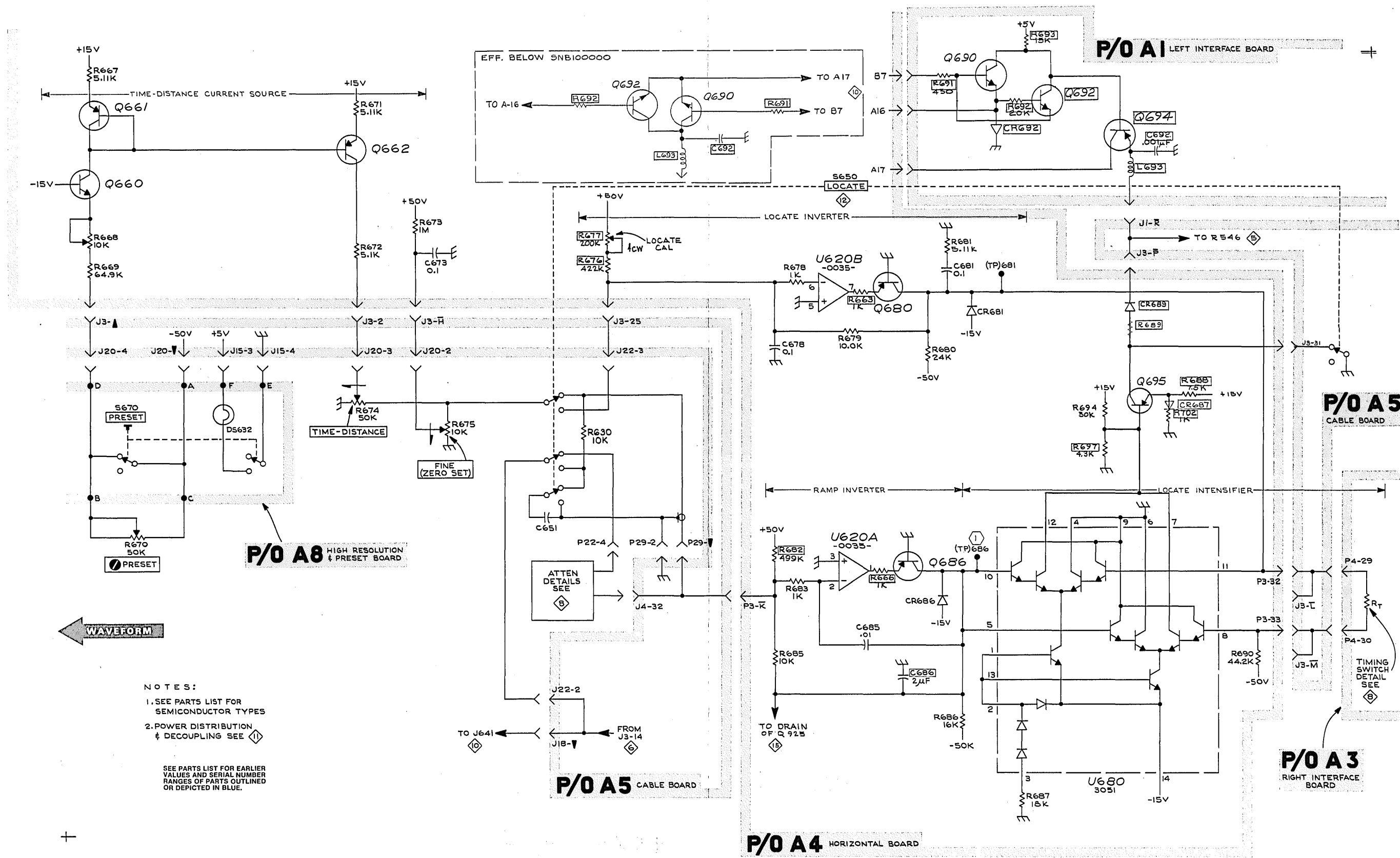
REVE FEB 1960

NOTES:  
1. SEE PARTS LIST FOR SEMICONDUCTOR TYPES  
2. FOR POWER DISTRIBUTION & DECOUPLING SEE [Symbol]  
SEE PARTS LIST FOR EARLIER VALUES AND SERIAL NUMBER RANGES OF PARTS MARKED WITH BLUE OUTLINE.

GRS 572  
SLOW RAMP & HORIZ DRIVE [Symbol]  
SN B010000-UP

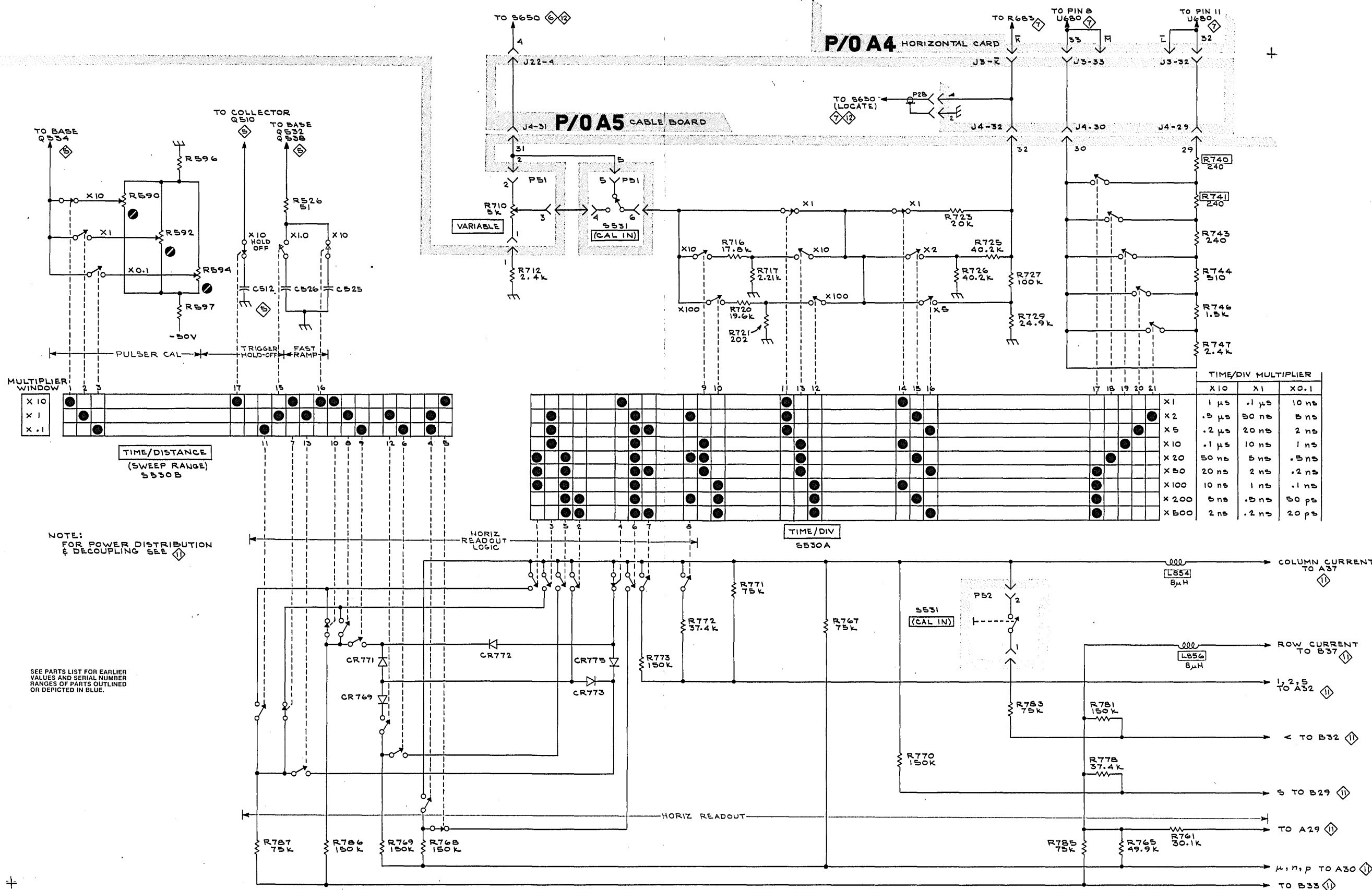


Test oscilloscope triggered from SWEEP OUT signal.  
For other conditions see page 7-2.



- NOTES:
1. SEE PARTS LIST FOR SEMICONDUCTOR TYPES
  2. POWER DISTRIBUTION & DECOUPLING SEE [Symbol]

SEE PARTS LIST FOR EARLIER VALUES AND SERIAL NUMBER RANGES OF PARTS OUTLINED OR DEPICTED IN BLUE.



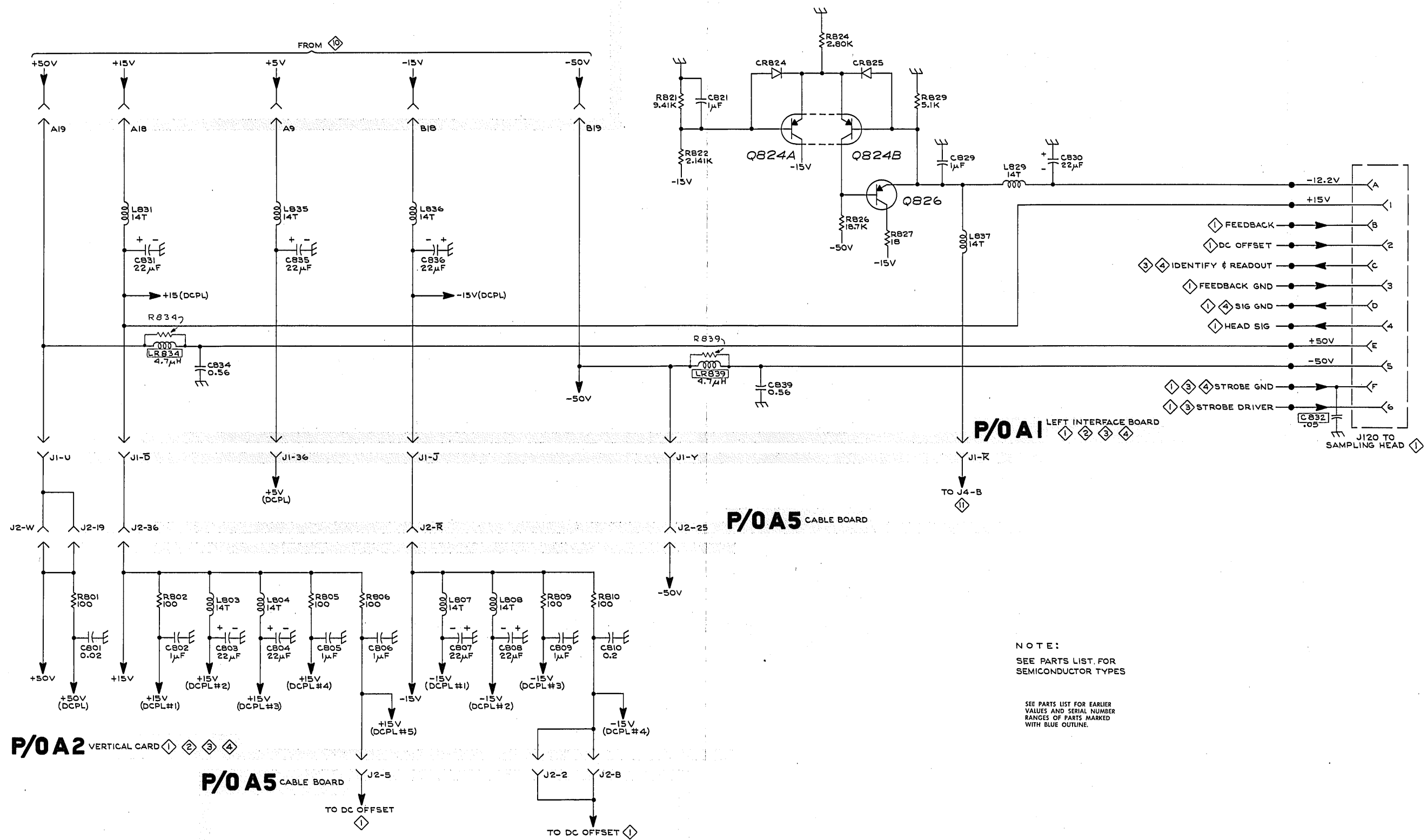
P/O A3 RIGHT INTERFACE BOARD

7S12 SAMPLING UNIT

REV. D, DEC. 1975

TIMING SWITCHES & HORIZ READOUT LOGIC 8 hq 971

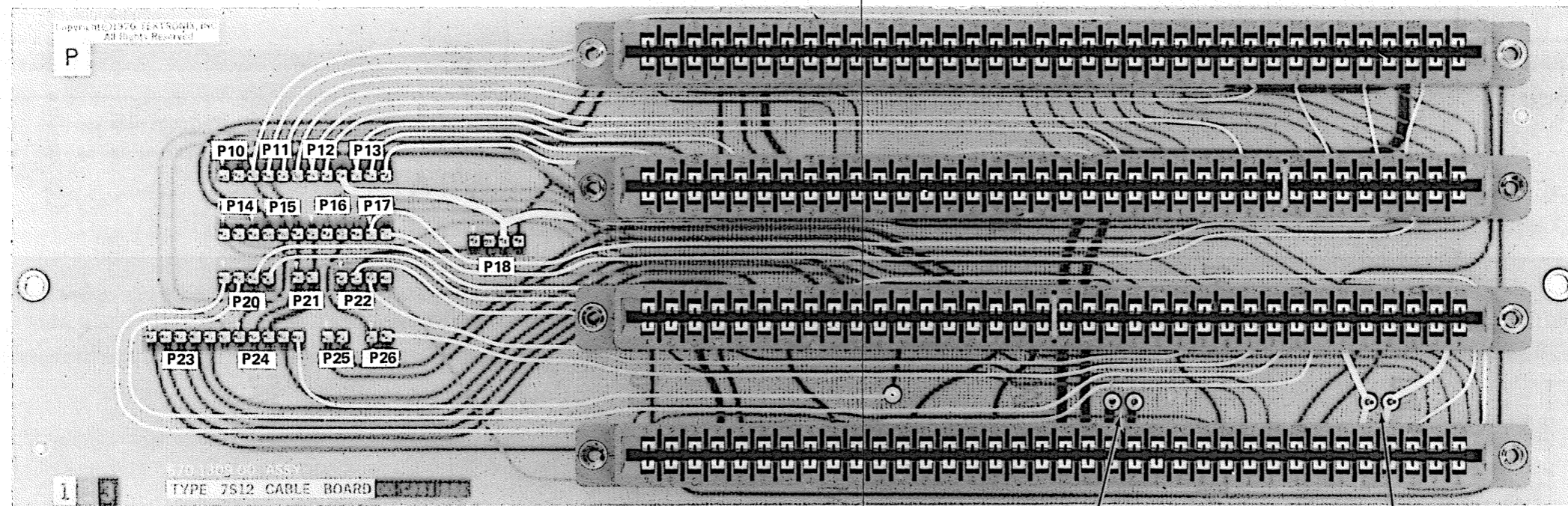
6N15020000-UP



NOTE:  
SEE PARTS LIST FOR SEMICONDUCTOR TYPES

SEE PARTS LIST FOR EARLIER VALUES AND SERIAL NUMBER RANGES OF PARTS MARKED WITH BLUE OUTLINE.

- |  |  |  |   |
|--|--|--|---|
| <p><b>P10</b> Blk 2 pin conn<br/>1 Brn on wht<br/>2 Red on wht</p> | <p><b>P11</b> Brn 4 pin conn<br/>1 Brn on wht<br/>2 Red on wht<br/>3 Orn on wht<br/>4 Yel on wht</p> | <p><b>P12</b> Red 3 pin conn<br/>1 Brn on wht<br/>2 Red on wht<br/>3 Orn on wht</p>                  | <p><b>P13</b> Orn 3 pin conn<br/>1 Brn on wht<br/>2 Red on wht<br/>3 Orn on wht</p> |
| <p><b>P14</b> Yel 2 pin conn<br/>1 Brn on wht<br/>2 Red on wht</p> | <p><b>P15</b> Grn 4 pin conn<br/>1 Brn on wht<br/>2 Red on wht<br/>3 Orn on wht<br/>4 Yel on wht</p> | <p><b>P16</b> Blu 4 pin conn<br/>1 Brn on wht<br/>2 Red on wht<br/>3 Orn on wht<br/>4 Yel on wht</p> | <p><b>P17</b> Vio 2 pin conn<br/>1 Brn on wht<br/>2 Red on wht</p>                  |

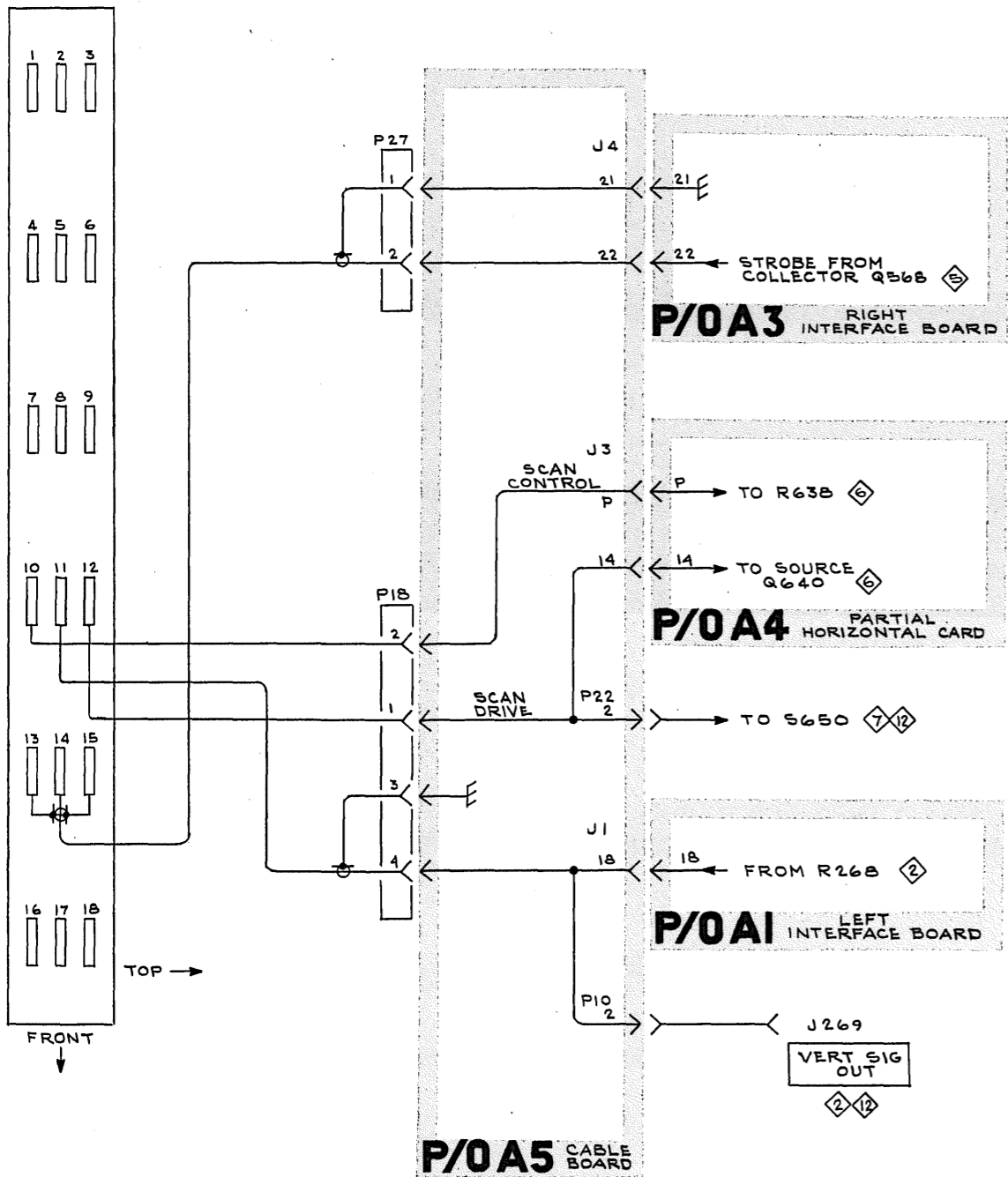


- |  |   |  |  |
|--|---|--|--|
| <p><b>P20</b> Blk 4 pin conn<br/>1 Brn on wht<br/>2 Red on wht<br/>3 Orn on wht<br/>4 Yel on wht</p>                                   | <p><b>P21</b> Brn 2 pin conn<br/>1 Brn on wht<br/>2 Red on wht</p>  | <p><b>P22</b> Red 4 pin conn<br/>1 Brn on wht<br/>2 Red on wht<br/>3 Orn on wht<br/>4 Yel on wht</p> | <p><b>P18</b> Gry 4 pin conn<br/>1 Brn on wht<br/>2 Red on wht<br/>3 Shield<br/>4 Vio on wht (50 Ω Coax)</p> |
| <p><b>P23</b> Orn 6 pin conn<br/>1 Brn on wht<br/>2 Red on wht<br/>3 Orn on wht<br/>4 Yel on wht<br/>5 Grn on wht<br/>6 Blu on wht</p> | <p><b>P24</b> Yel 5 pin conn<br/>1 Brn on wht<br/>2 Red on wht<br/>3 Orn on wht<br/>4 Yel on wht<br/>5 Grn on wht</p> | <p><b>P25</b> Grn 2 pin conn<br/>1 Brn on wht<br/>2 Red on wht</p>                                   | <p><b>P26</b> Blu 2 pin conn<br/>1 Brn on wht<br/>2 Red on wht</p>   |

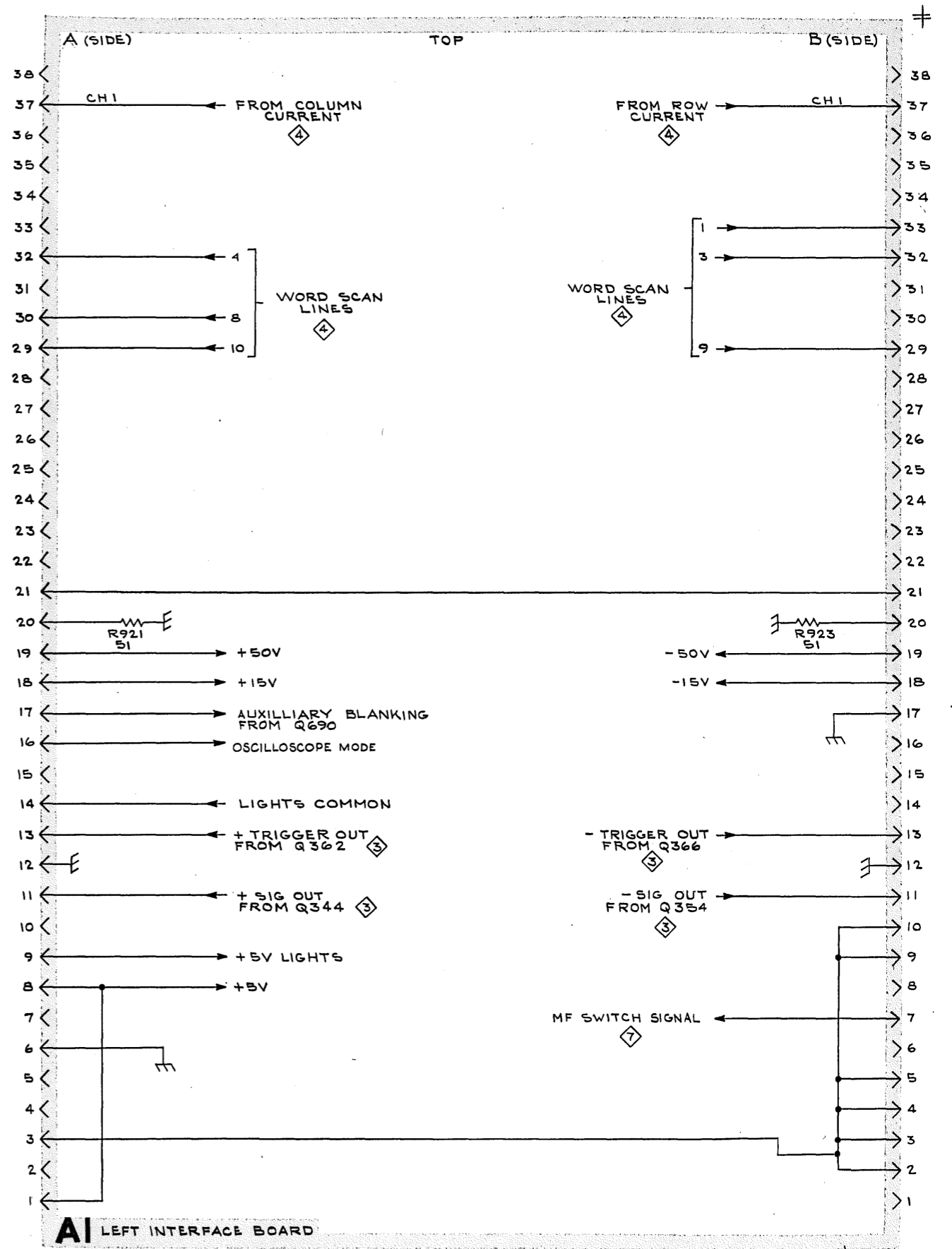
- |  |  |
|--|--|
| <p><b>P27</b> Gry 2 pin conn<br/>1 Shield<br/>2 Grn on wht (50 Ω Coax)</p> | <p><b>P28</b> Wht 2 pin conn<br/>1 Blu on wht (50 Ω Coax)<br/>2 Shield</p> |
|--|--|

Fig. 7-5. Assembly A-5, Cable Board.

(FIXED SHOE)  
J641



7S12 SAMPLING PLUG-IN

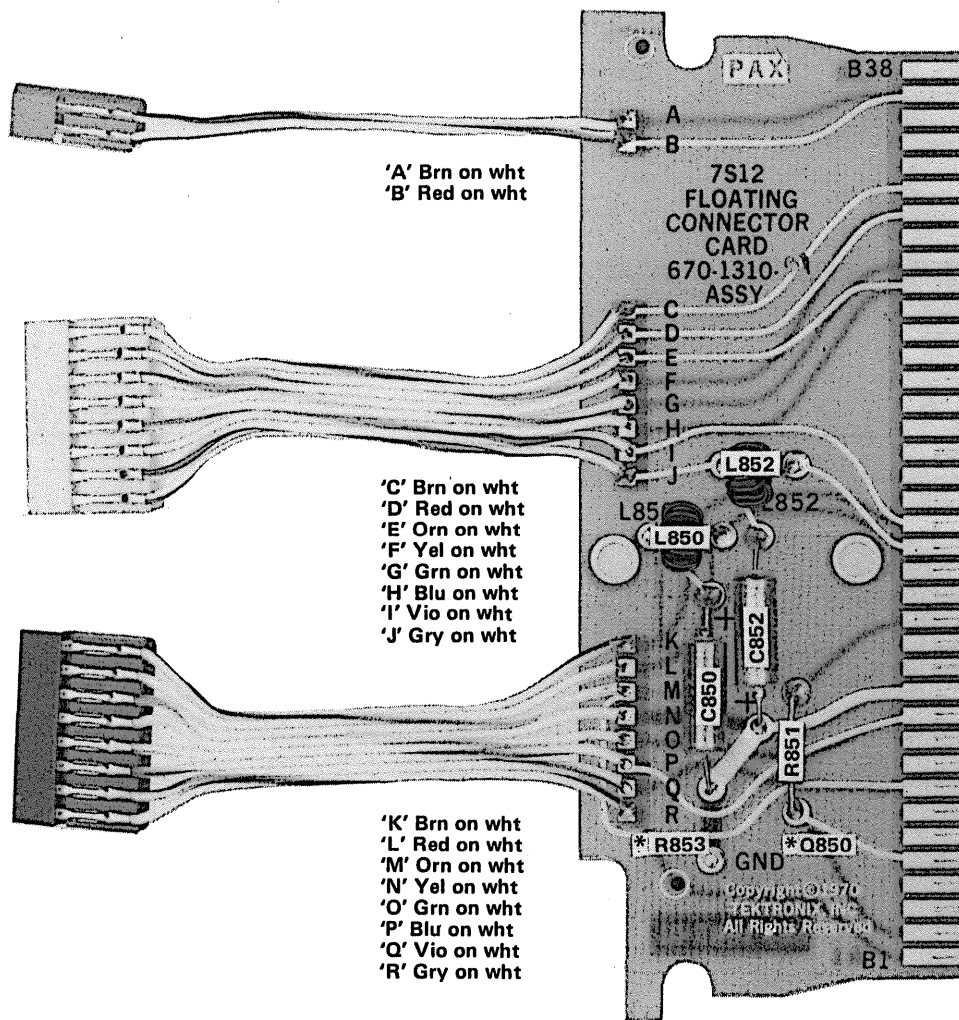


VERTICAL OUTPUT CONNECTORS  
SN B020000-UP

971  
REV. APR 1974

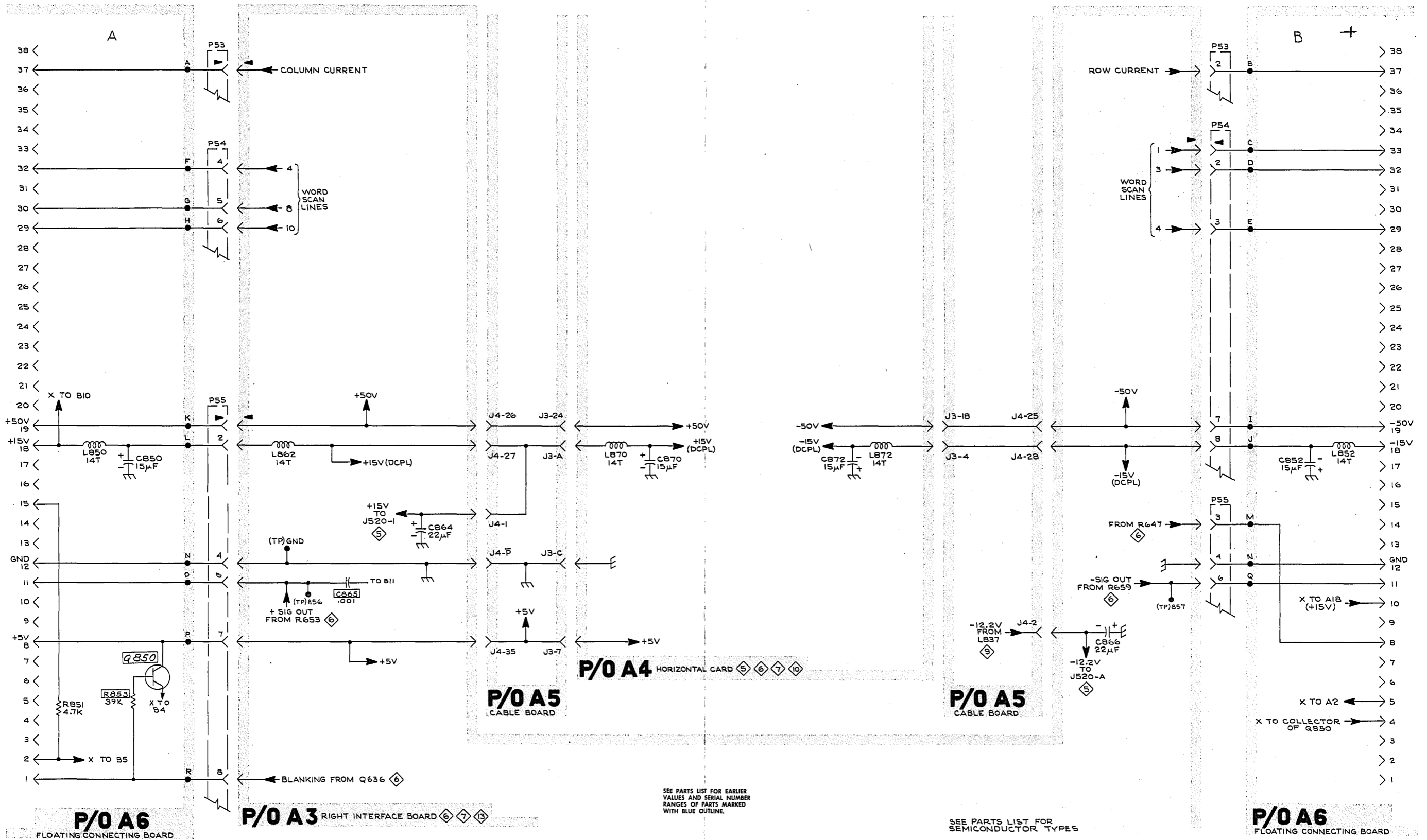
CONNECTORS





\*See Parts List for serial number ranges.

Fig. 7-6. Assembly A-6, Floating Connecting Board.



7S12 SAMPLING PLUG-IN

REV D, JUL. 1978

HORIZONTAL OUTPUT CONNECTORS & POWER DISTRIBUTION 11 GRS 573  
SN B020000-UP

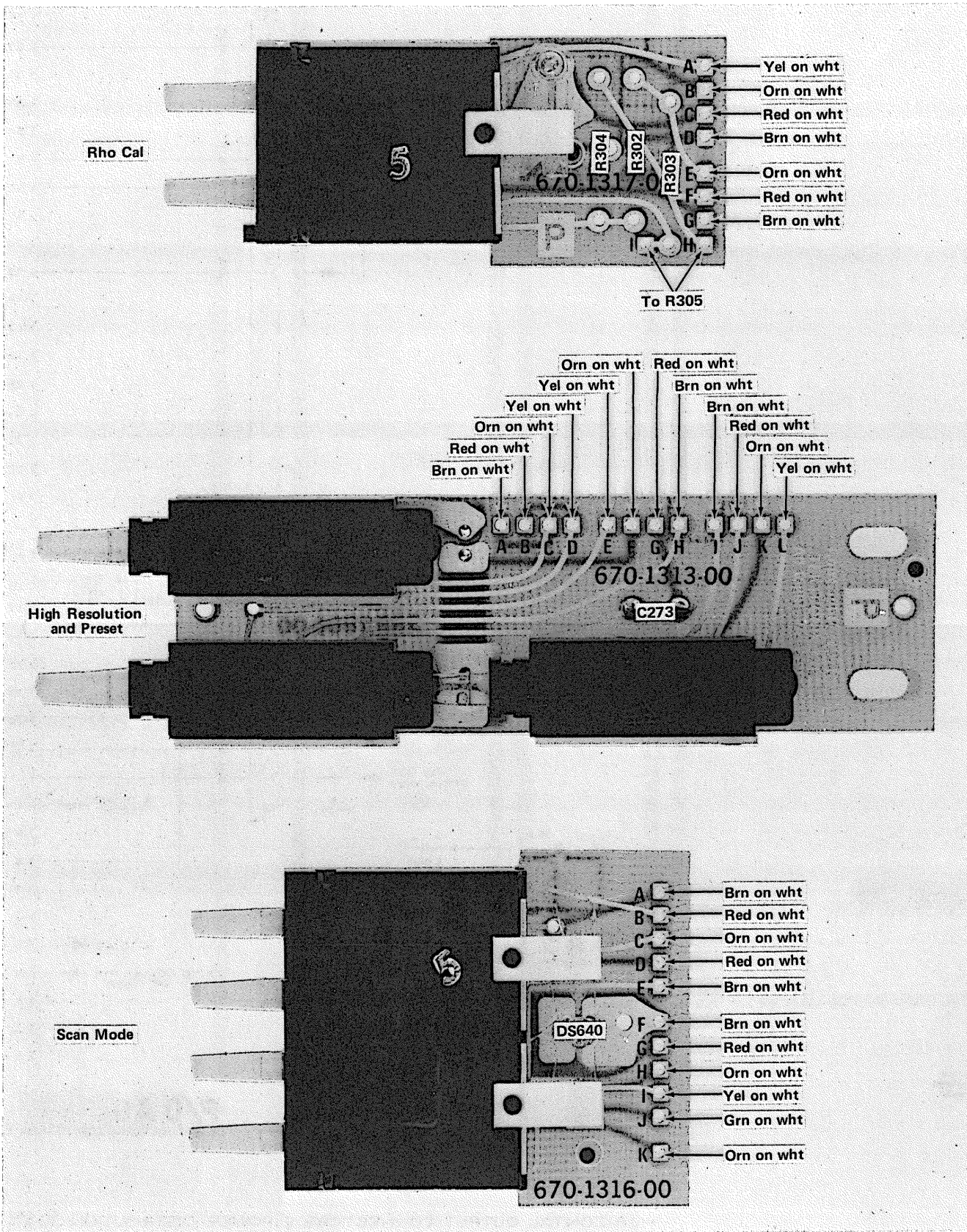
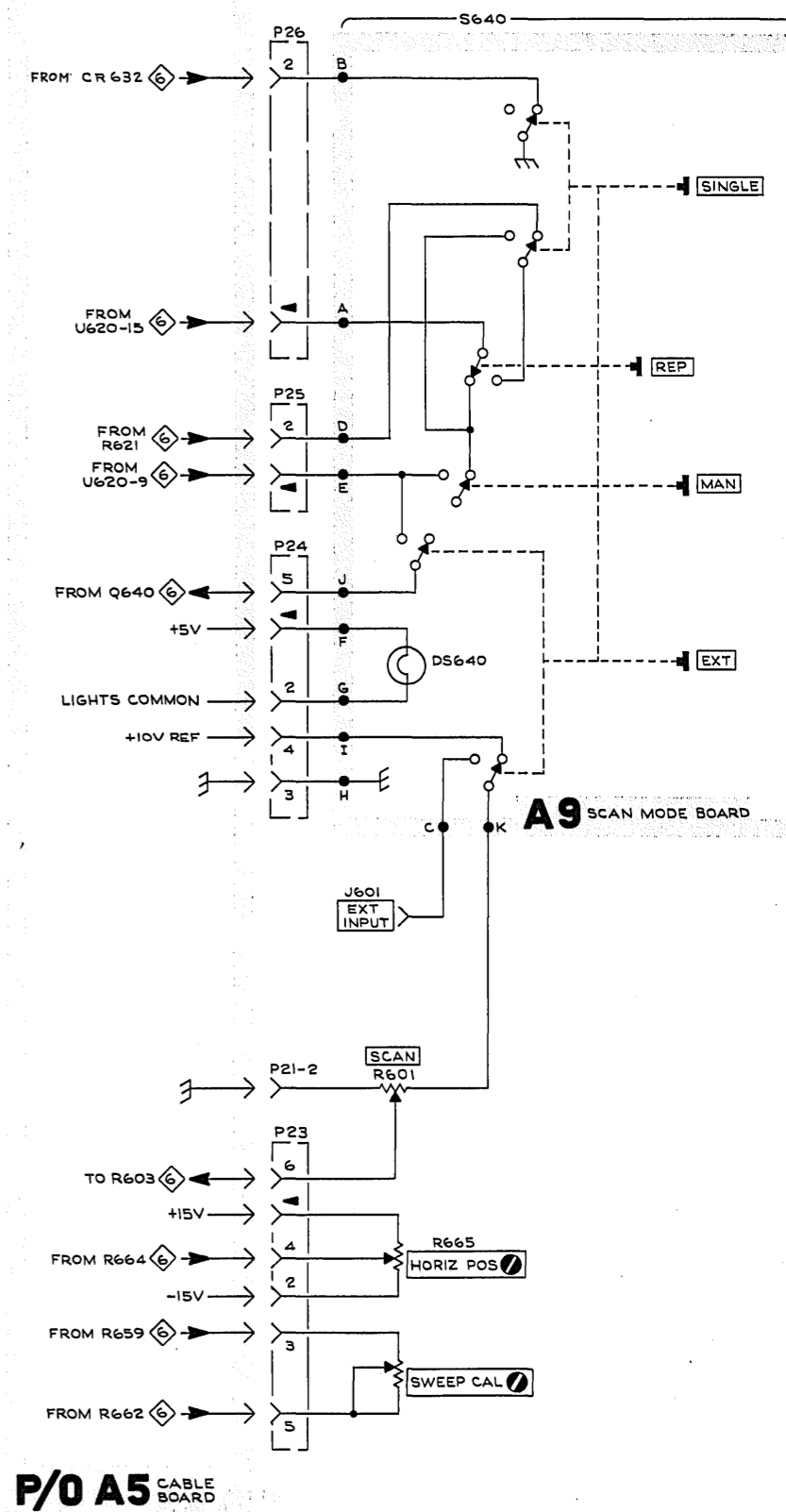
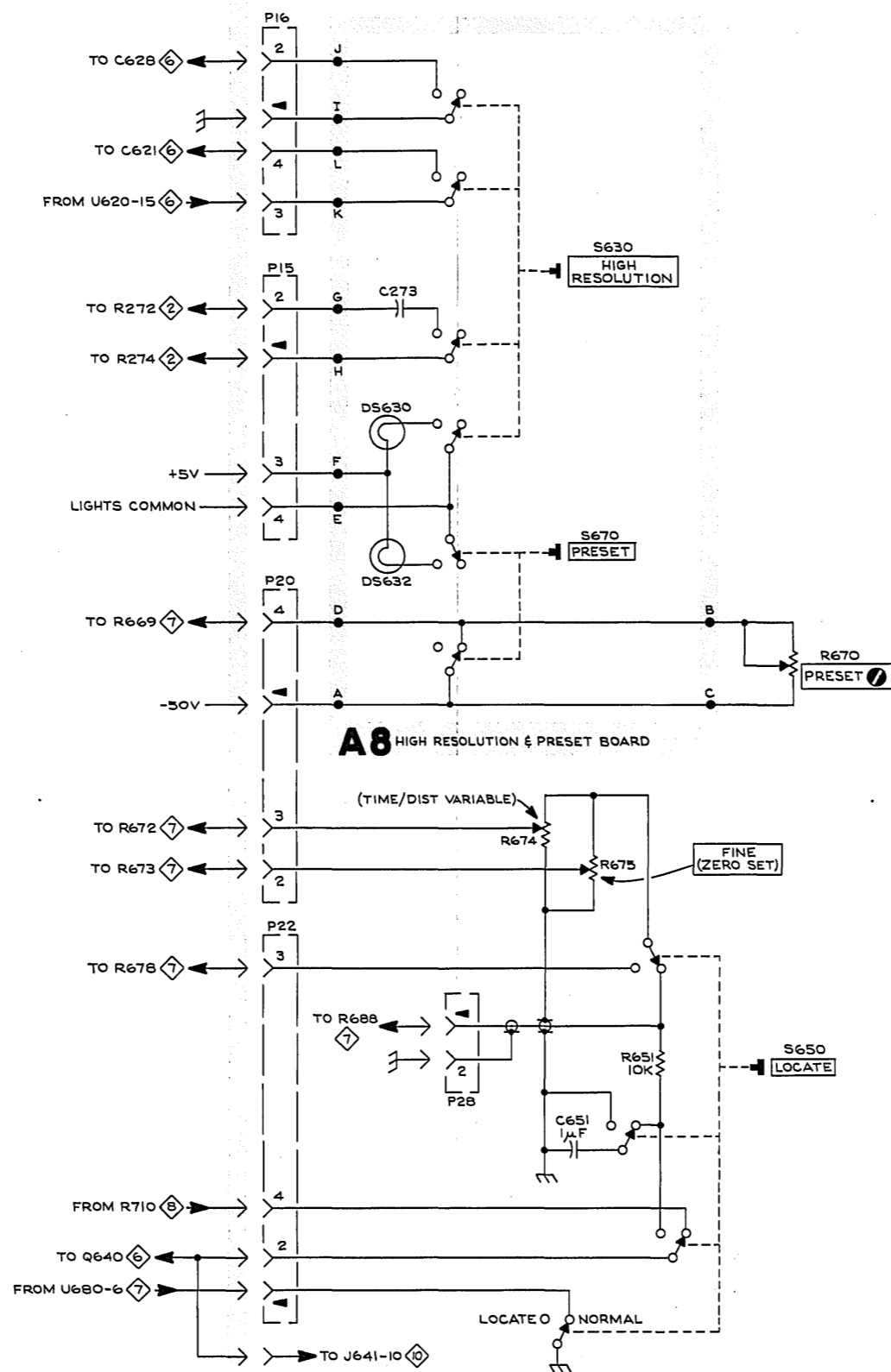
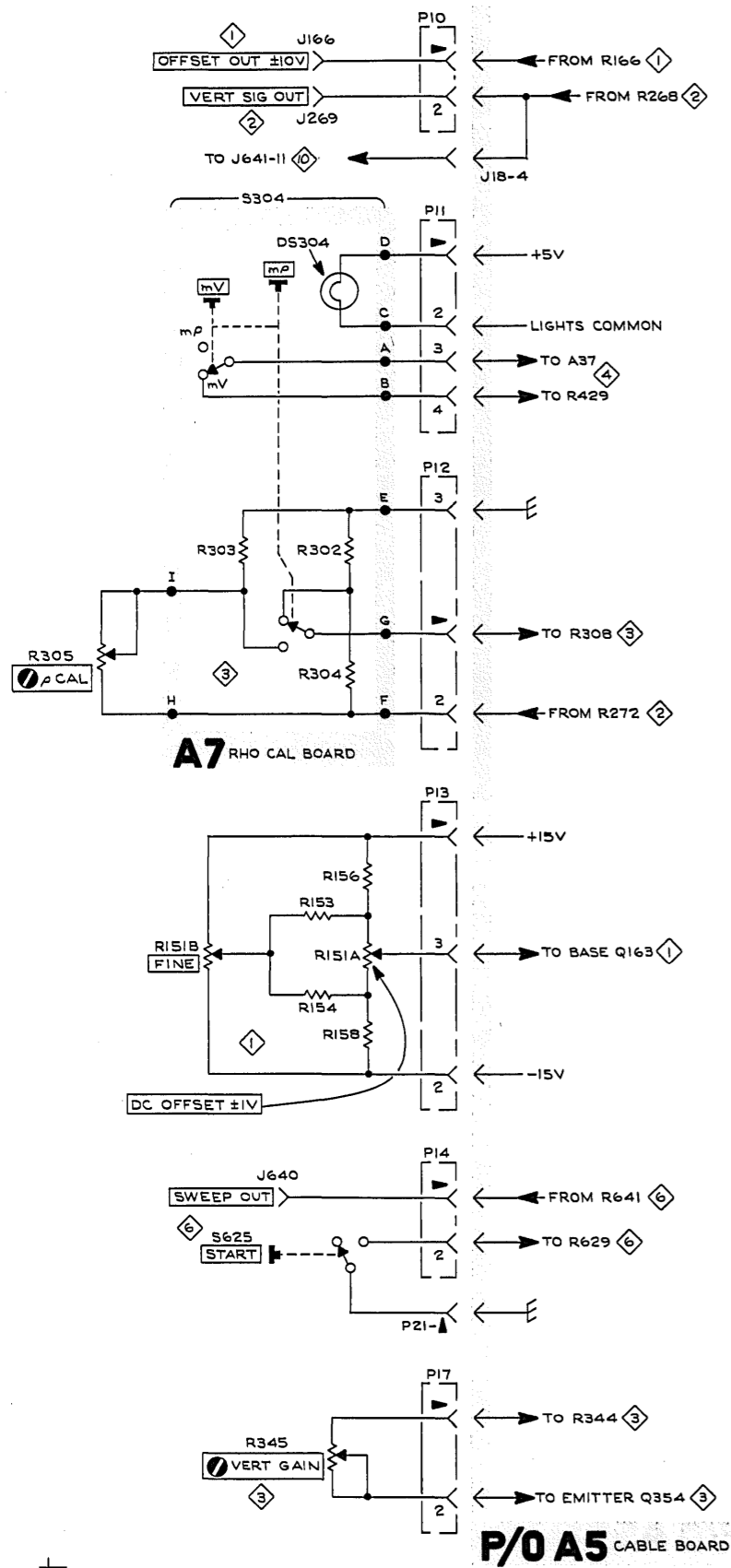


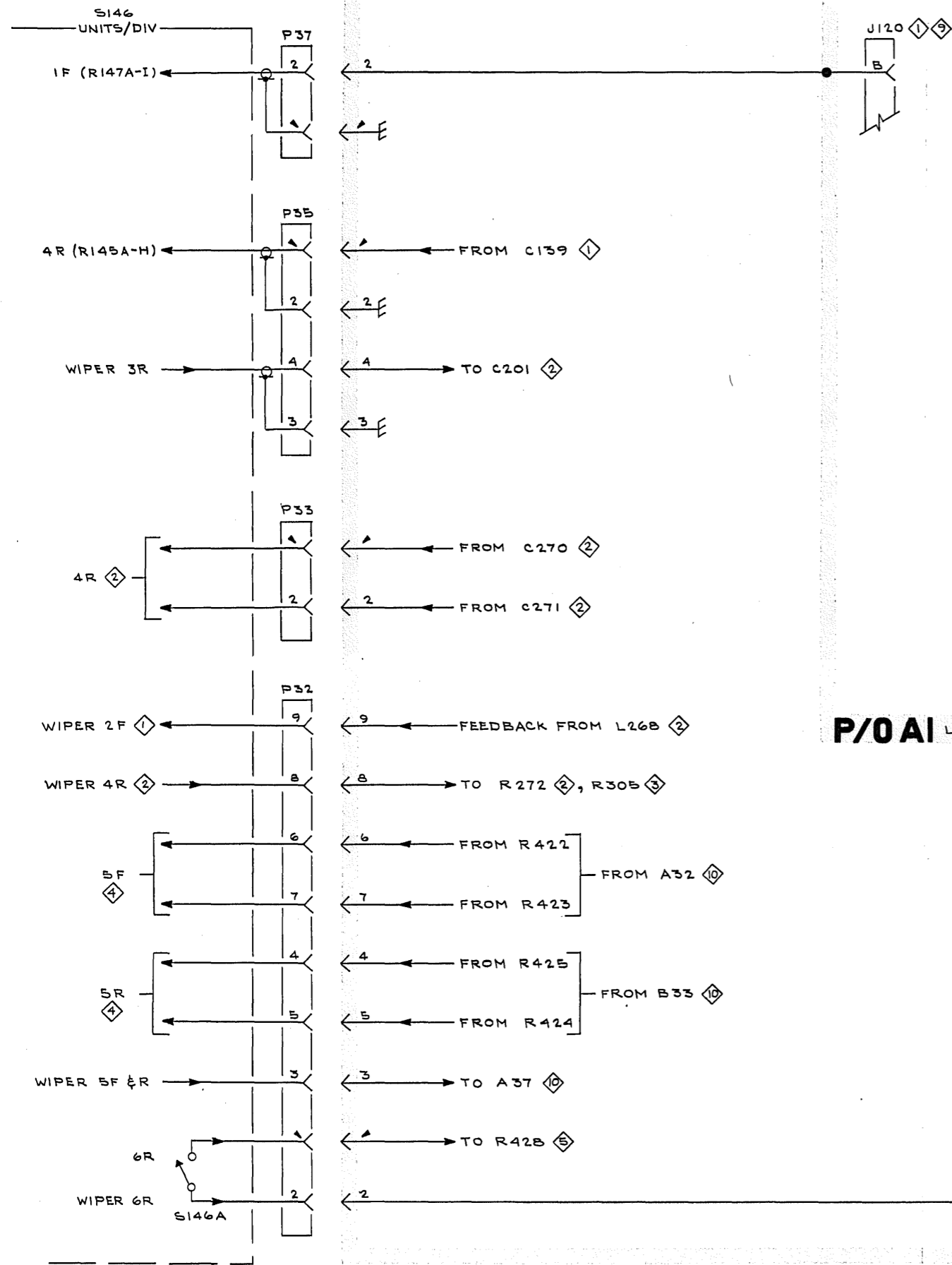
Fig. 7-7. Assemblies A-7, A-8, and A-9.



7512 SAMPLING PLUG-IN

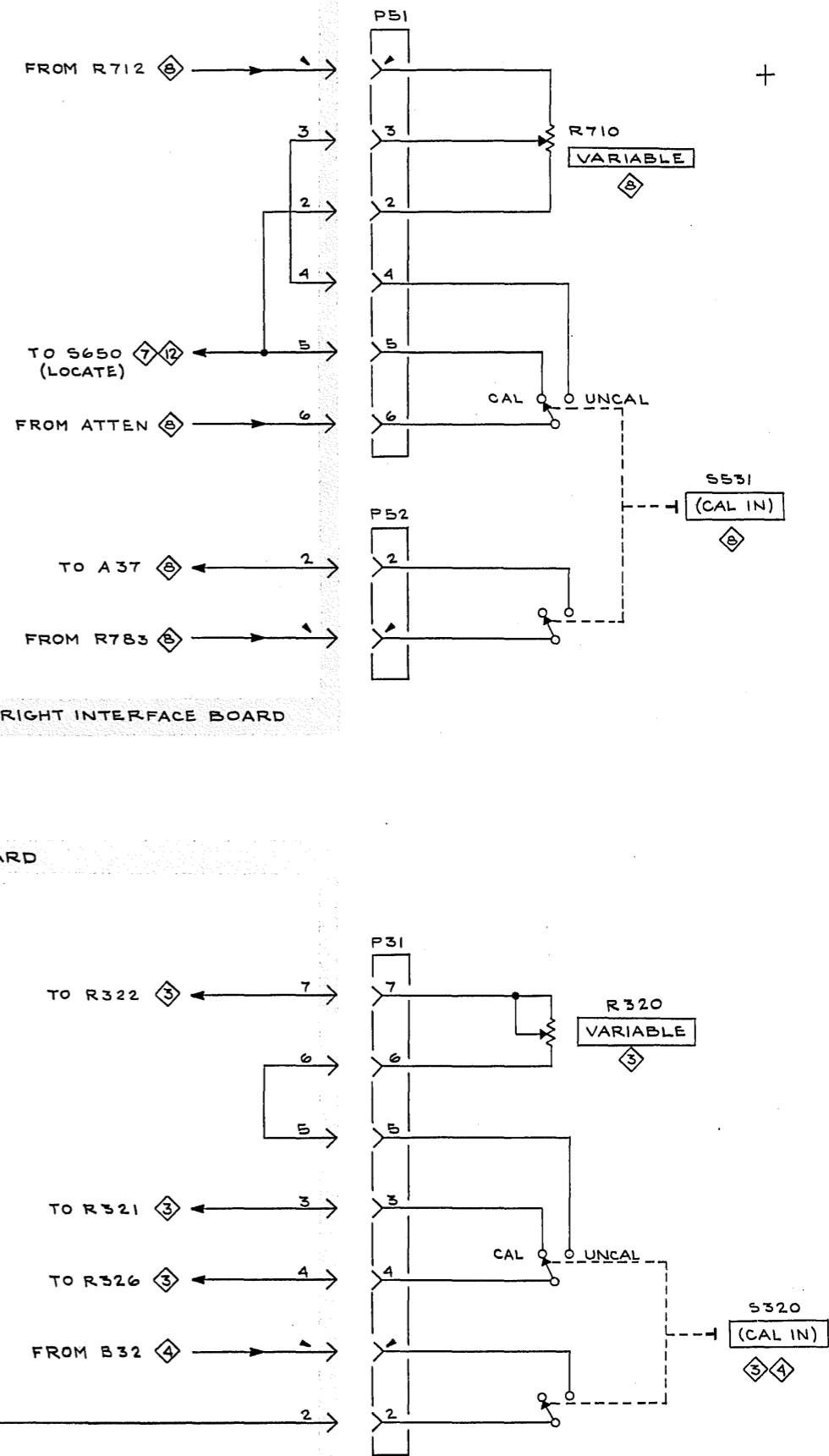
A1

FRONT PANEL CONTROLS & CONNECTORS 12 6RS 971  
SN B020000-UP



**P/O A1** LEFT INTERFACE BOARD

**P/O A3** RIGHT INTERFACE BOARD



**UNITS/DIV & CAL SWITCH CONNECTORS**

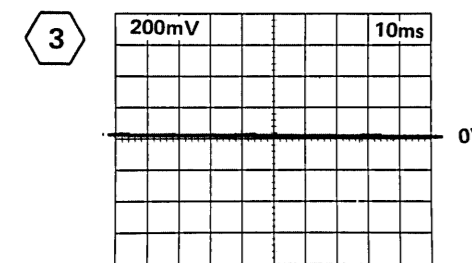
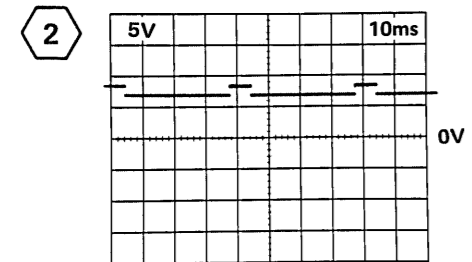
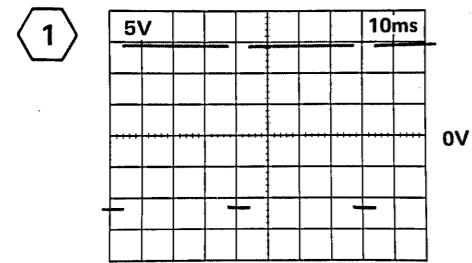
7512 SAMPLING UNIT

hq  
971

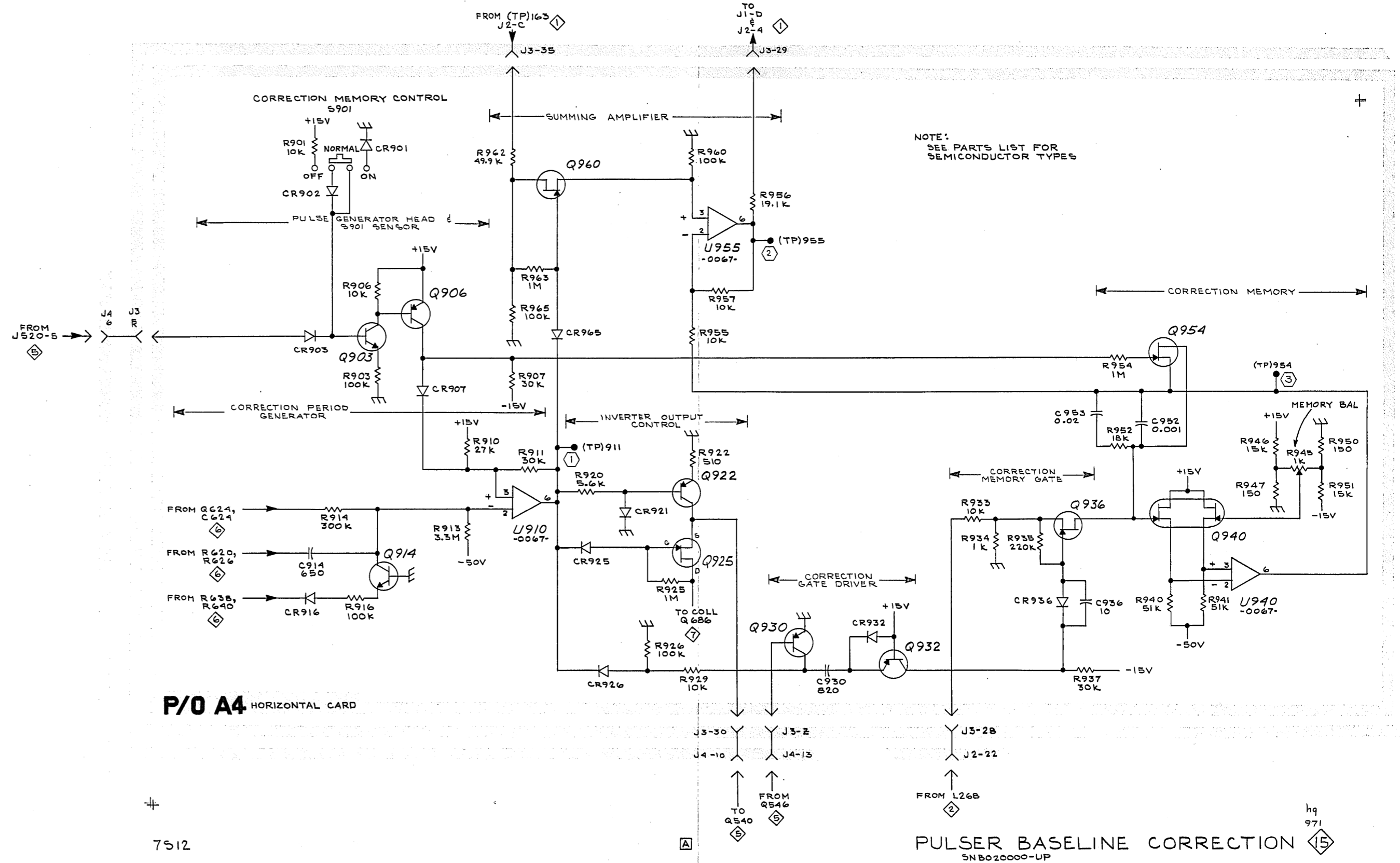
⑬

SN B020000-UP





Test oscilloscope triggered from SWEEP OUT signal. For other conditions see page 7-2.



CORRECTION

