

KV-1352E

RM-620

SERVICE MANUAL

AEP Model
Chassis No. SCC-445A-A



P2E CHASSIS

September, 1982

SPECIFICATIONS

Television system	CCIR TV standards (system B, G and H)
Color system	PAL
Channel coverage	VHF channels E2-4 (Band I) E5-12 (Band III) UHF channels E21-68 (Band IV/V)
Picture tube	33 cm (13"), 90-degree deflection Trinitron system (31 cm screen measured diagonally)
Antenna	75-ohm standard antenna socket
Speaker	10 cm (4 inches) dia.
Audio output	2 W (with 10% harmonic distortion)
Power requirements	220-240 V ac, 50 Hz
Power consumption	58 W
Dimensions	Approx. 338 × 359 × 378 mm (w/h/d)
Weight	Approx. 11.5 kg
Accessories supplied	Remote Commander RM-620 Earphone

Design and specifications are subject to change without notice.

TRINITRON®
COLOR TV RECEIVER
SONY®




CTV

TABLE OF CONTENTS

<u>Section</u>	<u>Title</u>	<u>Page</u>
1. GENERAL		
1-1.	Location of Parts and Controls	4
1-2.	Program Presetting	6
1-3.	How to Operate the TV	7
1-4.	Picture Adjustments	7
1-5.	Remote Control Operation	8
1-6.	External Antenna Connection	10
1-7.	VTR Connection	10
2. DISASSEMBLY		
2-1.	Rear Panel Removing	11
2-2.	Removing the Upper Cabinet	11
2-3.	A Block Assembly Removal	11
2-4.	Removing the CRT	12
2-5.	OPK-102 Attaching	13
2-6.	OPK-103 Attaching	15
3. DIAGRAMS		
3-1.	Circuit Boards Location	17
3-2.	Block Diagram	17
3-3.	Semiconductors	20
3-4.	Schematic Diagram	21
3-5.	Printed Wiring Board	25
3-6.	Tuner Schematic Diagram BT-881	30
4. EXPLODED VIEWS		
1.	Bezel	31
2.	Cabinet	32
3.	Chassis	33
5. ELECTRICAL PARTS LIST		
REMOTE CONTROL UNIT (RM-620)		
1.	Schematic Diagram	44
2.	Printed Wiring Board	45
	Exploded View	46
	Electrical Parts List	47

SAFETY-RELATED COMPONENT WARNING!!

COMPONENTS IDENTIFIED BY SHADING AND MARK  ON THE SCHEMATIC DIAGRAMS, EXPLODED VIEWS AND IN THE PARTS LIST ARE CRITICAL TO SAFE OPERATION. REPLACE THESE COMPONENTS WITH SONY PARTS WHOSE PART NUMBERS APPEAR AS SHOWN IN THIS MANUAL OR IN SUPPLEMENTS PUBLISHED BY SONY. CIRCUIT ADJUSTMENTS THAT ARE CRITICAL TO SAFE OPERATION ARE IDENTIFIED IN THIS MANUAL. FOLLOW THESE PROCEDURES WHENEVER CRITICAL COMPONENTS ARE REPLACED OR IMPROPER OPERATION IS SUSPECTED.

SECTION 1

GENERAL

PRECAUTIONS

USE

- Operate the unit only on 220–240 V ac, 50 Hz.
- Should any liquid or solid object fall into the cabinet, unplug the unit and have it checked by qualified personnel before operating it any further.
- Do not attempt to make any of the adjustments at the small holes in the rear of the unit. These are special adjustments to be performed only by qualified personnel.
- Unplug the unit from the wall outlet if it is not to be used for several days.
- To disconnect the ac power cord, pull it out by the plug. Never pull the cord itself.

INSTALLATION

- Allow adequate air circulation to prevent internal heat build-up. Do not place the unit on surfaces (rugs, blankets, etc.) or near materials (curtains, draperies) that may block the ventilation holes.
- Do not install the unit in a location near heat sources such as radiators or air ducts, or in a place subject to direct sunlight, excessive dust, mechanical vibration or shock.

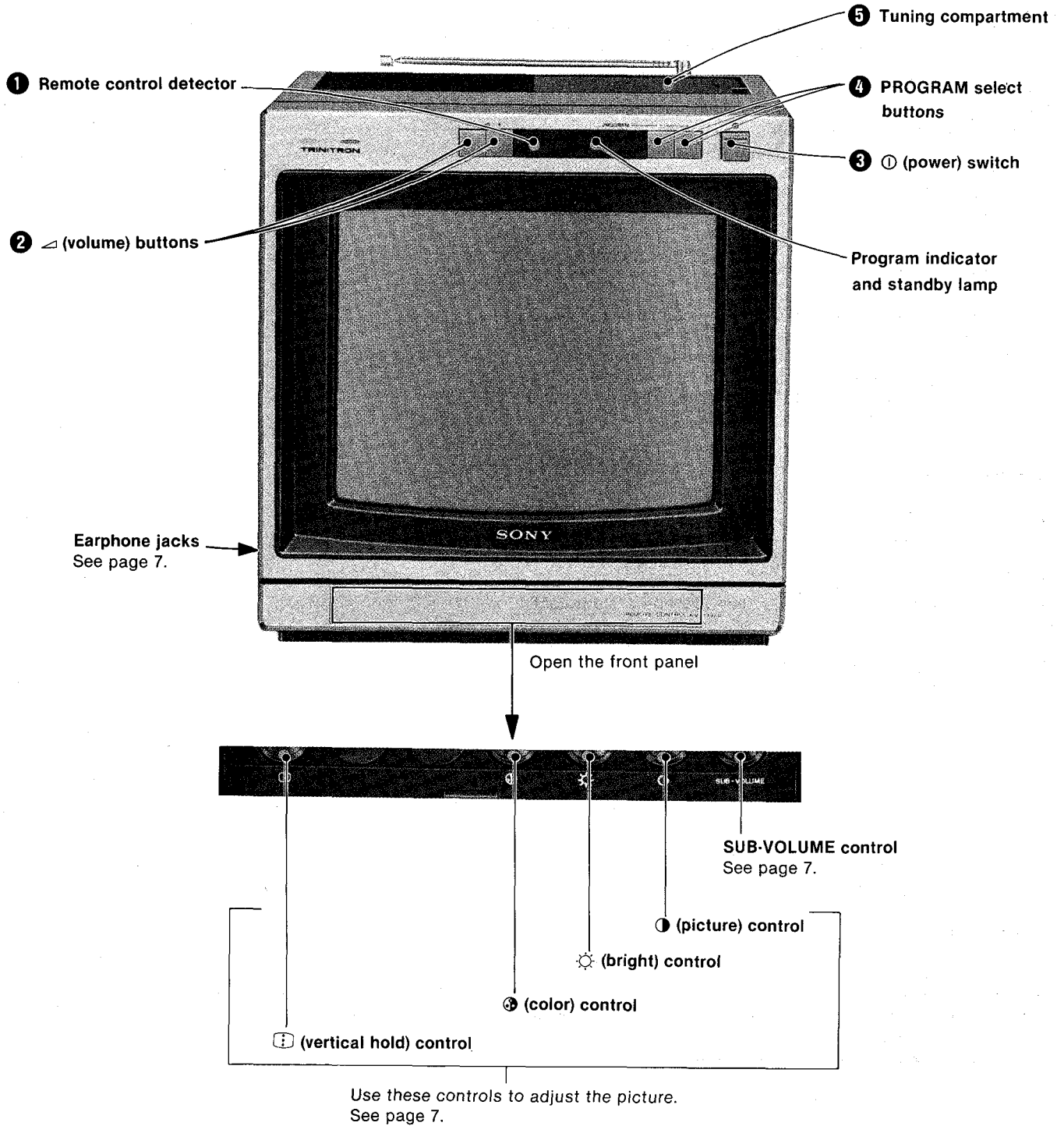
MAINTENANCE

- Save the original shipping carton and packing material; they will come in handy if you ever have to ship your unit. For maximum protection, repack your unit as it was originally packed at the factory.
- To keep the unit looking brand-new, periodically clean it with a soft cloth. Stubborn stains may be removed with a cloth lightly dampened with a mild detergent solution. Never use strong solvents such as thinner or benzine, or abrasive cleansers since these will damage the cabinet. As a safety precaution, unplug the unit before cleaning it.

FEATURES

- Remote-control color television
- Built-in automatic fine tuning
- Reception of all VHF and UHF channels based on CCIR TV standards and PAL color system
- Energy-saving quick-start picture system

1-1. LOCATION OF PARTS AND CONTROLS



1 Remote control detector

Point the infrared transmitter of the supplied Remote Commander here.

2 (volume) buttons

Adjust the volume from the level preset by the SUB-VOLUME control. Press the + button to increase the volume and press the – button to decrease.

3 (power) switch

Press to turn the TV on. Press again to turn it off. When the TV is operated with the supplied Remote Commander, this switch must be depressed.

4 PROGRAM select buttons

Press + to select a program with a higher number and – to select a program with a lower number. This TV has 12 program positions, to each of which a particular channel can be preset.

5 Tuning compartment

All the switches and controls for channel presetting are in this compartment. For their operation, see page 6.

Telescopic antenna

For optimum VHF and UHF reception, use this antenna.

VHF/UHF antenna socket

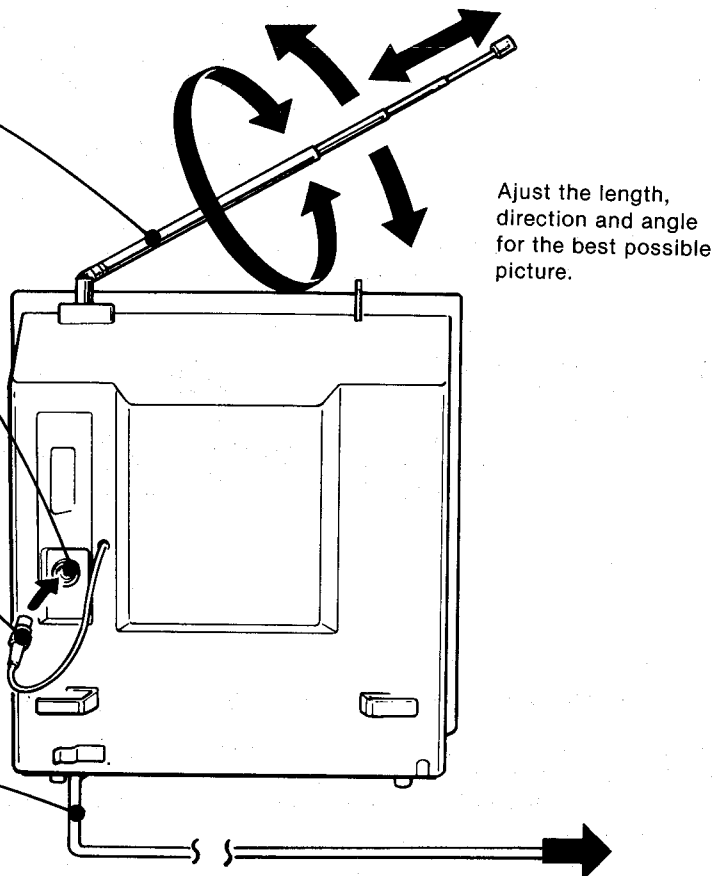
Connect the telescopic antenna here. If you prefer to use an external antenna, connect it here.

Telescopic antenna plug

Plug into the VHF/UHF antenna socket.

AC power cord

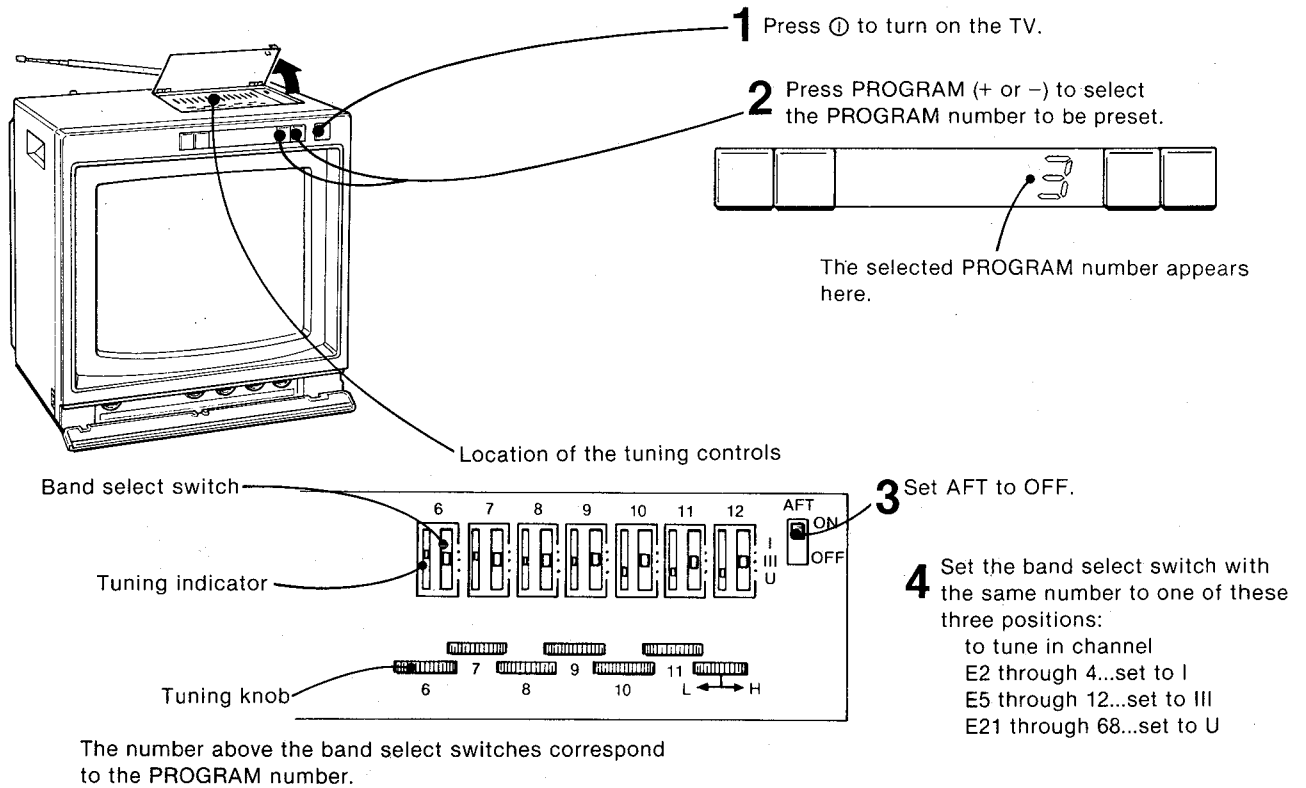
Connect to a 220–240 V wall outlet.



This TV is supplied with an RM-620 Remote Commander. See "REMOTE CONTROL OPERATION" on page 8.

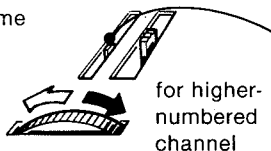
1-2. PROGRAM PRESETTING

Once you preset the programs broadcast in your area, program selection is simply made by pressing the PROGRAM select buttons on the TV or by using hand-held Remote Commander. You can preset as many as 12 programs.



- 5** Turn the tuning knob with the same number until the desired channel is properly tuned in.

for lower-numbered channel



for higher-numbered channel

The tuning indicator provides a visual indication of the approximate location of the tuning knob within the operating range of the band select switch.

- Repeat steps **2** through **5** for all the channels you wish to preset.
- 6** Set AFT to ON when all the channels have been preset, then close the compartment lid.
The AFT then locks in the received signal and maintains a sharp picture.
- In case of extreme interference or of an extremely weak station more pleasing results may be maintained with the AFT switch set to OFF.
 - After presetting has been completed, select the PROGRAM number in numerical sequence with the PROGRAM select button to check the results of presetting, referring to your local TV listing

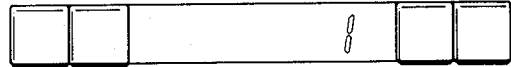
If a Sony OPK-102 SECAM adaptor (optional) is built into the TV, SECAM color programs can be seen. Operate the TV as usual. For details, refer to the instruction manual of the OPK-102.

1-3. HOW TO OPERATE THE TV

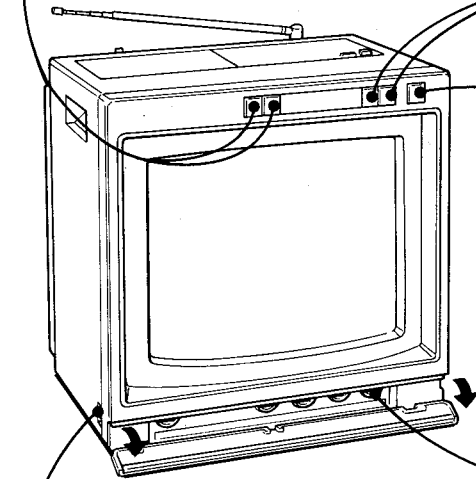
3 If you want to adjust the volume from its preset level, press Δ (+ or -).

2 Press PROGRAM (+ or -) to select the desired PROGRAM number. While the PROGRAM + or - button is kept depressed, no picture appears on the TV screen.

1 Press \odot to turn the TV on.



When the TV is turned on, the PROGRAM number "1" appears.



To listen with the earphone (supplied)

For private listening, insert the earphone plug into the [•] earphone jack. This disconnects the loudspeaker. The use of the [•] jack permits the earphone and the loudspeaker to be used simultaneously. TV sound may be recorded by connecting a tape recorder to the [•] jack with a suitable connecting cord. Adjust the TV volume for a normal listening level.

PRESETTING THE VOLUME

Preset the volume at the level you usually listen with the SUB-VOLUME control after turning the TV on.



Everytime you turn the TV on, the volume will be at this level.

1-4. PICTURE ADJUSTMENTS

This TV always turns on with the factory-preset constant color and contrast levels. If necessary, make the following adjustments:

If the picture rolls vertically

Turn the \updownarrow control to the left or right until the picture stabilizes.



To obtain natural skin tones

If the picture is too vivid



If the picture is too pale



To brighten or to darken the picture

If the picture is too bright



If the picture is too dark



Generally set the control at the center detent position.

(in the front panel)



To increase or decrease contrast

If the picture has too strong contrast with very vivid color

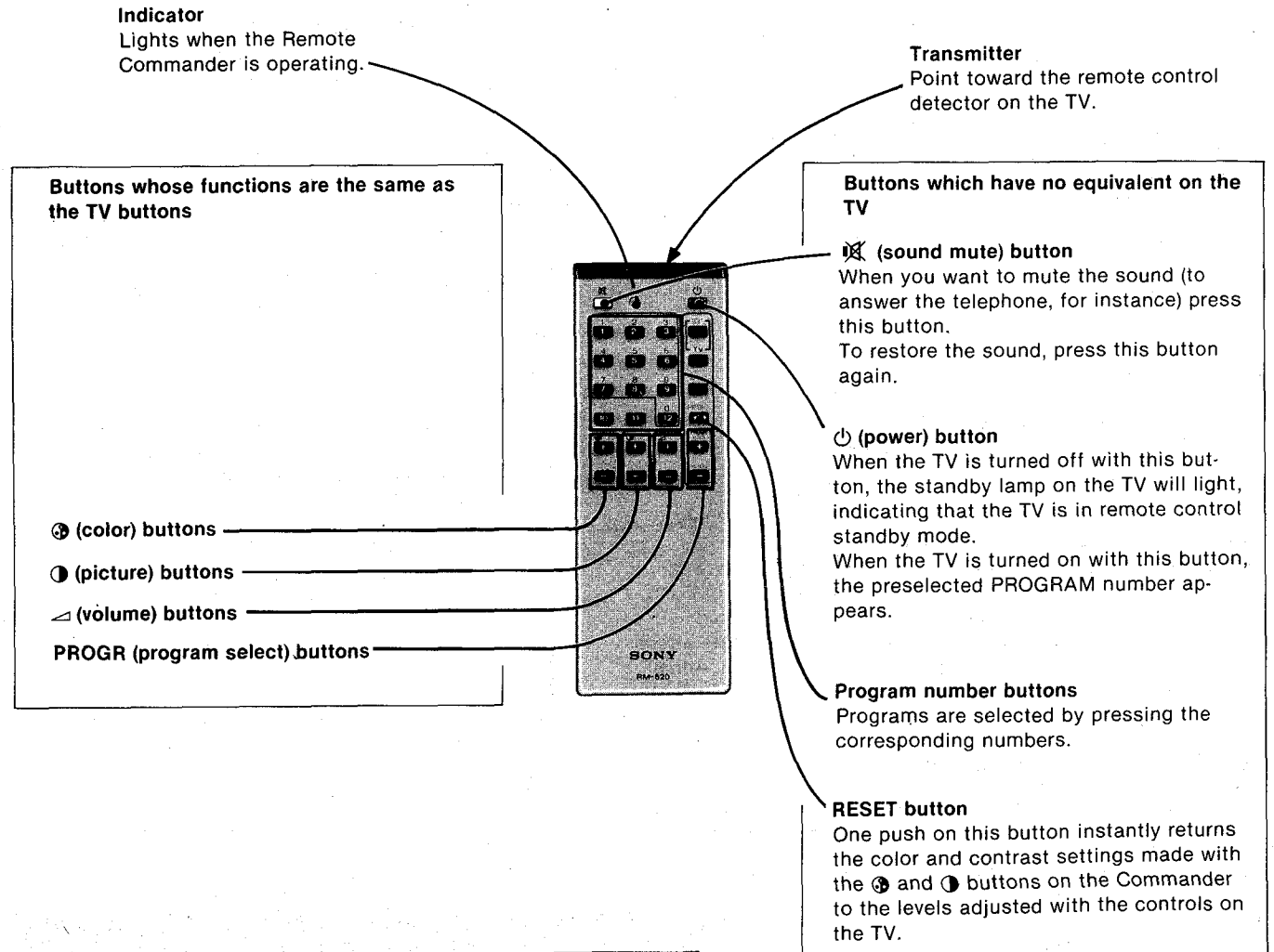


If the picture has weak contrast with pale color



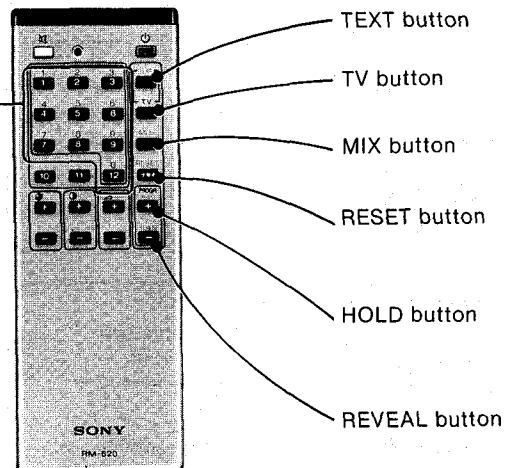
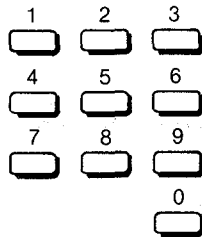
1-5. REMOTE CONTROL OPERATION

FUNCTION OF THE BUTTONS ON THE REMOTE COMMANDER RM-620

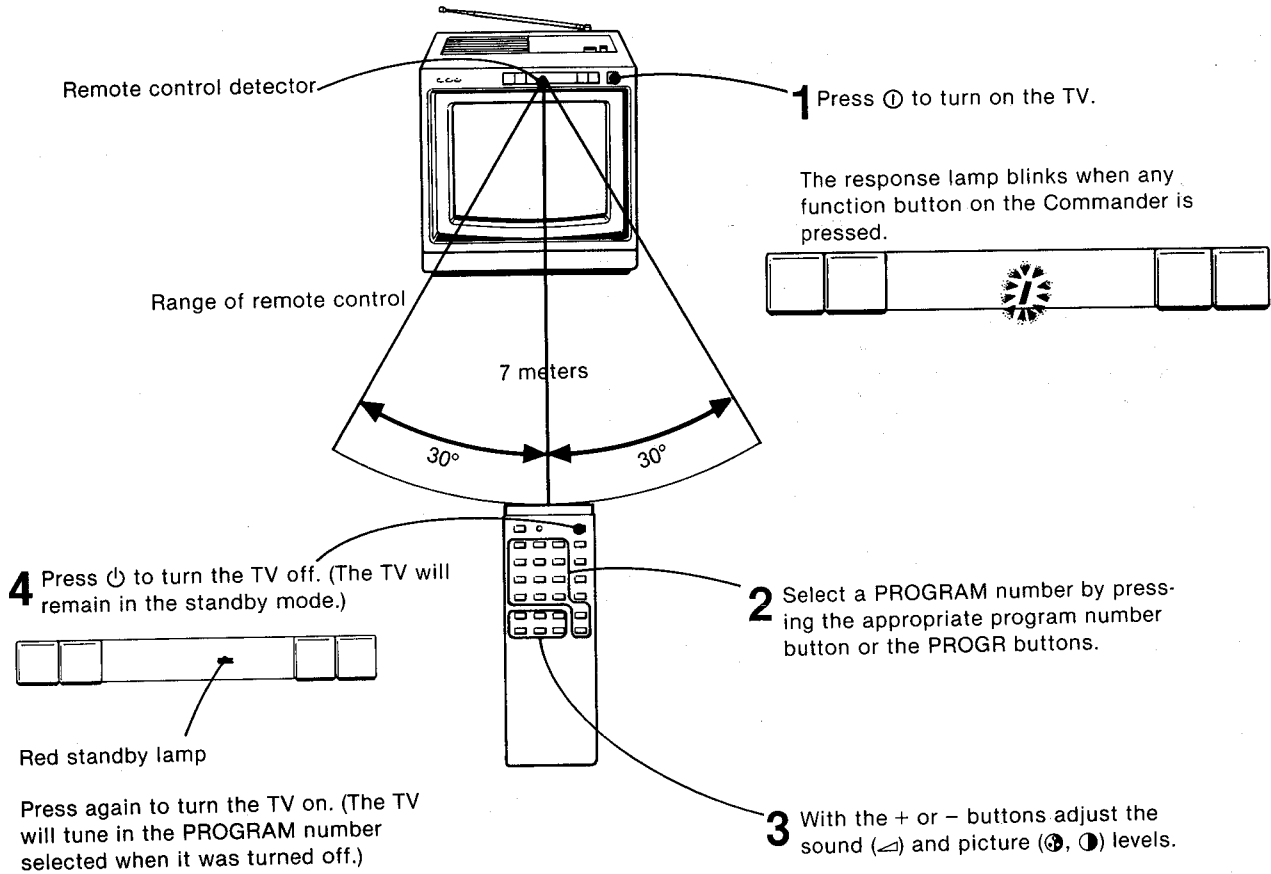


Following functions are operated by asking your dealer to build in a Sony OPK-103 teletext adaptor (optional).
For details, refer to the instruction manual of the OPK-103.

Numerical buttons



OPERATION WITH THE REMOTE COMMANDER

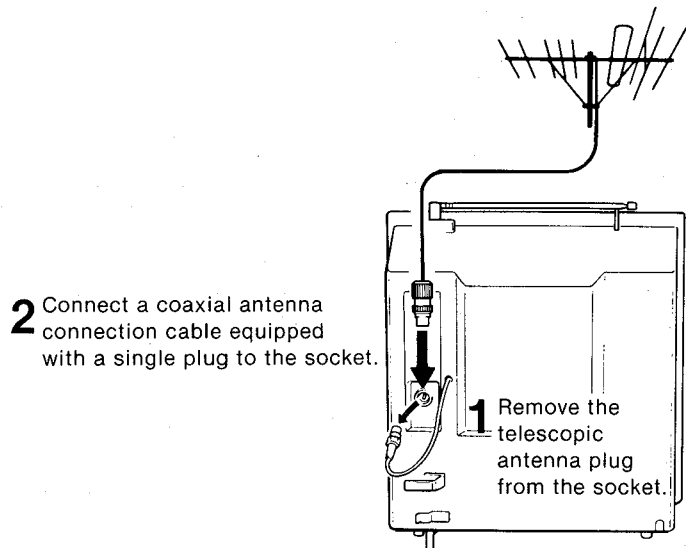


Notes on the Remote Commander

- In normal use, battery life is up to half a year. When the batteries are exhausted, the Commander will not operate the TV properly. In this case, replace the batteries with new ones.
- When the Commander is not to be used for a long period of time, remove the batteries to avoid damage from possible battery leakage.
- Keep the Commander away from extremely hot or humid places.
- Avoid dropping any foreign objects into the Commander case, particularly when replacing batteries.
- The supplied RM-620 Commander may be used only with those Sony color TV models indicated in the operating instructions.
- If the TV is turned off with the Remote Commander (so the standby lamp lights up), the program, volume and picture settings will remain the same when the TV is turned on again.
- If the power supply is interrupted or the ac power cord is disconnected during operation, the TV will enter into the standby mode when the power is restored.

1-6. EXTERNAL ANTENNA CONNECTION

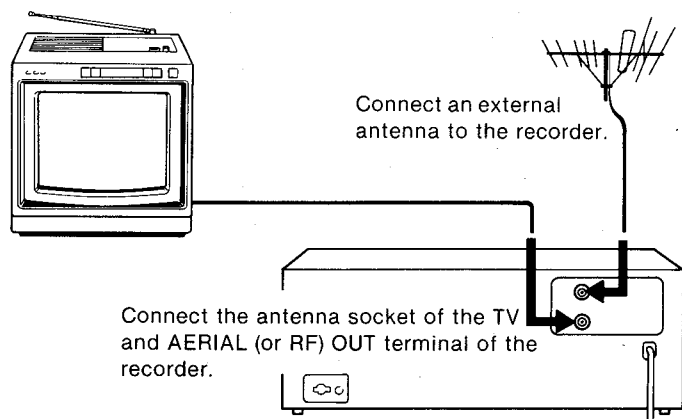
The built-in telescopic antenna will provide good reception in most reception areas. If you cannot obtain satisfactory reception with it, the use of an outdoor antenna is recommended.



Your Sony dealer will be pleased to advise you which type of antenna is best suited to your location.

1-7. VTR CONNECTION

When a video cassette recorder is connected to the TV, you can view the playback of a recorded tape or a TV program.

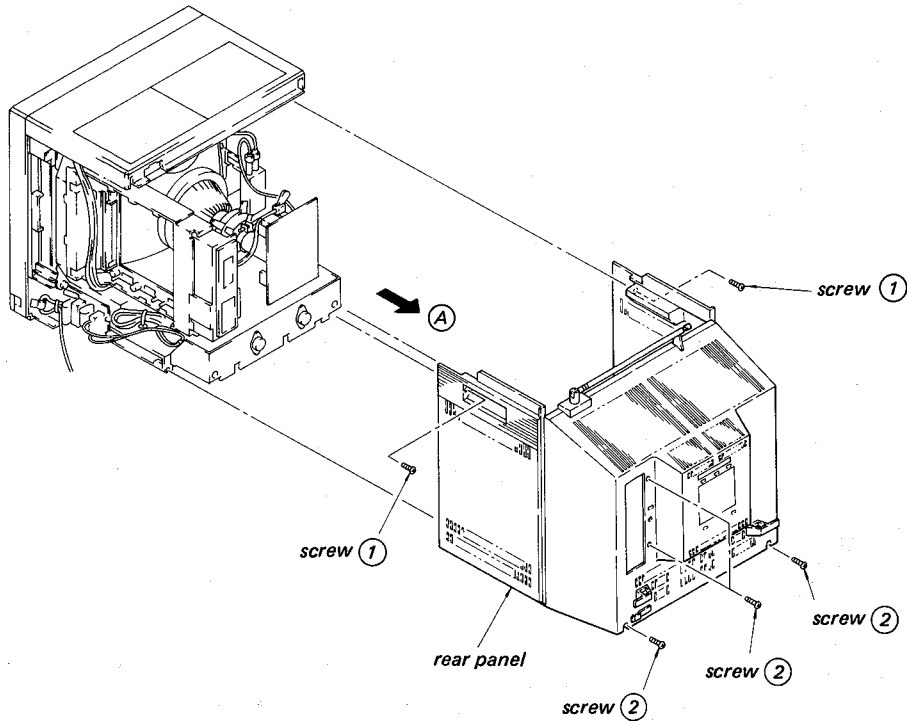


For details, refer to the operating instructions furnished with the recorder.

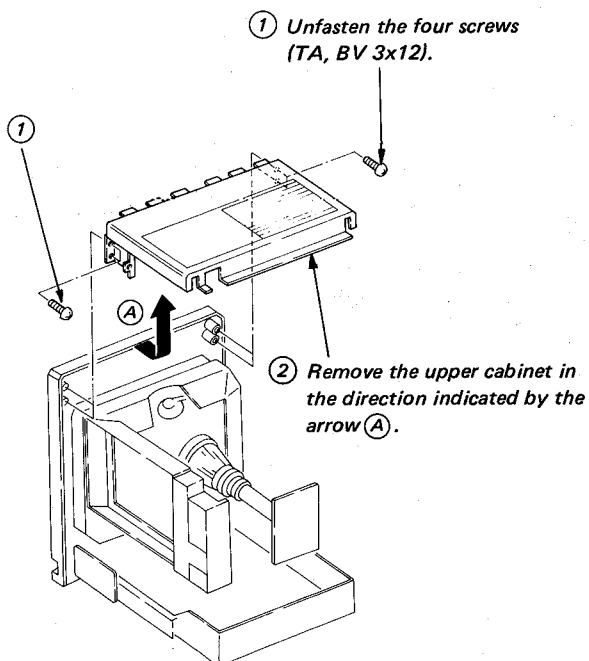
SECTION 2 DISASSEMBLY

2-1. REAR PANEL REMOVING

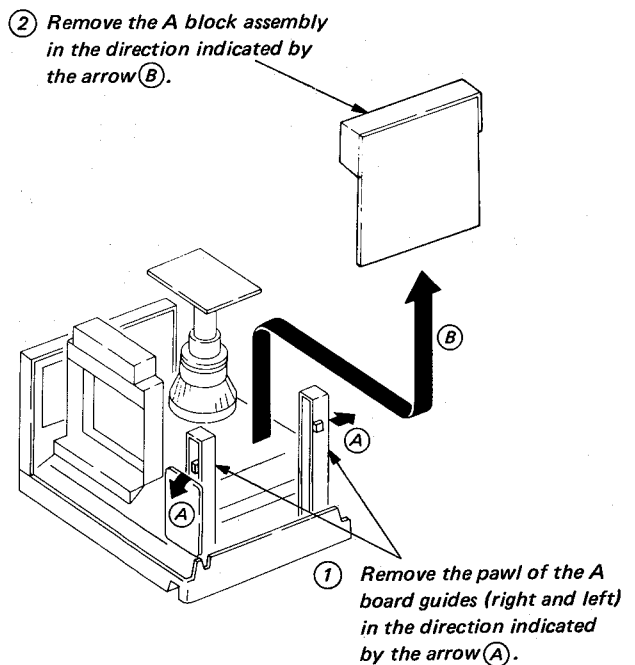
1. Remove the two screws ①.
2. Remove the four screws ②.
3. Remove the rear panel in the direction indicated by the arrow (A).



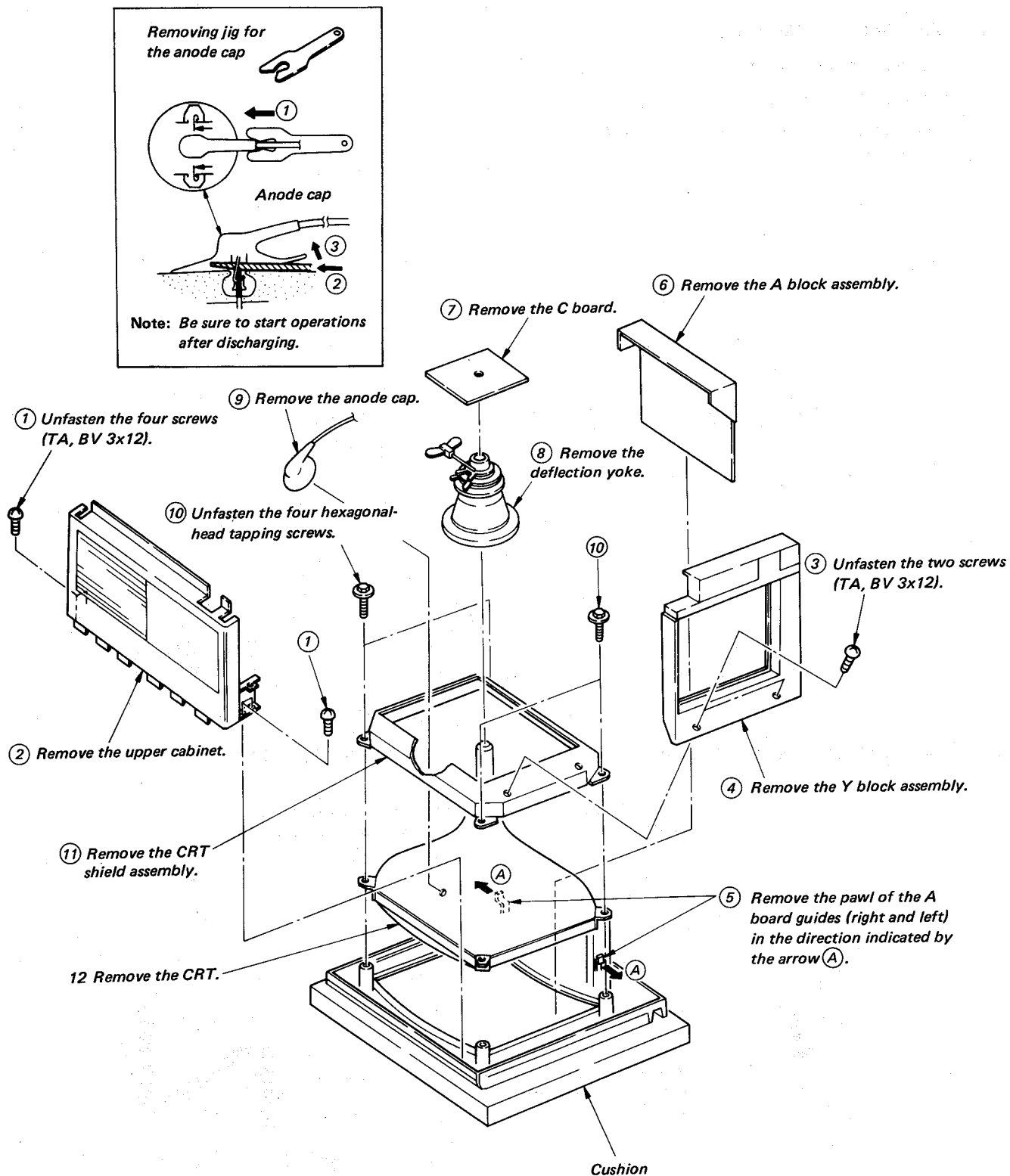
2-2. REMOVING THE UPPER CABINET



2-3. A BLOCK ASSEMBLY REMOVAL



2-4. REMOVING THE CRT

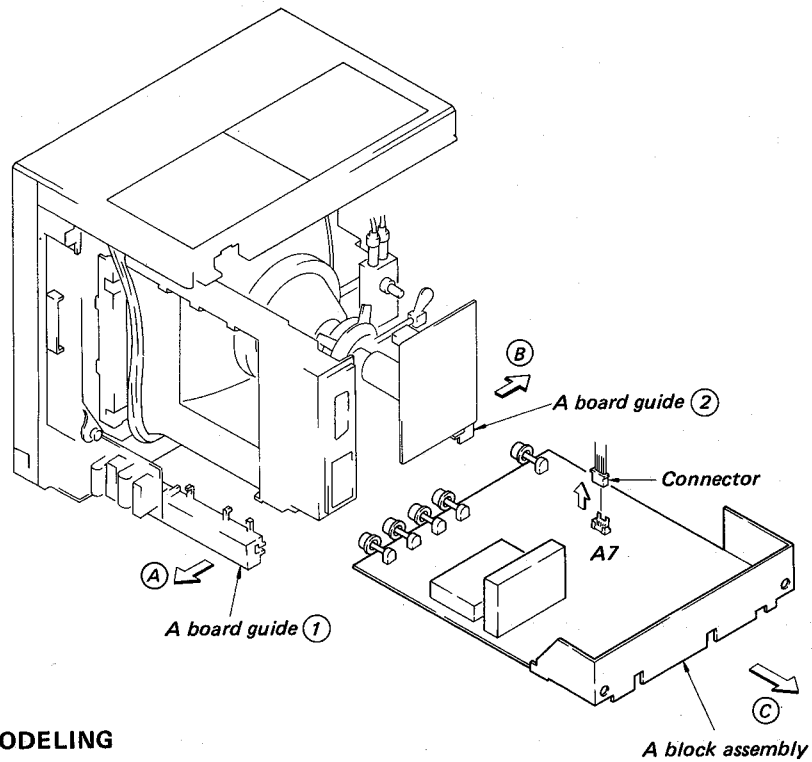


2-5. OPK-102 ATTACHING

1. REAR PANEL REMOVAL (See 2-1 on page 11.)

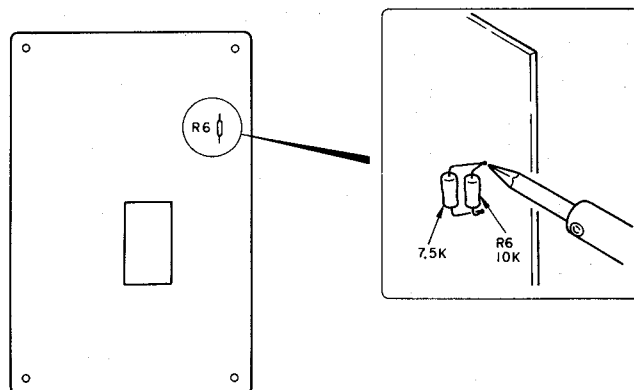
2. A BLOCK ASSEMBLY DISASSEMBLING

1. Remove the hooks of the A board guides (1) and (2) and pull the guides in the direction indicated by the arrows (A) and (B).
2. Pull out the A block assembly in the direction indicated by the arrow (C).
3. Pull up the A7-side connector on the A board in the direction indicated by the arrow.



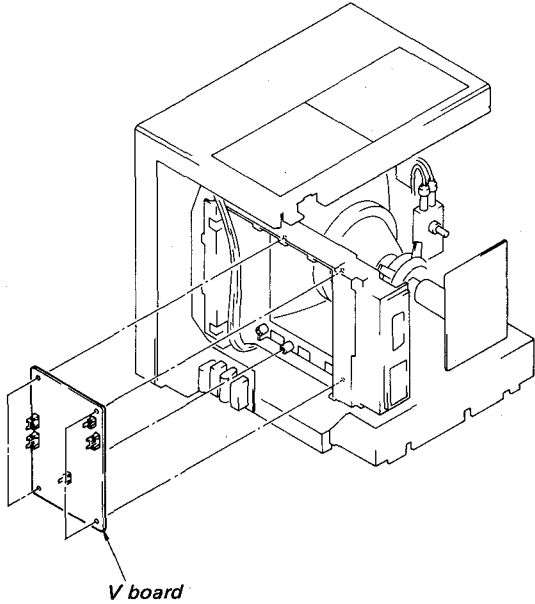
3. SCM BOARD REMODELING

- Connect 7.5 k Ω in parallel to the R6/10 k Ω as shown in the figure.



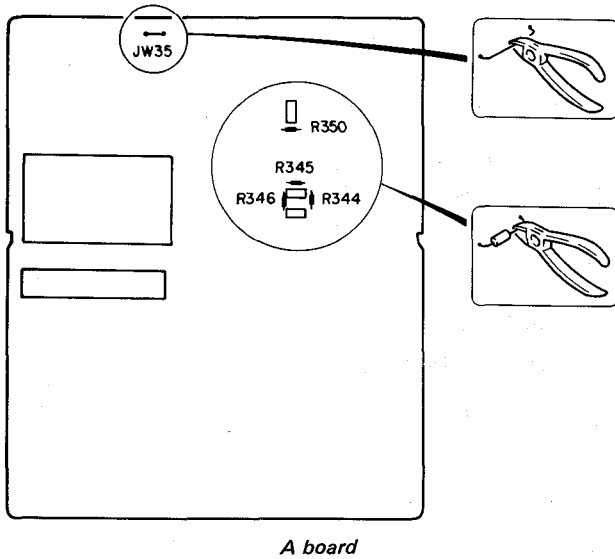
4. SCM BOARD (OPK-102) MOUNTING

1. Fix the remodeled SCM board as shown in the figure.



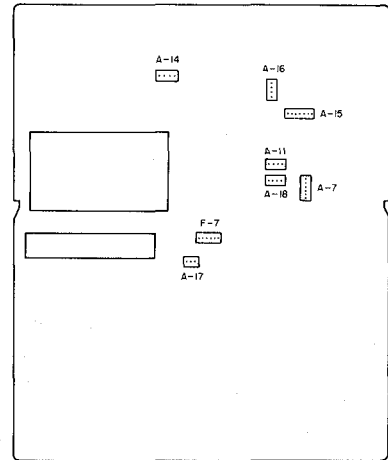
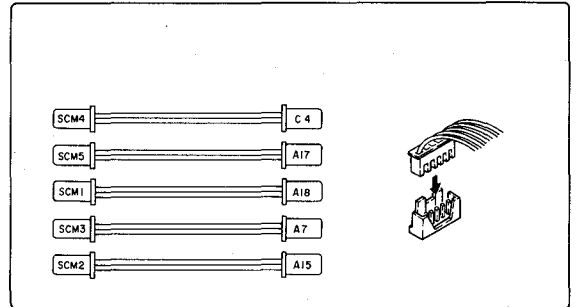
5. A BOARD REMODELING

1. Cut off R344, R345 and R346/3.3 kΩ using a nipper as shown in the figure.
2. Cut off R350/100 Ω using a nipper as shown in the figure.
3. Cut off the jumper wire (JW-35) using a nipper as shown in the figure.

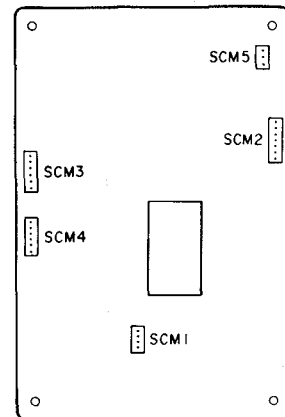


6. CONNECTOR CONNECTION

- Connect the other end of the harness connected to the SCM board to each connector on the A and C boards, respectively, as shown in the figure below. (Refer to the connector arrangement on the A and SCM boards.)



Connector arrangement on A board



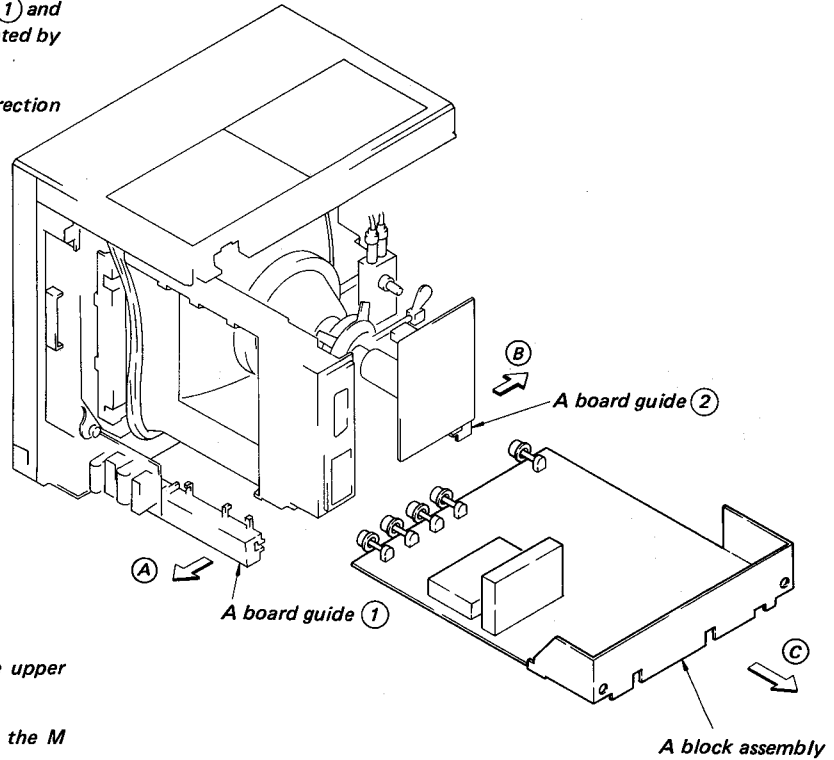
Connector arrangement on SCM board

2-6. OPK-103 ATTACHING

1. REAR PANEL REMOVING (See 2-1 on page 11.)

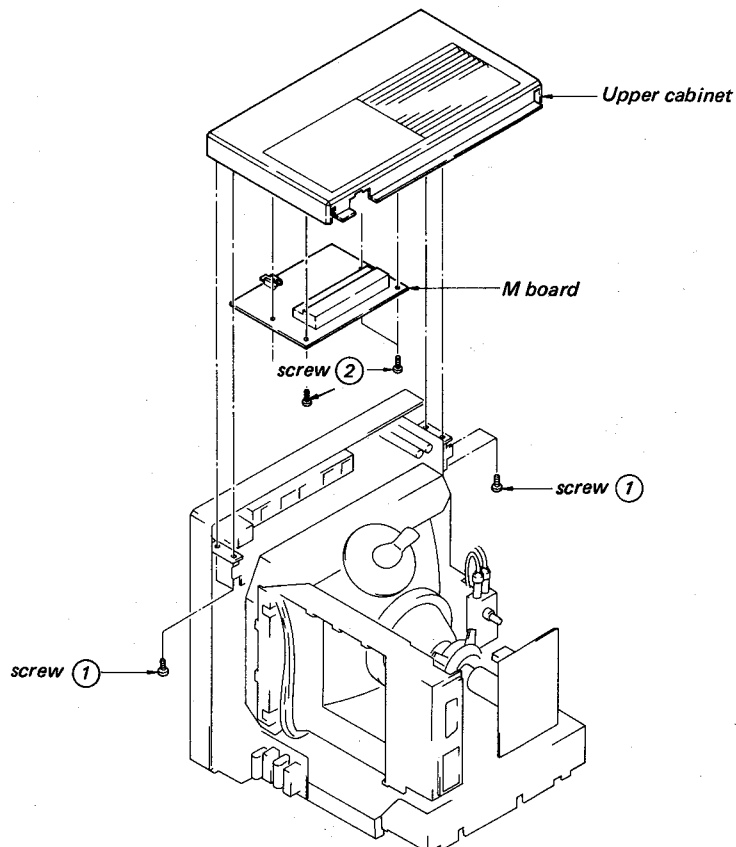
2. A BLOCK ASSEMBLY DISASSEMBLING

1. Remove the hooks of the A board guides ① and ② and pull the guides in the direction indicated by the arrows (A) and (B).
2. Pull out the A block assembly in the direction indicated by the arrow (C).



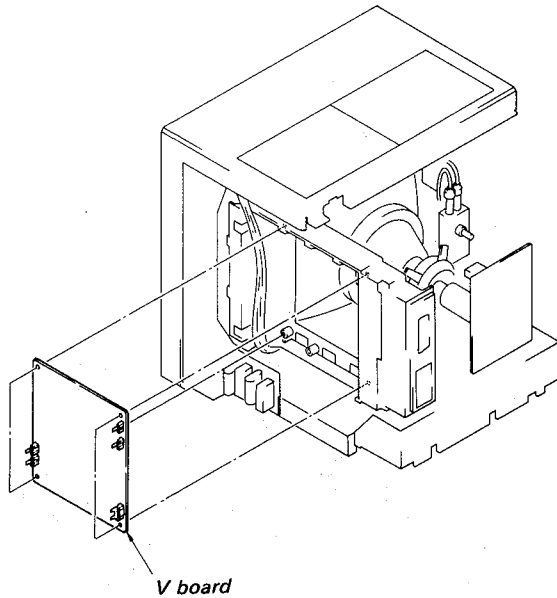
3. M BOARD DISMOUNTING

1. Remove the four screws ① to detach the upper cabinet.
2. Remove the four screws ② to dismount the M board from the upper cabinet.



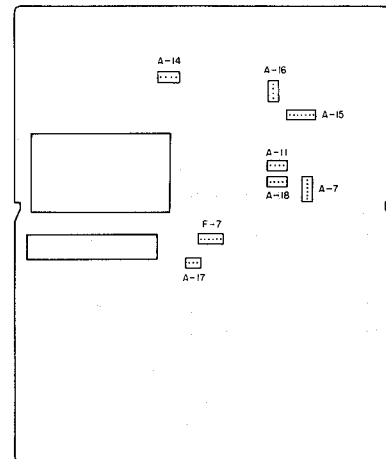
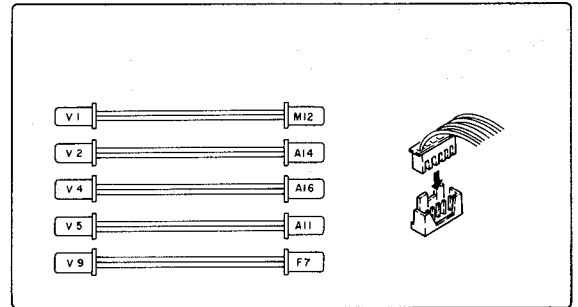
4. V BOARD (OPK-103) MOUNTING

1. Fix the V board as shown in the figure.



6. CONNECTOR CONNECTION

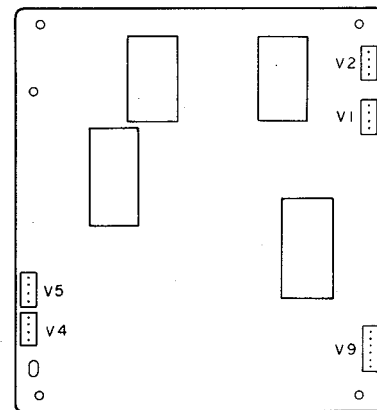
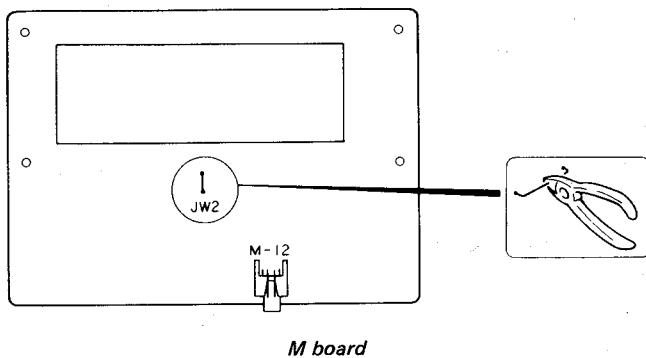
- Connect the other end of the harness connected to the V board to each connector on the A board as shown in the figure below. (Refer to the connector arrangement on the A and V boards.)



Connector arrangement on A board

5. M BOARD REMODELING

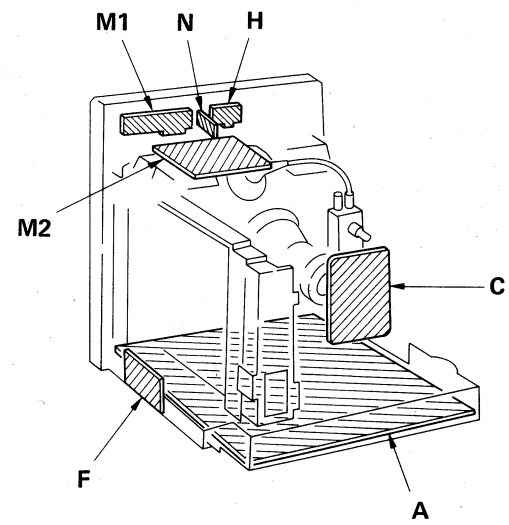
- Cut off the jumper wire (JW-2) using a nipper as shown in figure.



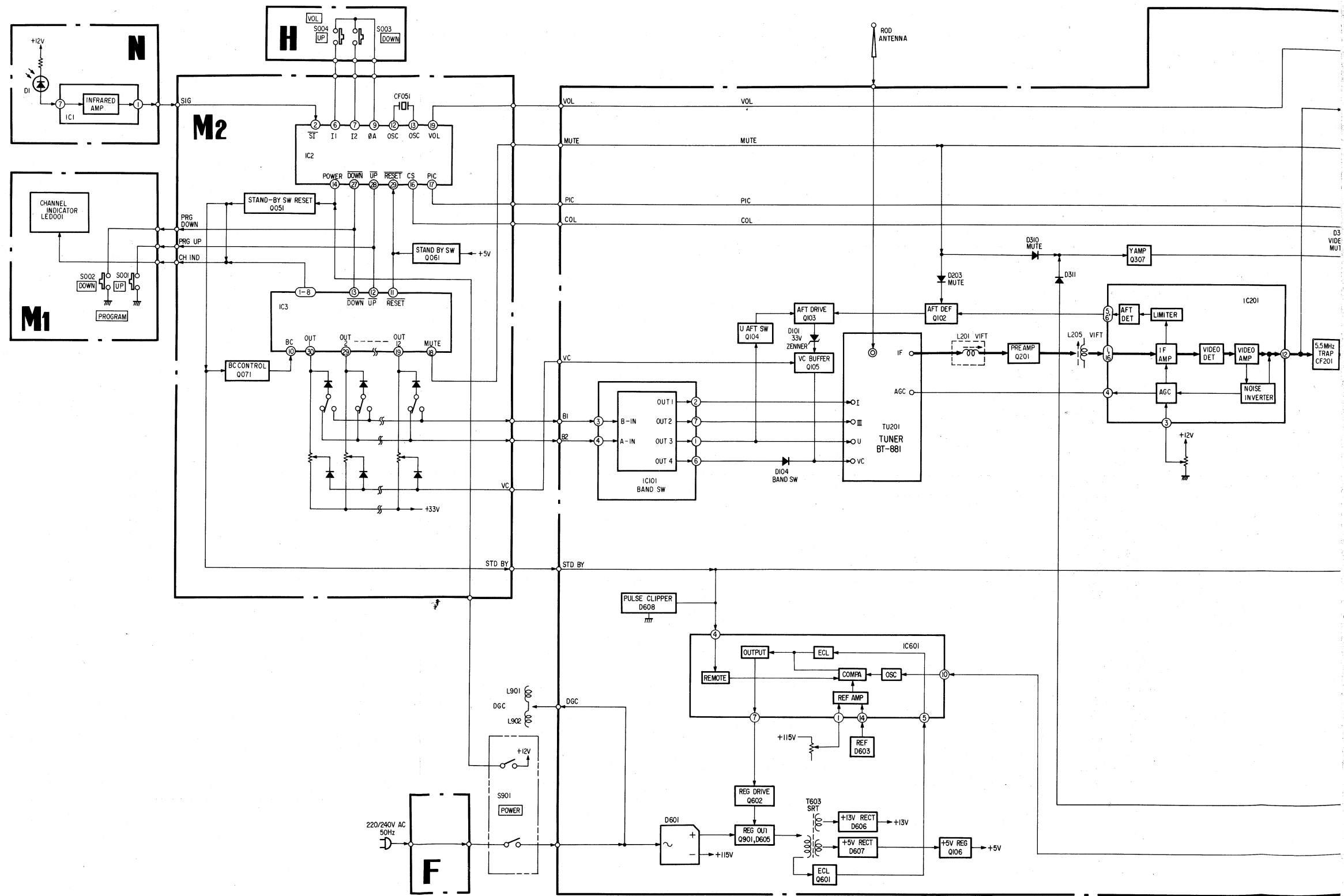
Connector arrangement on V board

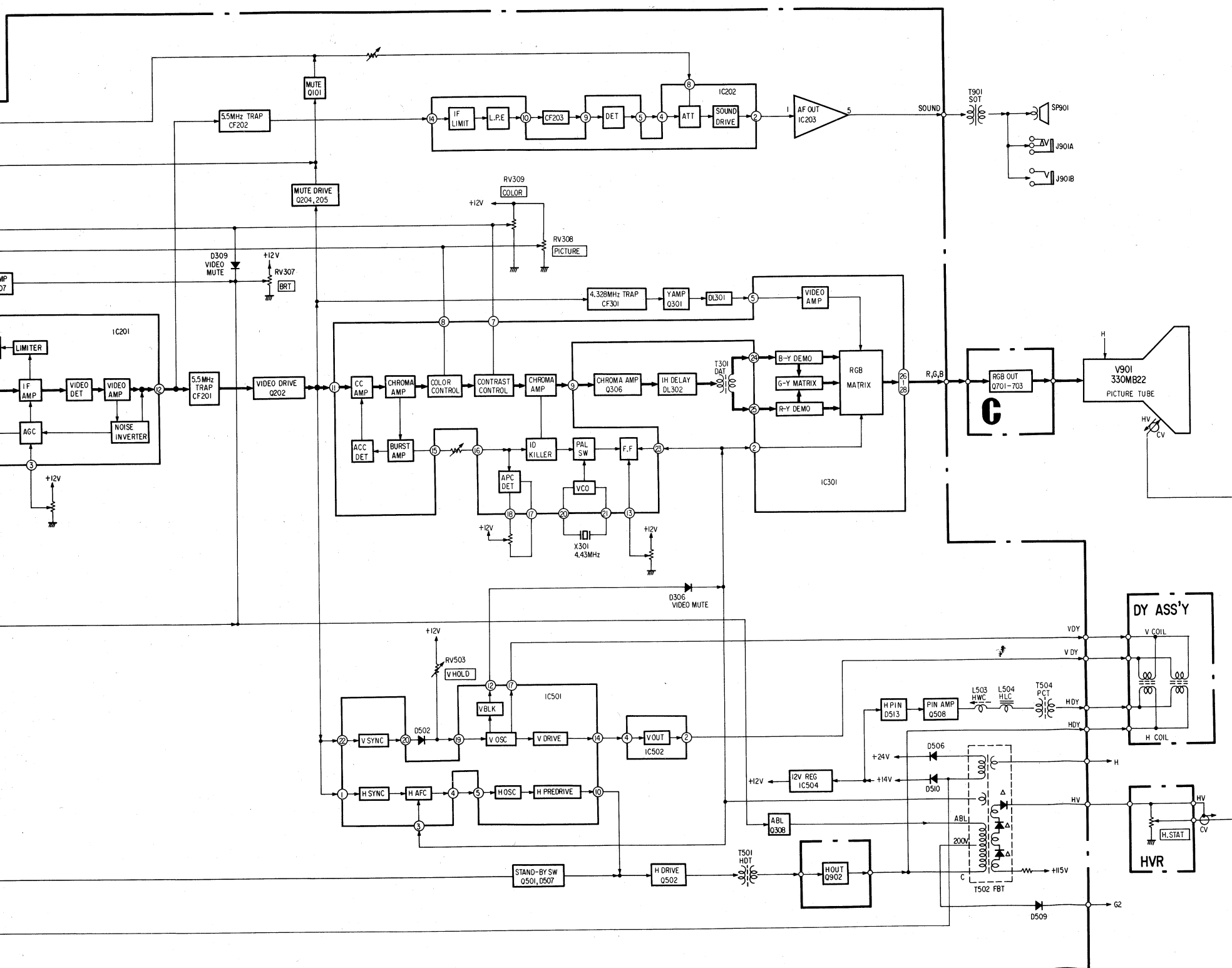
**SECTION 3
DIAGRAMS**

3-1. CIRCUIT BOARDS LOCATION



3-2. BLOCK DIAGRAM



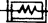
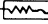
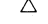
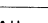


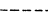



3-3. SEMICONDUCTORS

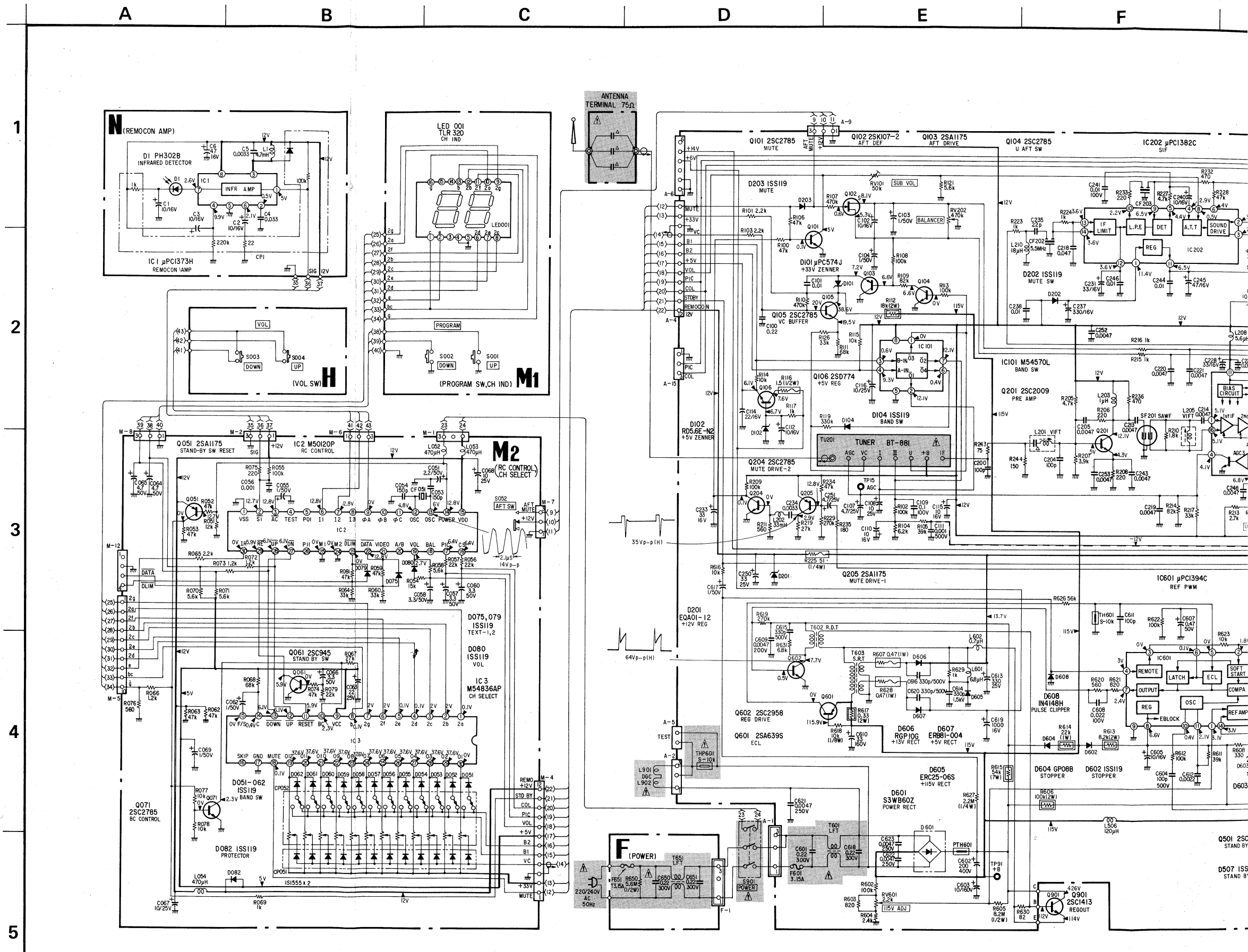
<p>M50120P M54836AP</p> <p>(Top view)</p>	<p>μPC575C</p> <p>(Top view)</p>	<p>2SC2458</p>	<p>EQB01-06 EQB01-12 ERC24-04S</p>
<p>M54570L</p>	<p>2SA1027R</p>	<p>2SC2688</p>	<p>ERB81-004 GP08B GP08D RGP10G RH1 RH1A</p>
<p>NJM7812B</p>	<p>2SA1175</p>	<p>2SC2785</p>	<p>ERC-25-06S</p>
<p>TA7607AP</p> <p>(Top view)</p>	<p>2SA639S 2SA733</p>	<p>2SC2958 2SD774</p>	<p>PH302B</p>
<p>μPC1365C</p> <p>(Top view)</p>	<p>2SC1364</p>	<p>2SD789</p>	<p>S3WB60Z</p>
<p>μPC1373H</p>	<p>2SC1413 2SC1413A 2SD898</p>	<p>2SK107</p>	<p>TLR320</p> <p>(Top view) (Bottom view)</p>
<p>μPC1377C</p> <p>(Top view)</p>	<p>2SC1815 2SC2603 2SC945 JC501</p>	<p>1N4148H 1S1555 1S2473 1S2076 1SS120 1SS133</p>	<p>1SS148 RD10E-N1 RD4.3E-B1 RD5.6E-N2 RD6.3E-N2 US1035</p>
<p>μPC1378H</p> <p>(Top view)</p>	<p>2SC2009</p>	<p>1SS119</p>	<p>V19C V30N V19E U05G</p>
<p>μPC1382C μPC1394C</p> <p>(Top view)</p>	<p>2SC2278</p>	<p>μPC574J</p>	

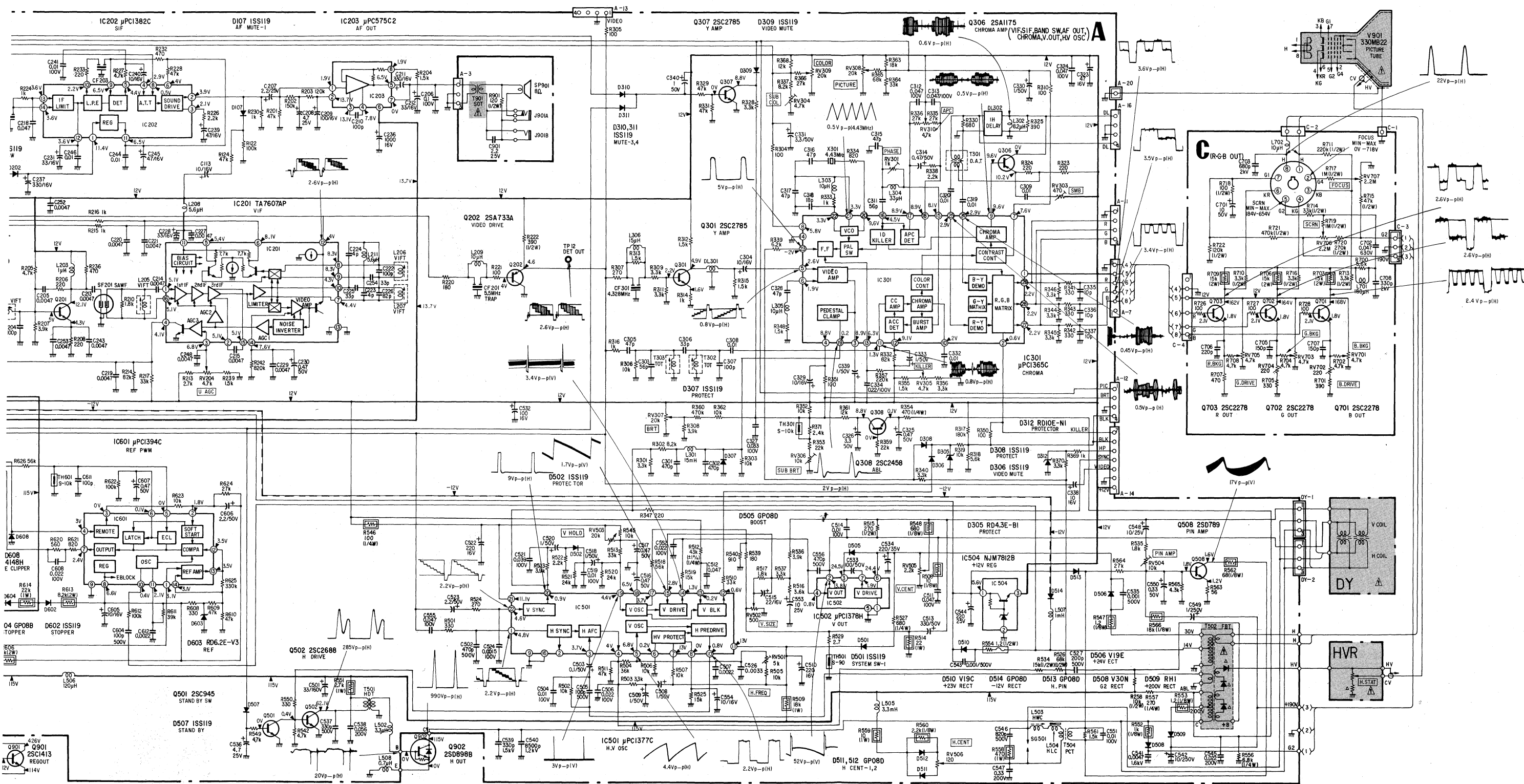
3-4. SCHEMATIC DIAGRAM

Note:

- All capacitors are in μF unless otherwise noted. pF: μF 50WV or less are not indicated except for electrolytics.
- All resistors are in ohms, 1/6W unless otherwise noted. k Ω = 1000 Ω , M Ω = 1000k Ω
- All variable and adjustable resistors have characteristic curve B, unless otherwise noted.
-  : nonflammable resistor.
-  : fusible resistor.
-  : internal component.
-  : panel designation.
- All voltages are in V.
- Voltages are dc with respect to ground unless otherwise noted.
- Readings are taken with a 10 M Ω digital multimeter.
- Voltage variations may be noted due to normal production tolerances.
- Readings are taken with a color-bar signal input.
-  : adjustment for repair.
- PAL color-bar signal received.
-  : B + bus
-  : B - bus

The components identified by shading and  mark are critical for safety. Replace only with part number specified.



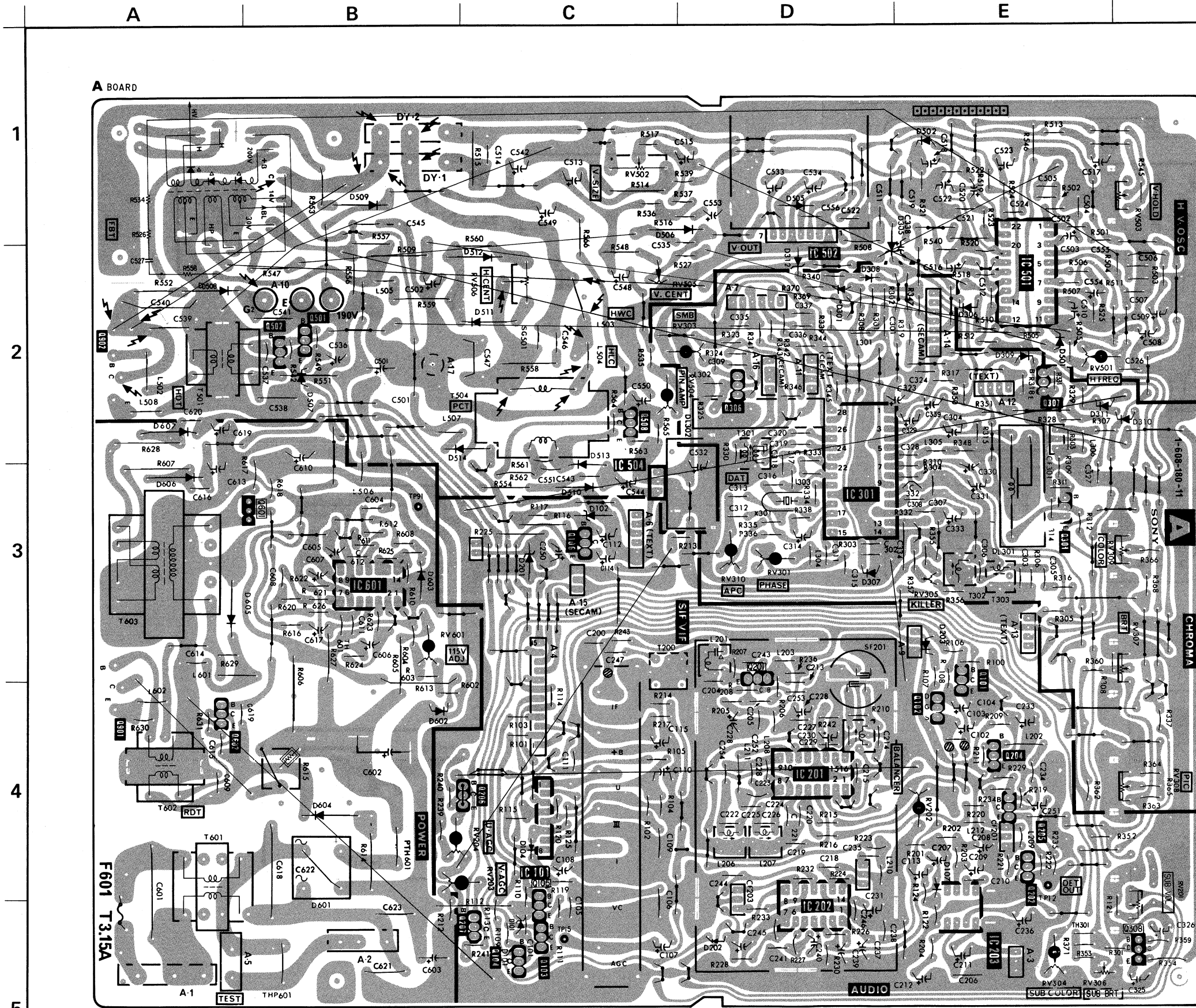


3-5. PRINTED WIRING BOARD
 - Conductor Side -

A

(VIF, SIF, BAND SW, AF OUT,
 CHROMA, V.OUT, H.V OSC)

A BOARD



Q, IC	D	ADJ, TP
	502	
	RV502	
	RV503	
	509	505
IC502	506	
	305	
	512	
IC501	312	RV505
	308	RV506
	306	
	511	
501	501	RV303
502	309	RV501
	507	
306	307	RV504
	311	
	310	
508	607	
	514	
IC301	513	
IC504	606	
	510	
	102	TP91
601	301	
106		RV309
	201	RV310
	307	RV301
IC601	603	RV305
	605	
	203	RV601
		RV307
201	101	
602	102	
	602	
	204	
IC201		RV308
	205	RV202
IC101	604	
	104	RV204
	202	
	601	
	107	
IC202		RV201
IC203	101	TP12
103	308	
104		RV304
		RV306
		TP15
Q, IC	D	ADJ, TP

M1

(PROGRAM SW, CH IND)

M2

(RC CONTROL, CH SELECT)

F

(POWER)

N

(REMOCON AMP)

H

(VOL SW)

A

B

C

D

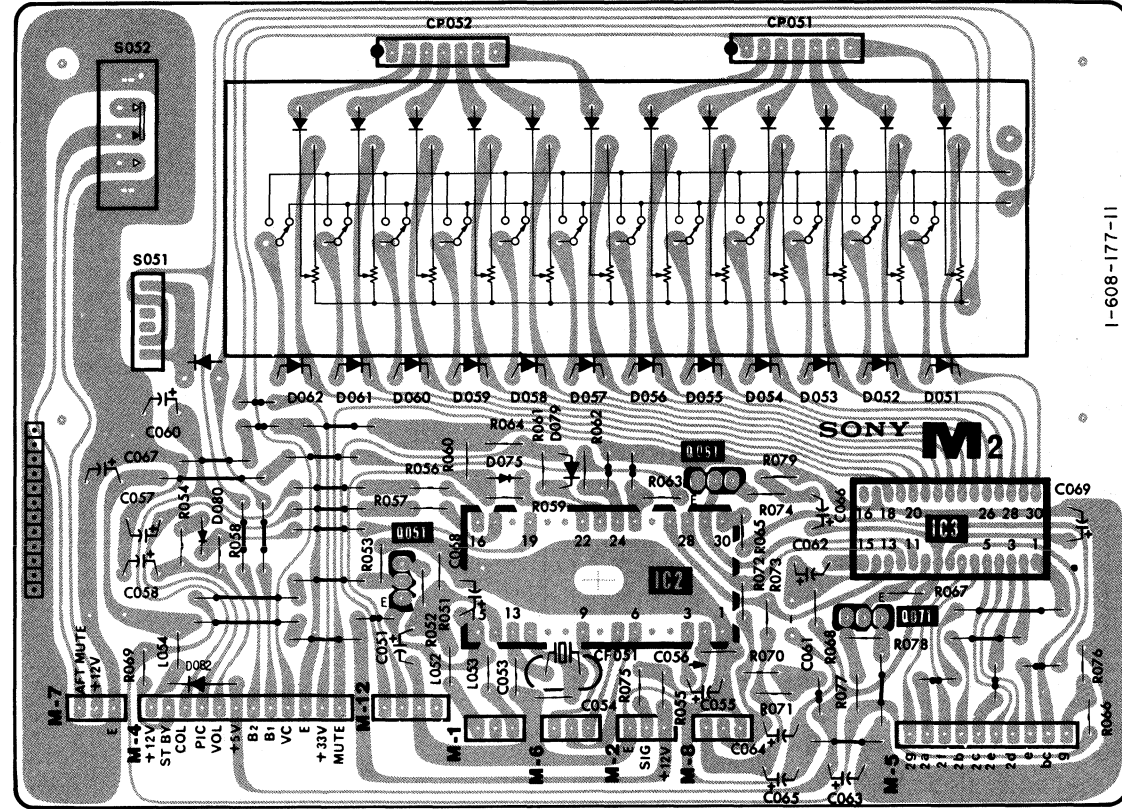
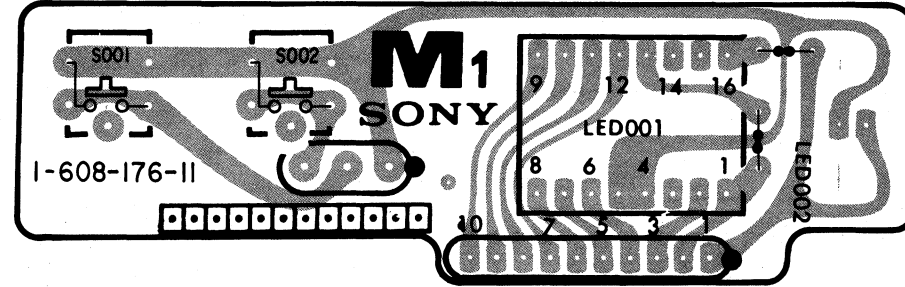
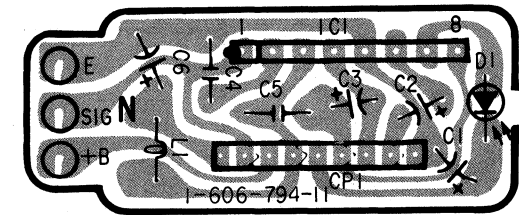
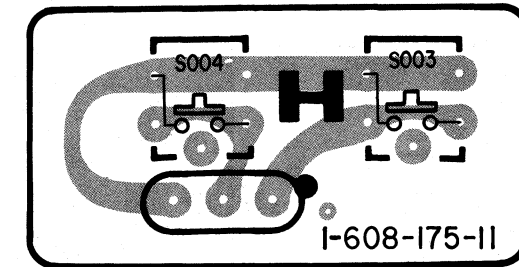
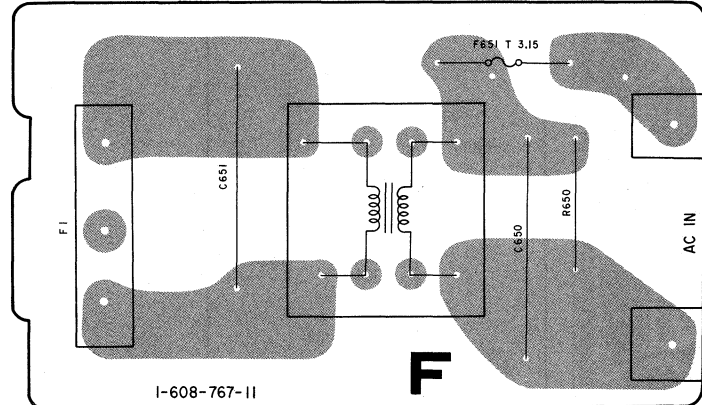
E

F

G

M2 BOARD

Q, IC					051		IC2		061		IC3		Q, IC			
D	082	080	062	061	060	059	075 058 079	057	056	055	054	053	071	052	051	D

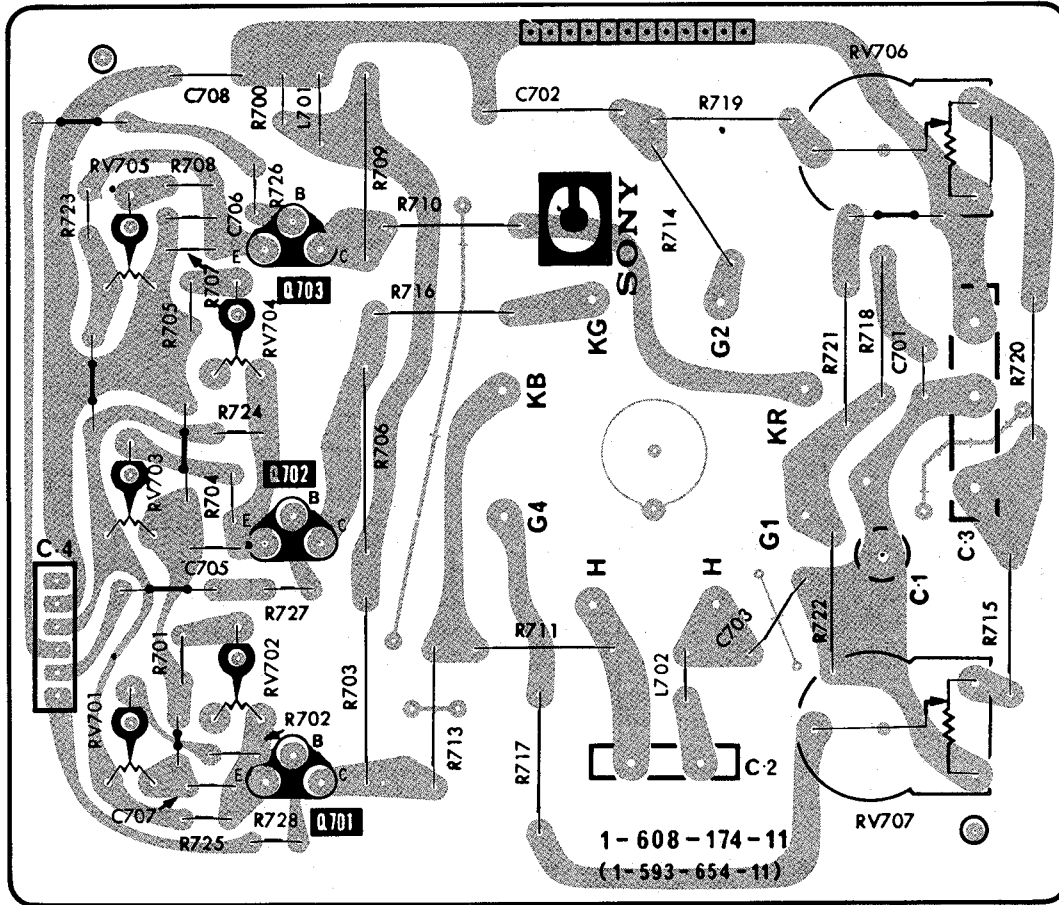
**M1 BOARD****N BOARD****H BOARD****F BOARD**

C (R·G·B OUT)

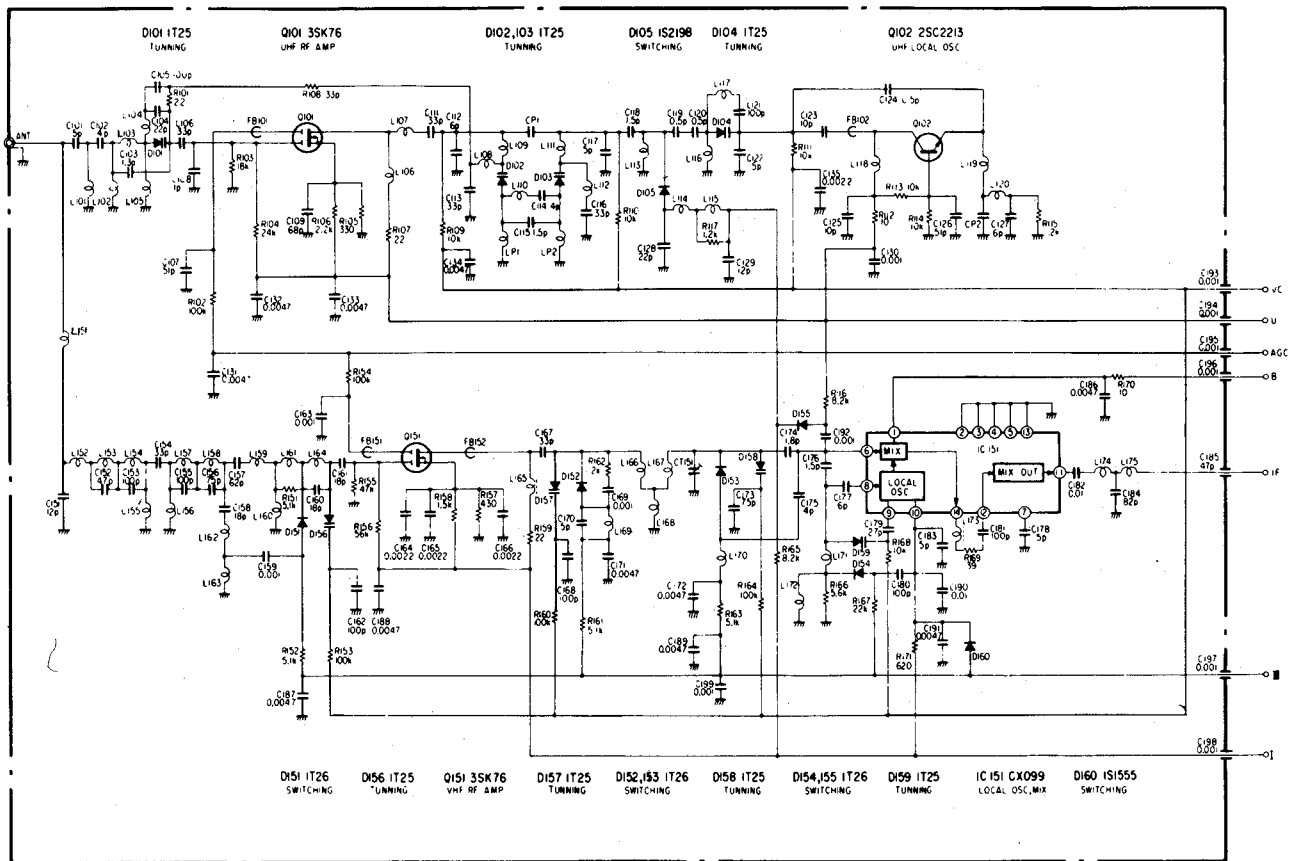
A B C D

1
2
3
4
5

C BOARD



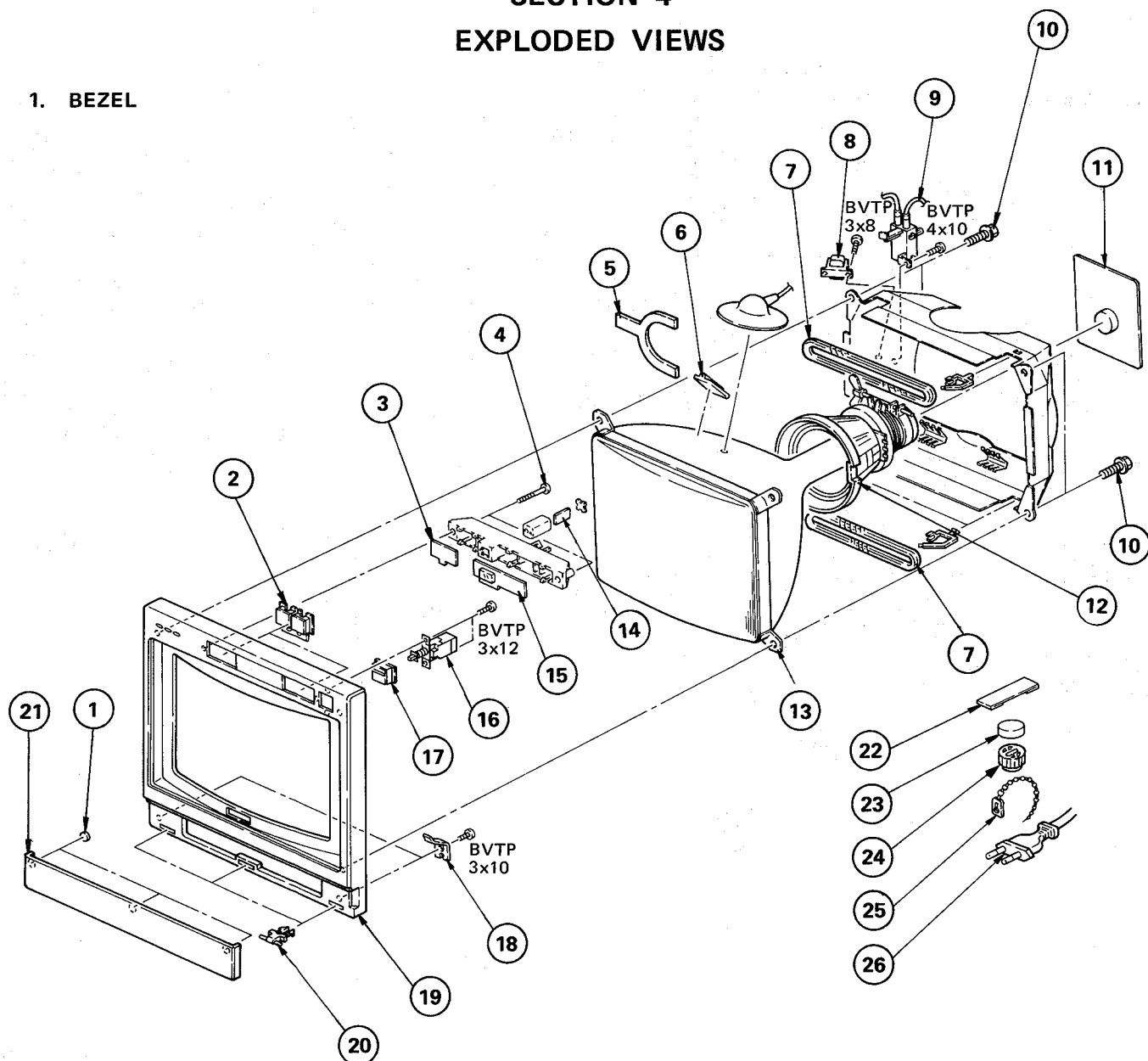
3-6. TUNER SCHEMATIC DIAGRAM BT-881



Note: Tuner reference numbers are not included in the Electrical Parts List.

SECTION 4 EXPLODED VIEWS

1. BEZEL



No.	Part No.	Description	Remark	No.	Part No.	Description	Remark
1	4-314-871-00	CUSHION		14	▲:1-606-794-00	N BOARD	
2	X-4362-001-0	BUTTON ASSY, CONTROL		15	▲:1-608-176-00	M1 BOARD	
3	▲:1-608-175-00	H BOARD		16	▲:1-553-225-00	SWITCH, PUSH	
4	3-703-083-00	+ BV 3X25		17	X-4362-002-0	BUTTON ASSY, POWER	
5	1-452-146-00	MAGNET, BMC		18	▲:4-352-804-00	RETAINER, DOOR	
6	3-703-003-00	SPACER, DY		19	X-4362-005-0	BEZEL ASSY	
7	▲:1-426-086-31	COIL, DE GAUSSING		20	3-703-035-11	SHAFT, LID	
8	▲:1-427-528-00	TRANSFORMER, OUTPUT: SOT		21	X-4362-003-0	DOOR ASSY	
9	▲:1-226-733-31	RES. ASSY, HIGH-VOLTAGE		22	X-4308-815-0	PERMALLOY ASSY, CONVERGENCE	
10	4-307-249-00	SCREW, TAPPING (5X20)		23	1-452-032-00	MAGNET, DISK; 10mm ϕ	
11	▲:A-1330-383-A	C BOARD, COMPLETE		24	1-452-094-00	MAGNET, ROTATABLE DISK; 15mm ϕ	
12	▲:1-451-185-00	DEFLECTION YOKE (SY-94C)		25	4-308-870-00	CLIP, LEADWIRE	
13	▲:8-738-902-05	CRT (330MB22)		26	▲:1-534-817-XX	CORD, POWER	

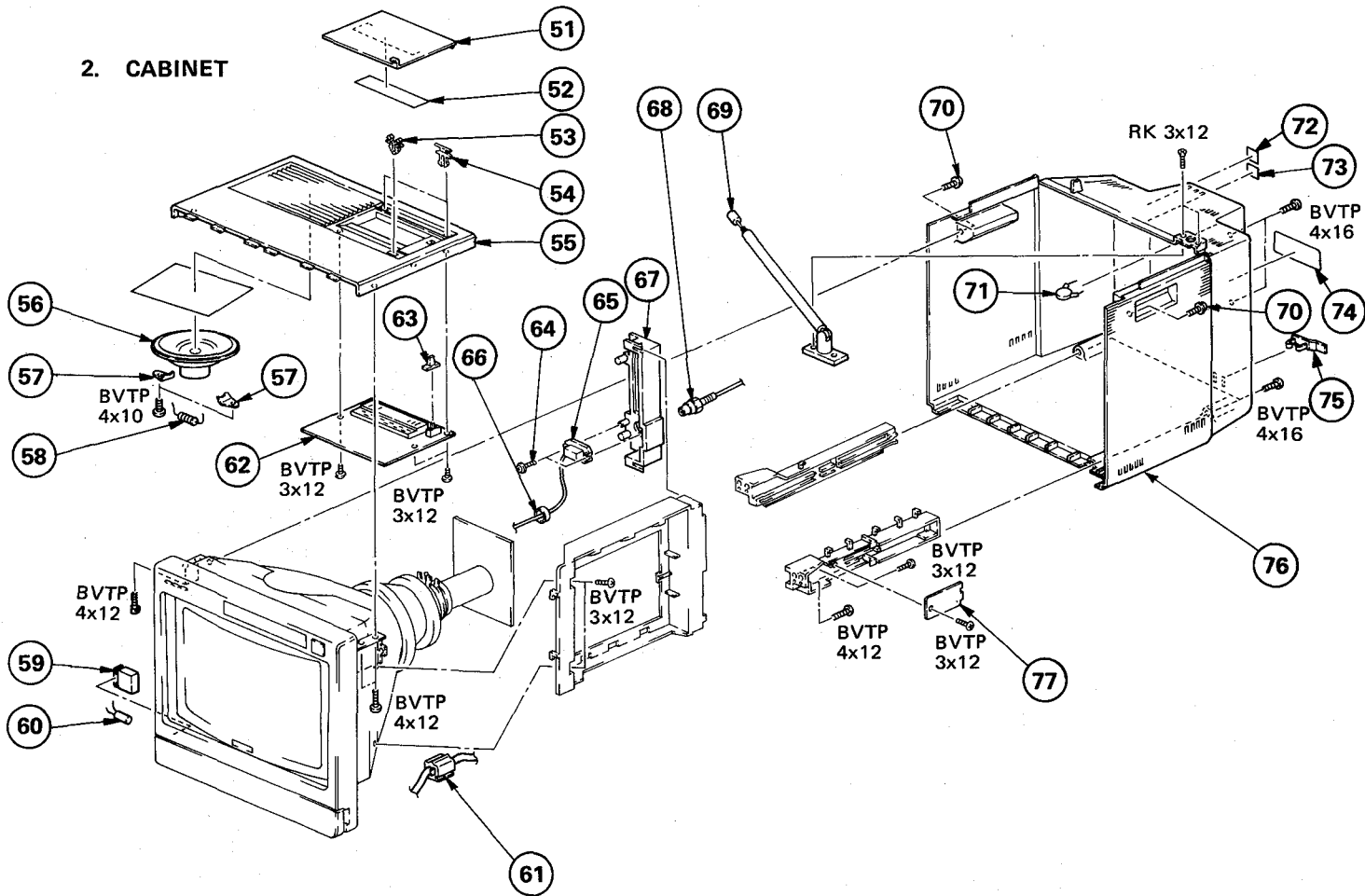
NOTE:

- Items with no part number and no description are not stocked because they are seldom required for routine service.
- The construction parts of an assembled part are indicated with a collation number in the remark column.

- Items marked "▲" are not stocked since they are seldom required for routine service. Some delay should be anticipated when ordering these items.

The components identified by shading and mark ▲ are critical for safety. Replace only with part number specified.

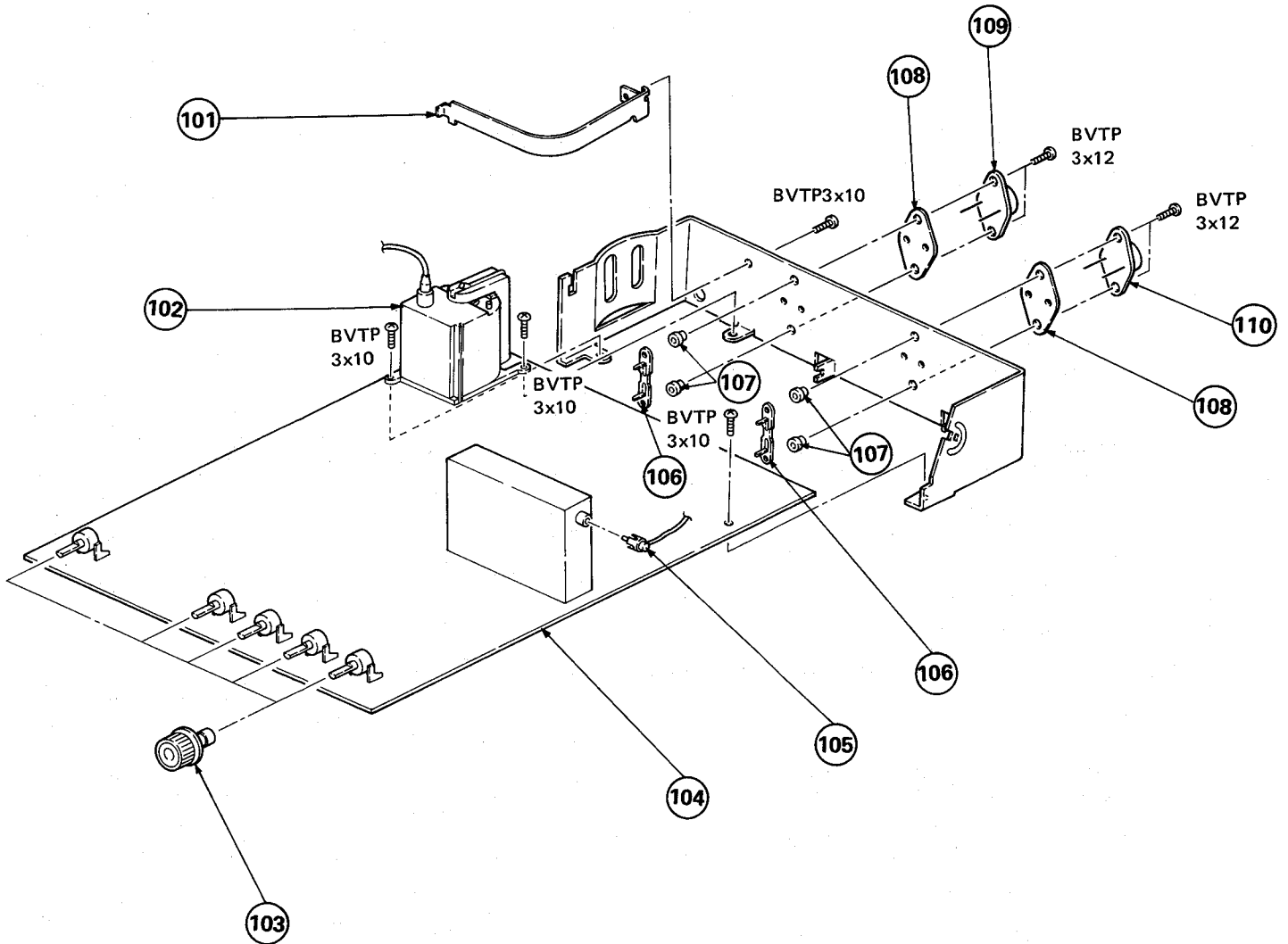
2. CABINET



No.	Part No.	Description	Remark	No.	Part No.	Description	Remark
51	X-4362-008-1	DOOR ASSY, PRESET		65	▲ 1-536-683-00	CONNECTOR, COAXIAL ANTENNA	
52	▲ 4-330-108-00	LABEL, INSTRUCTION, PRESET		66	1-543-171-00	CORE, RING	
53	3-703-574-00	RETAINER, DOOR		67	4-362-011-00	PANEL, CONNECTOR	
54	3-703-035-11	SHAFT, LID		68	1-556-054-00	ANT PLUG ASSY	
55	X-4362-004-0	PLATE ASSY, TOP		69	1-501-152-00	ROD ANTENNA, TYPE B	
56	1-502-893-00	SPEAKER		70	3-701-810-81	SCREW, TERMINAL	
57	▲ 4-338-106-00	HOLDER, SPEAKER		71	1-161-491-00	CAP, CERAMIC 470PF	
58	1-244-851-00	RES, CARBON 120.00 (1/2W)		72	4-310-380-00	LABEL, DEMKO	
59	1-507-539-11	JACK, JM35A		73	4-310-381-00	LABEL, SEMKO	
60	1-121-705-00	CAP, ELECT (NONPOLAR) 2.2MF		74	▲ 4-362-041-01	LABEL, MODEL NUMBER	
61	▲ 4-022-115-00	HOLDER, AC CORD		75	4-329-127-00	CLAMP, CORD	
62	▲ A-1301-413-A	M2 BOARD, COMPLETE		76	X-4362-006-0	CABINET ASSY	
63	4-362-005-00	KNOB, AFT		77	▲ 1-608-767-00	F BOARD	
64	4-304-496-00	HEAD, WASHER, TAPPING SCREW					

The components identified by shading and mark ▲ are critical for safety. Replace only with part number specified.

3. CHASSIS



No.	Part No.	Description	Remark	No.	Part No.	Description	Remark
101	▲:4-335-320-00	RING, SHORT, FBT		106	▲:4-350-806-00	BRACKET, TRANSISTOR	
102	▲:1-439-294-00	TRANSFORMER ASSY, FLYBACK : FBT		107	3-703-320-00	BUSHING (A), TRANSISTOR	
103	X-4329-105-0	KNOB CONTROL (B) ASSY		108	3-701-353-00	SPACER, MICA	
104	▲:A-1295-628-A	A BOARD, COMPLETE		109	8-729-398-09	TRANSISTOR 2SD898B	
105	▲:1-556-684-00	CABLE, PIN		110	8-729-341-34	TRANSISTOR 2SC1413A	

The components identified by shading and mark ▲ are critical for safety. Replace only with part number specified.



5 ELECTRICAL PARTS LIST

NOTE:

The components identified by shading and mark Δ are critical for safety. Replace only with part number specified.

• =>: Due to standardization, interchangeable replacements may be substituted for parts specified in the diagrams.

• Items marked "•" are not stocked since they are seldom required for routine service. Some delay should be anticipated when ordering these items.

• All variable and adjustable resistors have characteristic curve B, unless otherwise noted.

CAPACITORS
• MF : μ F, PF : μ μ F

RESISTORS
• All resistors are in ohms
• F : nonflammable

COILS
• MMH : mH, UH : μ H

When indicating parts by reference number, please include the board name.

Ref.No.	Part No.	Description	Remark	Ref.No.	Part No.	Description	Remark
	:1-608-767-00	F BOARD *****		C104	1-123-380-00	ELECT 1MF 20% 50V	
		<u>CAPACITOR</u>		C107	1-123-328-00	ELECT 4.7MF 20% 25V	
C650	Δ 1-108-745-00	MYLAR 0.22MF 20% 300V		C108	1-123-620-00	ELECT 10MF 20% 25V	
C651	Δ 1-108-745-00	MYLAR 0.22MF 20% 300V		C109	1-108-389-00	MYLAR 0.1MF 10% 100V	
		<u>CONNECTOR</u>		C110	1-123-356-00	ELECT 10MF 20% 16V	
F1	\bullet 1-506-348-XX	3P PLUG (L)		C111	1-102-038-00	CERAMIC 0.001MF 500V	
		<u>FUSE</u>		C112	1-123-356-00	ELECT 10MF 20% 16V	
F651	Δ 1-532-237-00	FUSE, TIME-LAG T3.15A		C113	1-123-356-00	ELECT 10MF 20% 16V	
	\bullet 1-533-087-00	HOLDER, FUSE, F651		C114	1-123-622-00	ELECT 22MF 20% 16V	
		<u>RESISTOR</u>		C115	1-123-356-00	ELECT 10MF 20% 16V	
R650	Δ 1-202-728-51	COMPOSITION 5.6M 10% 1/2W		C116	1-123-620-00	ELECT 10MF 20% 25V	
		<u>TRANSFORMER</u>		C200	1-102-529-00	CERAMIC 100PF 5% 50V	
T651	Δ 1-421-426-00	TRANSFORMER, FERRITE; LFT		C204	1-102-529-00	CERAMIC 100PF 5% 50V	
*****				C205	1-102-125-00	CERAMIC 0.0047MF 10% 50V	
	\bullet A-1295-628-A	A BOARD, COMPLETE *****		C206	1-108-389-00	MYLAR 0.1MF 10% 100V	
	\bullet 4-362-027-00	CASE (LOWER), SHIELD, VIF		C207	1-121-705-00	ELECT 2.2MF 30% 25V	
	\bullet 4-362-028-00	CASE (UPPER), SHIELD, VIF		C208	1-123-328-00	ELECT 4.7MF 20% 25V	
	\bullet 1-508-796-21	PIN, CONNECTOR 2P		C209	1-123-333-00	ELECT 100MF 20% 16V	
	\bullet 1-551-611-00	CONNECTOR ASSY, MINI (2P)		C210	1-102-973-00	CERAMIC 100PF 5% 50V	
	\bullet 1-556-408-41	CONNECTOR ASSY (LARGE) 3P		C211	1-123-322-00	ELECT 330MF 20% 16V	
	\bullet 4-336-030-00	CASE (MAIN), SHIELD, VIF		C212	1-123-820-00	ELECT 33MF 20% 16V	
		<u>CONNECTOR</u>		C213	1-102-125-00	CERAMIC 0.0047MF 10% 50V	
A1	\bullet 1-506-348-XX	3P PLUG (L)		C214	1-102-125-00	CERAMIC 0.0047MF 10% 50V	
A2	\bullet 1-508-765-00	3P PLUG (M)		C215	1-102-125-00	CERAMIC 0.0047MF 10% 50V	
A3	\bullet 1-508-742-00	PIN, CONNECTOR 3P		C218	1-101-006-00	CERAMIC 0.047MF 50V	
A4	\bullet 1-560-156-00	PLUG, CONNECTOR (2.5MM PITCH) 12P		C219	1-102-125-00	CERAMIC 0.0047MF 10% 50V	
A5	\bullet 1-508-786-00	2P PLUG (M)		C220	1-102-125-00	CERAMIC 0.0047MF 10% 50V	
A6	\bullet 1-560-126-00	PLUG, CONNECTOR (2.5MM PITCH) 6P		C221	1-102-125-00	CERAMIC 0.0047MF 10% 50V	
A7	\bullet 1-560-126-00	PLUG, CONNECTOR (2.5MM) 6P		C222	1-102-529-00	CERAMIC 100PF 5% 50V	
A9	\bullet 1-560-123-00	PLUG, CONNECTOR (2.5MM) 3P		C223	1-102-937-00	CERAMIC 4PF 0.25PF 50V	
A11	\bullet 1-560-124-00	PLUG, CONNECTOR (2.5MM PITCH) 4P		C224	1-102-937-00	CERAMIC 4PF 0.25PF 50V	
A12	\bullet 1-560-124-00	PLUG, CONNECTOR (2.5MM PITCH) 4P		C225	1-102-518-00	CERAMIC 33PF 5% 50V	
A13	\bullet 1-560-124-00	PLUG, CONNECTOR (2.5MM PITCH) 4P		C226	1-102-527-00	CERAMIC 82PF 5% 50V	
A14	\bullet 1-560-127-00	PLUG, CONNECTOR (2.5MM PITCH) 7P		C227	1-102-125-00	CERAMIC 0.0047MF 10% 50V	
A15	\bullet 1-560-123-00	PLUG, CONNECTOR (2.5MM PITCH) 3P		C228	1-123-820-00	ELECT 33MF 20% 16V	
A16	\bullet 1-560-124-00	PLUG, CONNECTOR (2.5MM PITCH) 4P		C229	1-102-125-00	CERAMIC 0.0047MF 10% 50V	
		<u>CAPACITOR</u>		C230	1-123-379-00	ELECT 0.47MF 20% 50V	
C100	1-108-853-71	MYLAR 0.22MF 10% 50V		C231	1-123-820-00	ELECT 33MF 20% 16V	
C101	1-102-129-00	CERAMIC 0.01MF 10% 50V		C233	1-123-820-00	ELECT 33MF 20% 16V	
C102	1-121-806-00	ELECT 10MF 16V		C234	1-102-123-00	CERAMIC 0.0033MF 10% 50V	
C103	1-123-380-00	ELECT 1MF 20% 50V		C235	1-102-959-00	CERAMIC 22PF 5% 50V	
				C236	1-123-324-00	ELECT 1000MF 20% 16V	
				C237	1-123-322-00	ELECT 330MF 20% 16V	
				C238	1-102-129-00	CERAMIC 0.01MF 10% 50V	
				C239	1-123-821-00	ELECT 47MF 20% 16V	
				C240	1-123-356-00	ELECT 10MF 20% 16V	
				C241	1-108-377-00	MYLAR 0.01MF 10% 100V	
				C243	1-102-125-00	CERAMIC 0.0047MF 10% 50V	
				C244	1-102-129-00	CERAMIC 0.01MF 10% 50V	
				C245	1-123-821-00	ELECT 47MF 20% 16V	
				C246	1-102-129-00	CERAMIC 0.01MF 10% 50V	
				C248	1-101-003-00	CERAMIC 0.0047MF 10% 50V	
				C250	1-123-819-00	ELECT 33MF 20% 25V	

Ref.No.	Part No.	Description	Remark	Ref.No.	Part No.	Description	Remark				
C251	1-123-328-00	ELECT	4.7MF	20%	25V	C512	1-108-595-00	MYLAR	0.047MF	5%	50V
C252	1-102-125-00	CERAMIC	0.0047MF	10%	50V	C513	1-123-362-00	ELECT	330MF	20%	50V
C253	1-102-125-00	CERAMIC	0.0047MF	10%	50V	C514	1-108-377-00	MYLAR	0.01MF	10%	100V
C254	1-102-518-00	CERAMIC	33PF	5%	50V	C515	1-123-622-00	ELECT	22MF	20%	16V
C257	1-102-125-00	CERAMIC	0.0047MF	10%	50V	C516	1-131-345-00	TANTALUM	0.47MF	10%	35V
C301	1-102-114-00	CERAMIC	470PF	10%	50V	C517	1-123-379-00	ELECT	0.47MF	20%	50V
C302	1-102-114-00	CERAMIC	470PF	10%	50V	C518	1-123-380-00	ELECT	1MF	20%	50V
C303	1-102-850-00	CERAMIC	56PF	5%	50V	C519	1-108-377-00	MYLAR	0.01MF	10%	100V
C304	1-123-356-00	ELECT	10MF	20%	16V	C520	1-123-380-00	ELECT	1MF	20%	50V
C305	1-102-887-00	CERAMIC	47PF	5%	50V	C521	1-108-384-00	MYLAR	0.039MF	10%	100V
C306	1-102-884-00	CERAMIC	33PF	5%	50V	C522	1-123-321-00	ELECT	220MF	20%	16V
C307	1-102-678-00	CERAMIC	100PF	5%	50V	C523	1-123-381-00	ELECT	2.2MF	20%	50V
C308	1-102-129-00	CERAMIC	0.01MF	10%	50V	C524	1-108-367-00	MYLAR	0.0015MF	10%	100V
C309	1-102-129-00	CERAMIC	0.01MF	10%	50V	C526	1-129-794-00	FILM	0.0033MF	2%	100V
C311	1-102-850-00	CERAMIC	56PF	5%	50V	C527	1-102-244-00	CERAMIC	220PF	10%	500V
C312	1-108-385-00	MYLAR	0.047MF	10%	100V	C532	1-123-333-00	ELECT	100MF	20%	16V
C313	1-108-385-00	MYLAR	0.047MF	10%	100V	C533	1-123-360-00	ELECT	100MF	20%	50V
C314	1-123-379-00	ELECT	0.47MF	20%	50V	C534	1-123-346-00	ELECT	220MF	20%	35V
C315	1-102-887-00	CERAMIC	47PF	5%	50V	C535	1-102-038-00	CERAMIC	0.001MF		500V
C316	1-102-852-00	CERAMIC	47PF	5%	50V	C536	1-123-328-00	ELECT	4.7MF	20%	25V
C317	1-102-852-00	CERAMIC	47PF	5%	50V	C537	1-102-030-00	CERAMIC	330PF	10%	500V
C318	1-102-513-00	CERAMIC	18PF	5%	50V	C538	1-108-430-00	MYLAR	0.056MF	10%	200V
C319	1-102-129-00	CERAMIC	0.01MF	10%	50V	C539	1-102-327-00	CERAMIC	330PF	15%	1.5KV
C320	1-102-129-00	CERAMIC	0.01MF	10%	50V	C540	1-130-671-00	FILM	0.0085MF	3%	1.2KV
C323	1-123-821-00	ELECT	47MF	20%	16V	C541	1-102-223-00	CERAMIC	0.0047MF	20%	1.6KV
C324	1-108-385-00	MYLAR	0.047MF	10%	100V	C542	1-123-005-00	ELECT	22MF		250V
C325	1-123-379-00	ELECT	0.47MF	20%	50V	C543	1-102-038-00	CERAMIC	0.001MF		500V
C326	1-123-382-00	ELECT	3.3MF	20%	50V	C544	1-123-334-00	ELECT	220MF	20%	25V
C327	1-108-383-00	MYLAR	0.033MF	10%	100V	C545	1-108-425-00	MYLAR	0.022MF	10%	200V
C328	1-101-880-00	CERAMIC	47PF	5%	50V	C546	1-102-212-00	CERAMIC	820PF	10%	500V
C329	1-131-371-00	TANTALUM	10MF	20%	16V	C547	1-130-684-00	FILM	0.33MF	5%	200V
C330	1-123-380-00	ELECT	1MF	20%	50V	C548	1-123-620-00	ELECT	10MF	20%	25V
C331	1-123-382-00	ELECT	3.3MF	20%	50V	C549	1-123-003-00	ELECT	1MF		250V
C332	1-102-129-00	CERAMIC	0.01MF	10%	50V	C550	1-123-286-00	ELECT	0.33MF	20%	50V
C333	1-123-380-00	ELECT	1MF	20%	50V	C551	1-108-377-00	MYLAR	0.01MF	10%	100V
C334	1-108-393-00	MYLAR	0.22MF	10%	100V	C552	1-108-381-00	MYLAR	0.022MF	10%	100V
C335	1-102-947-00	CERAMIC	10PF	5%	50V	C553	1-123-620-00	ELECT	10MF	20%	25V
C336	1-102-947-00	CERAMIC	10PF	5%	50V	C554	1-123-356-00	ELECT	10MF	20%	16V
C337	1-102-947-00	CERAMIC	10PF	5%	50V	C555	1-108-385-00	MYLAR	0.047MF	10%	100V
C338	1-123-356-00	ELECT	10MF	20%	16V	C556	1-102-228-00	CERAMIC	470PF	10%	500V
C339	1-123-380-00	ELECT	1MF	20%	50V	C601	1-108-745-00	MYLAR	0.22MF	20%	300V
C340	1-123-380-00	ELECT	1MF	20%	50V	C602	1-125-318-00	ELECT (BLOCK)	220MF	20%	400V
C501	1-123-024-00	ELECT	33MF		160V	C603	1-121-999-00	ELECT	10MF		160V
C502	1-102-228-00	CERAMIC	470PF	10%	500V	C604	1-101-810-00	CERAMIC	100PF	5%	500V
C503	1-123-607-00	ELECT	0.1MF	20%	50V	C605	1-123-356-00	ELECT	10MF	20%	16V
C504	1-108-377-00	MYLAR	0.01MF	10%	100V	C606	1-123-381-00	ELECT	2.2MF	20%	50V
C505	1-101-810-00	CERAMIC	100PF	5%	500V	C607	1-123-381-00	ELECT	2.2MF	20%	50V
C506	1-108-381-00	MYLAR	0.022MF	10%	100V	C608	1-108-381-00	MYLAR	0.022MF	10%	100V
C507	1-108-563-00	MYLAR	0.0022MF	5%	50V	C609	1-108-417-00	MYLAR	0.0047MF	10%	200V
C508	1-123-380-00	ELECT	1MF	20%	50V	C610	1-123-024-00	ELECT	33MF		160V
C509	1-123-380-00	ELECT	1MF	20%	50V	C611	1-102-973-00	CERAMIC	100PF	5%	50V
C510	1-123-321-00	ELECT	220MF	20%	16V	C612	1-108-563-00	MYLAR	0.0022MF	5%	50V
C511	1-108-385-00	MYLAR	0.047MF	10%	100V	C613	1-123-335-00	ELECT	330MF	20%	25V

The components identified by shading and mark Δ are critical for safety. Replace only with part number specified.

When indicating parts by reference number, please include the board name.

A

Ref.No.	Part No.	Description	Remark
C614	1-102-327-00	CERAMIC 330PF 15%	1.5KV
C615	1-102-030-00	CERAMIC 330PF 10%	500V
C616	1-102-030-00	CERAMIC 330PF 10%	500V
C617	1-123-021-00	ELECT 0.47MF 30%	50V
C618	△ 1-108-745-00	MYLAR 0.22MF 20%	300V
C619	1-123-324-00	ELECT 1000MF 20%	16V
C620	1-102-030-00	CERAMIC 330PF 10%	500V
C621	1-161-964-00	CERAMIC 0.0047MF	250V
C622	1-161-964-00	CERAMIC 0.0047MF	250V
C623	1-161-964-00	CERAMIC 0.0047MF	250V

FILTER

CF201	1-404-134-00	TRAP, CERAMIC (5.5MHZ)
CF202	1-527-263-00	CERAMIC FILTER (5.5MHZ)
CF203	1-404-320-00	DISCRIMINATOR, CERAMIC
CF301	1-409-338-00	TRAP, CERAMIC (4.328MHZ)

DIODE

D101	8-759-157-40	IC UPC574J
D102	8-719-102-71	DIODE RD5.6E-N2
D104	8-719-911-19	DIODE ISS119
D107	8-719-911-19	DIODE ISS119
D201	=>8-719-930-12	DIODE EQB01-12Z
D202	8-719-911-19	DIODE ISS119
D203	8-719-911-19	DIODE ISS119
D305	8-719-100-22	DIODE RD4.3E-B1
D306	8-719-911-19	DIODE ISS119
D307	8-719-911-19	DIODE ISS119
D308	8-719-911-19	DIODE ISS119
D309	8-719-911-19	DIODE ISS119
D310	8-719-911-19	DIODE ISS119
D311	8-719-911-19	DIODE ISS119
D312	8-719-102-89	DIODE RD10E-N1
D313	8-719-911-19	DIODE ISS119
D501	8-719-911-19	DIODE ISS119
D502	8-719-911-19	DIODE ISS119
D505	=>8-719-911-55	DIODE U05G
D506	8-719-901-93	DIODE V19E
D507	8-719-911-19	DIODE ISS119
D508	8-719-903-09	DIODE V30N
D509	=>8-719-300-76	DIODE RH1A
D510	=>8-719-901-93	DIODE V19E
D511	=>8-719-911-55	DIODE U05G
D512	=>8-719-911-55	DIODE U05G
D513	=>8-719-911-55	DIODE U05G
D514	=>8-719-911-55	DIODE U05G
D601	8-719-503-06	DIODE S3WB60Z
D602	8-719-911-19	DIODE ISS119
D603	8-719-102-74	DIODE RD6.2E-N2
D604	=>8-719-911-55	DIODE U05G
D605	8-719-925-06	DIODE ERC25-06S
D606	=>8-719-901-93	DIODE V19E
D607	8-719-982-04	DIODE ERB81-004
D608	=>8-719-911-19	DIODE ISS119

Ref.No.	Part No.	Description	Remark
<u>DELAY LINE</u>			
DL301	1-415-274-00	DELAY LINE, Y	
DL302	1-415-122-31	DELAY LINE	

CONNECTOR

DY1	▲ 1-506-348-XX	3P PLUG (L)
DY2	▲ 1-506-348-XX	3P PLUG (L)

FUSE

F601	△ 1-532-237-00	FUSE, TIME-LAG 3.15A
	▲ 1-533-087-00	HOLDER, FUSE, F601

IC

IC101	8-759-600-15	IC M54570L
IC201	8-759-276-07	IC TA7607AP
IC202	8-759-113-82	IC UPC1382C
IC203	=>8-759-157-52	IC UPC575C
IC301	8-759-113-65	IC UPC1365C
IC501	8-759-100-60	IC UPC1377C
IC502	=>8-759-113-78	UPC1378H-L
IC504	8-759-700-06	IC NJM7812B
	▲ 4-323-833-00	HEAT SINK, PIN OUT, IC504
IC601	8-759-100-75	IC UPC1394C

COIL

L201	1-404-431-00	VIFT
L202	1-408-247-00	MICRO INDUCTOR 33MMH
L203	1-408-397-00	MICRO INDUCTOR 10UH
L205	1-404-428-00	VIFT
L206	1-404-427-00	VIFT
L207	1-404-427-00	VIFT
L208	1-408-406-00	MICRO INDUCTOR 5.6UH
L209	1-408-409-00	MICRO INDUCTOR 10UH
L210	1-408-412-00	MICRO INDUCTOR 18UH
L211	1-408-406-00	MICRO INDUCTOR 5.6UH
L301	1-407-506-00	MICRO INDUCTOR 15MMH
L302	1-408-408-00	MICRO INDUCTOR 8.2UH
L303	1-408-409-00	MICRO INDUCTOR 10UH
L304	1-408-415-00	MICRO INDUCTOR 33UH
L305	1-408-409-00	MICRO INDUCTOR 10UH
L306	1-408-411-00	MICRO INDUCTOR 15UH
L502	1-408-225-00	MICRO INDUCTOR 3.3UH
L503	1-459-292-00	COIL, FERRITE (HWC)
L504	1-459-295-00	COIL, FERRITE (HLC)
L505	1-407-498-00	MICRO INDUCTOR 3.3MMH
L506	1-459-215-00	CORE COIL 120UH
L507	1-407-717-00	MICRO INDUCTOR 1MMH
L508	1-407-365-00	COIL, CHOKE (HIGH FREQUENCY) 0.7UH
L601	1-408-300-00	MICRO INDUCTOR 6.8UH
L602	1-407-365-00	COIL, CHOKE (HIGH FREQUENCY) 0.7UH

The components identified by shading and mark **△** are critical for safety. Replace only with part number specified.

When indicating parts by reference number, please include the board name.

Ref.No.	Part No.	Description	Remark	Ref.No.	Part No.	Description	Remark
<u>THERMISTOR</u>							
PTH601	1-800-820-00	THERMISTOR, POWER		R205	1-247-847-00	CARBON 4.7K 5%	1/6W
<u>TRANSISTOR</u>							
Q101	8-729-178-54	TRANSISTOR 2SC2785		R206	1-247-815-00	CARBON 220 5%	1/6W
Q102	8-769-200-20	TRANSISTOR 2SK107-2		R207	1-247-845-00	CARBON 3.9K 5%	1/6W
Q103	8-729-117-54	TRANSISTOR 2SA1175		R208	1-247-815-00	CARBON 220 5%	1/6W
Q104	8-729-178-54	TRANSISTOR 2SC2785		R209	1-247-879-00	CARBON 100K 5%	1/6W
Q105	8-729-178-54	TRANSISTOR 2SC2785		R210	1-247-837-00	CARBON 1.8K 5%	1/6W
Q106	8-729-177-43	TRANSISTOR 2SD774		R211	1-247-825-00	CARBON 560 5%	1/6W
Q201	8-765-300-00	TRANSISTOR 2SC2009		R213	1-247-841-00	CARBON 2.7K 5%	1/6W
Q202 =>	8-729-612-77	TRANSISTOR 2SA1027R		R214	1-247-877-00	CARBON 82K 5%	1/6W
Q204	8-729-178-54	TRANSISTOR 2SC2785		R215	1-247-831-00	CARBON 1K 5%	1/6W
Q205	8-729-117-54	TRANSISTOR 2SA1175		R216	1-247-831-00	CARBON 1K 5%	1/6W
Q301	8-729-178-54	TRANSISTOR 2SC2785		R217	1-247-867-00	CARBON 33K 5%	1/6W
Q306	8-729-117-54	TRANSISTOR 2SA1175		R219	1-247-865-00	CARBON 27K 5%	1/6W
Q307	8-729-178-54	TRANSISTOR 2SC2785		R220	1-247-813-00	CARBON 180 5%	1/6W
Q308	8-729-245-83	TRANSISTOR 2SC2458		R221	1-247-807-00	CARBON 100 5%	1/6W
Q501 =>	8-729-663-47	TRANSISTOR 2SC1364		R222	1-244-863-51	CARBON 390 5%	1/2W
Q502	8-729-168-82	TRANSISTOR 2SC2688		R223	1-247-831-00	CARBON 1K 5%	1/6W
Q508 =>	8-729-177-43	TRANSISTOR 2SD774		R224	1-247-831-00	CARBON 1K 5%	1/6W
Q601	8-729-163-93	TRANSISTOR 2SA639S		R225	1-212-874-00	FUSIBLE 51 5%	1/4W F
Q602	8-729-195-82	TRANSISTOR 2SC2958		R226	1-247-839-00	CARBON 2.2K 5%	1/6W
<u>RESISTOR</u>							
R100	1-247-871-00	CARBON 47K 5%	1/6W	R227	1-247-847-00	CARBON 4.7K 5%	1/6W
R101	1-247-839-00	CARBON 2.2K 5%	1/6W	R228	1-247-871-00	CARBON 47K 5%	1/6W
R102	1-247-879-00	CARBON 100K 5%	1/6W	R229	1-247-889-00	CARBON 270K 5%	1/6W
R103	1-247-839-00	CARBON 2.2K 5%	1/6W	R230	1-247-831-00	CARBON 1K 5%	1/6W
R104	1-247-850-00	CARBON 6.2K 5%	1/6W	R232	1-247-823-00	CARBON 470 5%	1/6W
R105	1-247-869-00	CARBON 39K 5%	1/6W	R233	1-247-815-00	CARBON 220 5%	1/6W
R106	1-247-871-00	CARBON 47K 5%	1/6W	R234	1-247-871-00	CARBON 47K 5%	1/6W
R107	1-247-895-00	CARBON 470K 5%	1/6W	R235	1-247-813-00	CARBON 180 5%	1/6W
R108	1-247-879-00	CARBON 100K 5%	1/6W	R236	1-247-823-00	CARBON 470 5%	1/6W
R109	1-247-877-00	CARBON 82K 5%	1/6W	R239	1-247-835-00	CARBON 1.5K 5%	1/6W
R110	1-247-895-00	CARBON 470K 5%	1/6W	R242	1-247-901-00	CARBON 820K 5%	1/6W
R111	1-247-875-00	CARBON 68K 5%	1/6W	R243	1-247-804-00	CARBON 75 5%	1/6W
R112	1-206-694-00	METAL 18K 5%	2W F	R244	1-247-811-00	CARBON 150 5%	1/6W
R113	1-247-879-00	CARBON 100K 5%	1/6W	R301	1-247-843-00	CARBON 3.3K 5%	1/6W
R114	1-247-855-00	CARBON 10K 5%	1/6W	R302	1-247-853-00	CARBON 8.2K 5%	1/6W
R115	1-247-855-00	CARBON 10K 5%	1/6W	R303	1-247-855-00	CARBON 10K 5%	1/6W
R116	1-212-938-00	FUSIBLE 1.5 5%	1/2W F	R304	1-247-807-00	CARBON 100 5%	1/6W
R117	1-247-831-00	CARBON 1K 5%	1/6W	R305	1-247-807-00	CARBON 100 5%	1/6W
R119	1-247-891-00	CARBON 330K 5%	1/6W	R306	1-247-855-00	CARBON 10K 5%	1/6W
R121	1-247-849-00	CARBON 5.6K 5%	1/6W	R307	1-247-817-00	CARBON 270 5%	1/6W
R122	1-247-879-00	CARBON 100K 5%	1/6W	R308	1-247-845-00	CARBON 3.9K 5%	1/6W
R124	1-247-871-00	CARBON 47K 5%	1/6W	R309	1-247-843-00	CARBON 3.3K 5%	1/6W
R126	1-247-867-00	CARBON 33K 5%	1/6W	R310	1-247-807-00	CARBON 100 5%	1/6W
R201	1-247-871-00	CARBON 47K 5%	1/6W	R311	1-247-843-00	CARBON 3.3K 5%	1/6W
R202	1-247-883-00	CARBON 150K 5%	1/6W	R312	1-247-835-00	CARBON 1.5K 5%	1/6W
R203	1-247-881-00	CARBON 120K 5%	1/6W	R313	1-247-835-00	CARBON 1.5K 5%	1/6W
R204	1-247-835-00	CARBON 1.5K 5%	1/6W	R314	1-247-831-00	CARBON 1K 5%	1/6W
				R315	1-247-835-00	CARBON 1.5K 5%	1/6W
				R316	1-247-831-00	CARBON 1K 5%	1/6W
				R317	1-247-885-00	CARBON 180K 5%	1/6W
				R318	1-247-849-00	CARBON 5.6K 5%	1/6W
				R319	1-247-855-00	CARBON 10K 5%	1/6W
				R323	1-247-815-00	CARBON 220 5%	1/6W

When indicating parts by reference number, please include the board name.

A

Ref.No.	Part No.	Description	Remark	Ref.No.	Part No.	Description	Remark
R324	1-247-815-00	CARBON	220 5% 1/6W	R511	1-247-871-00	CARBON	47K 5% 1/6W
R325	1-247-821-00	CARBON	390 5% 1/6W	R512	1-214-171-00	METAL	43K 1% 1/4W
R328	1-247-843-00	CARBON	3.3K 5% 1/6W	R513	1-247-867-00	CARBON	33K 5% 1/6W
R329	1-247-871-00	CARBON	47K 5% 1/6W	R514	1-212-364-00	METAL	2.2 5% 1W F
R330	1-247-827-00	CARBON	680 5% 1/6W	R515	1-244-859-51	CARBON	270 5% 1/2W
R331	1-247-871-00	CARBON	47K 5% 1/6W	R516	1-247-844-00	CARBON	3.6K 5% 1/6W
R332	1-247-877-00	CARBON	82K 5% 1/6W	R517	1-247-837-00	CARBON	1.8K 5% 1/6W
R333	1-247-831-00	CARBON	1K 5% 1/6W	R518	1-247-873-00	CARBON	56K 5% 1/6W
R334	1-247-829-00	CARBON	820 5% 1/6W	R519	1-247-859-00	CARBON	15K 5% 1/6W
R335	1-247-865-00	CARBON	27K 5% 1/6W	R520	1-247-864-00	CARBON	24K 5% 1/6W
R336	1-247-865-00	CARBON	27K 5% 1/6W	R521	1-247-864-00	CARBON	24K 5% 1/6W
R337	1-247-853-00	CARBON	8.2K 5% 1/6W	R522	1-247-839-00	CARBON	2.2K 5% 1/6W
R338	1-247-839-00	CARBON	2.2K 5% 1/6W	R523	1-247-845-00	CARBON	3.9K 5% 1/6W
R339	1-247-850-00	CARBON	6.2K 5% 1/6W	R524	1-247-817-00	CARBON	270 5% 1/6W
R340	1-247-843-00	CARBON	3.3K 5% 1/6W	R525	1-247-859-00	CARBON	15K 5% 1/6W
R341	1-247-819-00	CARBON	330 5% 1/6W	R526	1-202-816-00	COMPOSITION	68K 1/2W
R342	1-247-819-00	CARBON	330 5% 1/6W	R527	1-246-469-00	CARBON	680 5% 1/4W
R343	1-247-819-00	CARBON	330 5% 1/6W	R528	1-202-830-00	COMPOSITION	10K 1/2W
R344	1-247-843-00	CARBON	3.3K 5% 1/6W	R529	1-247-769-00	CARBON	2.7 5% 1/6W
R345	1-247-843-00	CARBON	3.3K 5% 1/6W	R534	1-202-832-51	COMPOSITION	15K 1/2W
R346	1-247-843-00	CARBON	3.3K 5% 1/6W	R535	1-247-837-00	CARBON	1.8K 5% 1/6W
R347	1-247-815-00	CARBON	220 5% 1/6W	R536	1-247-845-00	CARBON	3.9K 5% 1/6W
R348	1-247-835-00	CARBON	1.5K 5% 1/6W	R537	1-247-843-00	CARBON	3.3K 5% 1/6W
R350	1-247-807-00	CARBON	100 5% 1/6W	R539	1-247-813-00	CARBON	180 5% 1/6W
R351	1-247-807-00	CARBON	100 5% 1/6W	R540	1-247-830-00	CARBON	910 5% 1/6W
R352	1-247-855-00	CARBON	10K 5% 1/6W	R542	1-247-847-00	CARBON	4.7K 5% 1/6W
R353	1-247-863-00	CARBON	22K 5% 1/6W	R545	1-247-855-00	CARBON	10K 5% 1/6W
R354	1-246-465-00	CARBON	470 5% 1/4W	R546	1-247-005-00	CARBON	100 5% 1/4W F
R355	1-247-835-00	CARBON	1.5K 5% 1/6W	R547	1-246-979-00	CARBON	1.2 5% 1/8W F
R356	1-247-843-00	CARBON	3.3K 5% 1/6W	R548	1-246-994-00	CARBON	680 5% 1/8W F
R357	1-247-887-00	CARBON	220K 5% 1/6W	R549	1-247-847-00	CARBON	4.7K 5% 1/6W
R359	1-247-863-00	CARBON	22K 5% 1/6W	R550	1-247-819-00	CARBON	330 5% 1/6W
R360	1-247-895-00	CARBON	470K 5% 1/6W	R551	1-213-148-00	METAL	2.7K 5% 1W F
R361	1-247-857-00	CARBON	12K 5% 1/6W	R552	1-246-783-00	CARBON	1K 5% 1/8W F
R362	1-247-855-00	CARBON	10K 5% 1/6W	R553	1-246-979-00	CARBON	1.2 5% 1/8W F
R363	1-247-861-00	CARBON	18K 5% 1/6W	R554	1-212-936-51	FUSIBLE	1.2 5% 1/2W F
R364	1-247-867-00	CARBON	33K 5% 1/6W	R556	1-246-493-00	CARBON	6.8K 5% 1/4W
R365	1-247-875-00	CARBON	68K 5% 1/6W	R557	1-246-531-00	CARBON	270K 5% 1/4W
R366	1-247-865-00	CARBON	27K 5% 1/6W	R558	1-213-139-00	METAL	470 5% 1W F
R368	1-247-857-00	CARBON	12K 5% 1/6W	R559	1-212-372-00	METAL	10 5% 1W F
R369	1-247-831-00	CARBON	1K 5% 1/6W	R560	1-246-996-00	CARBON	2.2K 5% 1/8W F
R370	1-247-843-00	CARBON	3.3K 5% 1/6W	R561	1-247-835-00	CARBON	1.5K 5% 1/6W
R371	1-247-840-00	CARBON	2.4K 5% 1/6W	R562	1-247-032-00	CARBON	68 5% 1/8W F
R501	1-247-819-00	CARBON	330 5% 1/6W	R563	1-247-801-00	CARBON	56 5% 1/6W
R502	1-247-855-00	CARBON	10K 5% 1/6W	R564	1-247-865-00	CARBON	27K 5% 1/6W
R503	1-247-843-00	CARBON	3.3K 5% 1/6W	R565	1-247-846-00	CARBON	4.3K 5% 1/6W
R504	1-247-868-00	CARBON	36K 5% 1/6W	R566	1-211-481-11	CARBON	18K 5% 1/8W F
R505	1-247-855-00	CARBON	10K 5% 1/6W	R602	1-247-879-00	CARBON	100K 5% 1/6W
R506	1-247-855-00	CARBON	10K 5% 1/6W	R603	1-247-829-00	CARBON	820 5% 1/6W
R507	1-247-861-00	CARBON	18K 5% 1/6W	R604	1-247-840-00	CARBON	2.4K 5% 1/6W
R508	1-211-409-00	CARBON	10 5% 1/8W F	R605	1-202-730-51	COMPOSITION	8.2M 10% 1/2W
R509	1-213-158-00	METAL	18K 5% 1W F	R606	1-214-597-00	METAL	100K 5% 2W F
R510	1-247-867-00	CARBON	33K 5% 1/6W	R607	1-217-465-00	FUSIBLE	0.47 10% 1W F

When indicating parts by reference number, please include the board name.

Ref.No.	Part No.	Description	Remark
R608	1-247-819-00	CARBON 330 5% 1/6W	
R609	1-247-871-00	CARBON 47K 5% 1/6W	
R610	1-247-871-00	CARBON 47K 5% 1/6W	
R611	1-247-869-00	CARBON 39K 5% 1/6W	
R612	1-247-879-00	CARBON 100K 5% 1/6W	
R613	1-206-686-00	METAL 8.2K 5% 2W F	
R614	1-213-159-00	METAL 22K 5% 1W F	
R615	1-205-687-00	WIREWOUND 54K 10% 7W	
R616	1-247-855-00	CARBON 10K 5% 1/6W	
R617	1-217-194-00	WIREWOUND 0.33 10% 2W F	
R618	1-246-795-00	CARBON 10K 5% 1/8W	
R619	1-247-889-00	CARBON 270K 5% 1/6W	
R620	1-247-825-00	CARBON 560 5% 1/6W	
R621	1-247-829-00	CARBON 820 5% 1/6W	
R622	1-247-879-00	CARBON 100K 5% 1/6W	
R623	1-247-855-00	CARBON 10K 5% 1/6W	
R624	1-247-865-00	CARBON 27K 5% 1/6W	
R625	1-247-891-00	CARBON 330K 5% 1/6W	
R626	1-247-873-00	CARBON 56K 5% 1/6W	
R627	1-202-463-00	COMPOSITION 2.2M 5% 1/4W	
R628	1-217-465-00	FUSIBLE 0.47 10% 1W F	
R629	1-247-831-00	CARBON 1K 5% 1/6W	
R630	1-247-805-00	CARBON 82 5% 1/6W	
R631	1-247-851-00	CARBON 6.8K 5% 1/6W	

VARIABLE RESISTOR

RV201	1-228-817-00	RES, VAR, CARBON 50K	
RV202	1-228-731-00	RES, ADJ, CERAMIC CARBON 470K	
RV204	1-228-723-00	RES, ADJ, CERAMIC CARBON 4.7K	
RV301	1-228-720-00	RES, ADJ, CERAMIC CARBON 1K	
RV303	1-228-719-00	RES, ADJ, CERAMIC CARBON 470	
RV304	1-228-723-00	RES, ADJ, CERAMIC CARBON 4.7K	
RV305	1-226-709-00	RES, ADJ, SOLID 4.7K	
RV306	1-228-824-00	RES, ADJ, CERAMIC CARBON 10K	
RV307	1-228-815-00	RES, VAR, CARBON 20K	
RV308	1-228-816-00	RES, VAR, CARBON 20K	
RV309	1-228-816-00	RES, VAR, CARBON 20K	
RV310	1-228-723-00	RES, ADJ, CERAMIC CARBON 4.7K	
RV501	1-228-160-11	RES, ADJ, METAL GLAZE 5K	
RV502	1-221-970-XX	RES, ADJ, CARBON 500	
RV503	1-228-816-00	RES, VAR, CARBON 20K	
RV504	1-228-724-00	RES, ADJ, CERAMIC CARBON 10K	
RV505	1-224-250-XX	RES, ADJ, METAL GLAZE 2.2K	
RV506	1-223-067-00	RES, ADJ, WIREWOUND 120	
RV601	1-228-721-00	RES, ADJ, CERAMIC CARBON 2.2K	

FILTER

SF201	1-404-433-00	SAWF	
•:4-336-029-00	PLATE, SHIELD, SF201		

SPARK GAP

SG501	1-519-063-XX	DISCHARGING GAP	
-------	--------------	-----------------	--

Ref.No.	Part No.	Description	Remark
<u>TRANSFORMER</u>			
T301	1-426-121-00	DAT	
T302	1-408-520-00	COIL, VARIABLE TOT	
T303	1-408-520-00	COIL, VARIABLE TOT	
T501	1-437-090-00	HDT	
T504	1-421-351-00	H.PCT	

T601	1-421-426-00	TRANSFORMER, FERRITE; LFT	
T602	1-446-194-00	TRANSFORMER, CHOPPER DRIVE; CDT	
T603	1-421-559-00	TRANSFORMER, FERRITE (S.R.T)	

THERMISTOR

TH301	1-800-945-00	THERMISTOR S-10K	
TH501	1-806-213-00	THERMISTOR	
TH601	1-800-945-00	THERMISTOR S-10K	
THP601	1-806-165-00	THERMISTOR (POSITIVE)	

TUNER

TU201	1-463-350-31	TUNER, ET (BT-881)	
-------	--------------	--------------------	--

CRYSTAL

X301	1-527-345-00	CRYSTAL, OSC 4.43MHz	
------	--------------	----------------------	--

•:A-1301-413-A M2 BOARD, COMPLETE

1-228-818-00 VOLUME BLOCK, PRESET

CAPACITOR

C051	1-123-612-00	ELECT	2.2MF	20%	50V
C052	1-123-622-00	ELECT	22MF	20%	16V
C053	1-102-108-00	CERAMIC	150PF	10%	50V
C054	1-102-108-00	CERAMIC	150PF	10%	50V
C055	1-123-611-00	ELECT	1MF	20%	50V
C056	1-102-074-00	CERAMIC	0.001MF	10%	50V
C057	1-123-613-00	ELECT	3.3MF	20%	50V
C058	1-123-613-00	ELECT	3.3MF	20%	50V
C060	1-123-613-00	ELECT	3.3MF	20%	50V
C062	1-123-611-00	ELECT	1MF	20%	50V
C063	1-123-818-11	ELECT	22MF	20%	25V
C064	1-123-619-00	ELECT	4.7MF	20%	50V
C065	1-123-619-00	ELECT	4.7MF	20%	50V
C066	1-123-613-00	ELECT	3.3MF	20%	50V
C067	1-123-620-00	ELECT	10MF	20%	25V
C068	1-123-620-00	ELECT	10MF	20%	25V
C069	1-123-611-00	ELECT	1MF	20%	50V

FILTER

CF051	1-527-476-00	OSCILLATOR, CERAMIC	
-------	--------------	---------------------	--

The components identified by shading and mark **Δ** are critical for safety. Replace only with part number specified.

When indicating parts by reference number, please include the board name.

M2 M1 C

Ref.No.	Part No.	Description	Remark	Ref.No.	Part No.	Description	Remark
<u>DIODE</u>							
D051	8-719-911-19	DIODE 1SS119		R060	1-247-867-00	CARBON 33K 5% 1/6W	
D052	8-719-911-19	DIODE 1SS119		R061	1-247-871-00	CARBON 47K 5% 1/6W	
D053	8-719-911-19	DIODE 1SS119		R062	1-247-871-00	CARBON 47K 5% 1/6W	
D054	8-719-911-19	DIODE 1SS119		R063	1-247-871-00	CARBON 47K 5% 1/6W	
D055	8-719-911-19	DIODE 1SS119		R064	1-247-867-00	CARBON 33K 5% 1/6W	
D056	8-719-911-19	DIODE 1SS119		R065	1-247-839-00	CARBON 2.2K 5% 1/6W	
D057	8-719-911-19	DIODE 1SS119		R066	1-247-833-00	CARBON 1.2K 5% 1/6W	
D058	8-719-911-19	DIODE 1SS119		R067	1-247-865-00	CARBON 27K 5% 1/6W	
D059	8-719-911-19	DIODE 1SS119		R068	1-247-875-00	CARBON 68K 5% 1/6W	
D060	8-719-911-19	DIODE 1SS119		R069	1-247-831-00	CARBON 1K 5% 1/6W	
D061	8-719-911-19	DIODE 1SS119		R070	1-247-849-00	CARBON 5.6K 5% 1/6W	
D062	8-719-911-19	DIODE 1SS119		R071	1-247-849-00	CARBON 5.6K 5% 1/6W	
D075	8-719-911-19	DIODE 1SS119		R072	1-247-833-00	CARBON 1.2K 5% 1/6W	
D079	8-719-911-19	DIODE 1SS119		R073	1-247-833-00	CARBON 1.2K 5% 1/6W	
D080	8-719-911-19	DIODE 1SS119		R074	1-247-871-00	CARBON 47K 5% 1/6W	
D082	8-719-911-19	DIODE 1SS119		R075	1-247-815-00	CARBON 220 5% 1/6W	
<u>IC</u>							
IC2	8-759-600-03	IC M50120P		R076	1-247-825-00	CARBON 560 5% 1/6W	
IC3	8-759-600-44	IC M54836AP		R077	1-247-855-00	CARBON 10K 5% 1/6W	
<u>COIL</u>							
L052	1-408-462-11	MICRO INDUCTOR 470UH		R078	1-247-855-00	CARBON 10K 5% 1/6W	
L053	1-408-462-11	MICRO INDUCTOR 470UH		R079	1-247-863-00	CARBON 22K 5% 1/6W	
L054	1-408-462-11	MICRO INDUCTOR 470UH		<u>SWITCH</u>			
<u>CONNECTOR</u>				S052 1-553-651-00 SWITCH, SLIDE			
M1	♣:1-560-278-00	PLUG, CONNECTOR 3P		*****			
M2	♣:1-560-278-00	PLUG, CONNECTOR 3P		♣:1-608-176-00 M1 BOARD			
M4	♣:1-560-278-00	PLUG, CONNECTOR 12P		*****			
M5	♣:1-560-278-00	PLUG, CONNECTOR 10P		♣:1-556-332-00 CONNECTOR (2.5MM) 3P			
M6	♣:1-560-278-00	PLUG, CONNECTOR 3P		♣:1-555-706-00 CONNECTOR ASSY (2.5MM) 10P			
M7	♣:1-560-278-00	PLUG, CONNECTOR 3P		<u>DIODE</u>			
M8	♣:1-560-278-00	PLUG, CONNECTOR 3P		LED001 8-719-803-20 DIODE TLR320			
M12	♣:1-560-278-00	PLUG, CONNECTOR 4P		<u>SWITCH</u>			
<u>TRANSISTOR</u>				S001 1-553-766-00 SWITCH, KEY BOARD			
Q051	8-729-117-54	TRANSISTOR 2SA1175		S002 1-553-766-00 SWITCH, KEY BOARD			
Q061	=>8-729-245-83	TRANSISTOR 2SC2458		*****			
Q071	8-729-178-54	TRANSISTOR 2SC2785		♣:A-1330-383-A C BOARD, COMPLETE			
<u>RESISTOR</u>				*****			
R051	1-247-857-00	CARBON 12K 5% 1/6W		♣:1-608-174-00 C BOARD			
R052	1-247-871-00	CARBON 47K 5% 1/6W		1-526-645-00 SOCKET, CRT			
R053	1-247-871-00	CARBON 47K 5% 1/6W		<u>CONNECTOR</u>			
R054	1-247-859-00	CARBON 15K 5% 1/6W		C2 ♣:1-508-786-00 2P PLUG (M)			
R055	1-247-879-00	CARBON 100K 5% 1/6W		C3 ♣:1-506-348-XX 3P PLUG (L)			
R056	1-247-863-00	CARBON 22K 5% 1/6W		C4 ♣:1-560-126-00 PLUG, CONNECTOR (2.5MM) 6P			
R057	1-247-863-00	CARBON 22K 5% 1/6W		<u>CAPACITOR</u>			
R058	1-247-849-00	CARBON 5.6K 5% 1/6W		C701 1-123-816-00 ELECT 47MF 20% 50V			
R059	1-247-871-00	CARBON 47K 5% 1/6W		C702 1-129-737-00 FILM 0.047MF 20% 630V			

When indicating parts by reference number, please include the board name.

Ref.No.	Part No.	Description	Remark
C703	1-102-249-00	CERAMIC 680PF	20% 2KV
C705	1-101-361-00	CERAMIC 150PF	5% 50V
C706	1-102-978-00	CERAMIC 220PF	5% 50V
C707	1-101-361-00	CERAMIC 150PF	5% 50V
C708	1-102-155-00	CERAMIC 330PF	20% 2KV

COIL

L701	1-407-708-00	MICRO INDUCTOR 180UH	
L702	1-421-329-00	COIL, CHOKE 10UH	

TRANSISTOR

Q701	8-729-322-78	TRANSISTOR 2SC2278	
Q702	8-729-322-78	TRANSISTOR 2SC2278	
Q703	8-729-322-78	TRANSISTOR 2SC2278	

RESISTOR

R077	1-247-767-00	CARBON 5.6K	1/6W
R701	1-247-821-00	CARBON 390	5% 1/6W
R702	1-247-847-00	CARBON 4.7K	5% 1/6W
R703	1-206-692-00	METAL 15K	5% 2W F
R704	1-247-847-00	CARBON 4.7K	5% 1/6W
R705	1-247-819-00	CARBON 330	5% 1/6W
R706	1-206-692-00	METAL 15K	5% 2W F
R707	1-247-823-00	CARBON 470	5% 1/6W
R708	1-247-847-00	CARBON 4.7K	5% 1/6W
R709	1-206-692-00	METAL 15K	5% 2W F
R710	1-202-824-00	COMPOSITION 3.3K	1/2W
R711	1-202-842-51	COMPOSITION 220K	1/2W
R713	1-202-824-00	COMPOSITION 3.3K	1/2W
R714	1-202-814-51	COMPOSITION 33K	1/2W
R715	1-202-815-51	COMPOSITION 47K	1/2W
R716	1-202-824-00	COMPOSITION 3.3K	1/2W
R717	1-202-719-00	COMPOSITION 1M	10% 1/2W
R718	1-202-549-00	COMPOSITION 100	10% 1/2W
R719	1-202-719-00	COMPOSITION 1M	10% 1/2W
R720	1-202-843-51	COMPOSITION 270K	1/2W
R721	1-202-846-00	COMPOSITION 470K	1/2W
R722	1-202-839-51	COMPOSITION 120K	1/2W
R726	1-247-807-00	CARBON 100	5% 1/6W
R727	1-247-807-00	CARBON 100	5% 1/6W
R728	1-247-807-00	CARBON 100	5% 1/6W

VARIABLE RESISTOR

RV701	1-226-850-00	RES, ADJ, CARBON 4.7K	
RV702	1-228-577-00	RES, ADJ, CARBON 220	
RV703	1-226-850-00	RES, ADJ, CARBON 4.7K	
RV704	1-228-577-00	RES, ADJ, CARBON 220	
RV705	1-226-850-00	RES, ADJ, CARBON 4.7K	
RV706	1-226-114-00	RES, ADJ, METAL GLAZE 2.2M	
RV707	1-226-114-00	RES, ADJ, METAL GLAZE 2.2M	

Ref.No.	Part No.	Description	Remark
▲:1-608-175-00		H BOARD	*****

▲:1-556-331-00		CONNECTOR ASSY (2.5MM) 3P	
----------------	--	---------------------------	--

SWITCH

S003	1-553-766-00	SWITCH, KEY BOARD	
S004	1-553-766-00	SWITCH, KEY BOARD	

▲:1-606-794-00		N BOARD	*****
----------------	--	---------	-------

▲:1-556-332-00		CONNECTOR (2.5MM) 3P	
▲:4-342-117-00		CASE, SHIELD (MAIN), R	
▲:4-342-118-00		LID, SHIELD CASE, R	

CAPACITOR

C1	1-123-617-00	ELECT 10MF	20%	16V
C2	1-123-617-00	ELECT 10MF	20%	16V
C3	1-123-617-00	ELECT 10MF	20%	16V
C4	1-161-019-00	CERAMIC 0.033MF	10%	25V
C5	1-108-567-00	MYLAR 0.0033MF	5%	50V
C6	1-123-821-00	ELECT 47MF	20%	16V

DIODE

D1	8-719-110-32	DIODE PH302B	
----	--------------	--------------	--

IC

IC1	8-759-113-73	IC UPC1373H	
-----	--------------	-------------	--

COIL

L1	1-404-310-00	COIL 4.7MMH	
----	--------------	-------------	--

MISCELLANEOUS

▲:1-226-733-31		RES ASSY, HIGH-VOLTAGE	
▲:1-451-185-00		DEFLECTION YOKE (SY-94C)	
1-452-032-00		MAGNET, DISK; 10mm ϕ	
1-452-094-00		MAGNET, ROTATABLE DISK; 15mm ϕ	
1-452-146-00		MAGNET, BMC	
1-501-152-00		ROD ANTENNA, TYPE B	

▲:1-509-887-00		CONNECTOR ASSY, 1P	
▲:1-534-817-XX		CORD, POWER	
▲:1-536-683-00		CONNECTOR, COAXIAL ANTENNA	
1-543-171-00		CORE, RING	
▲:1-556-684-00		CABLE, PIN	

▲:1-555-225-00		CONNECTOR ASSY 1P	
▲:1-555-441-00		CONNECTOR ASSY (LARGE) 3P	
▲:1-555-838-00		CONNECTOR ASSY (2.5MM) 6P	
▲:1-556-017-00		CONNECTOR ASSY (2.5MM) 3P	
1-556-054-00		ANT PLUG ASSY	

The components identified by shading and mark ▲ are critical for safety. Replace only with part number specified.

When indicating parts by reference number, please include the board name.

Ref.No.	Part No.	Description	Remark
	•:1-556-408-00	CONNECTOR ASSY (LARGE) 3P	
C901	1-121-705-00	CAP, ELECT (NONPOLAR) 2.2MF	
C902	1-161-491-00	CAP, CERAMIC 470PF	
J901A	1-507-539-11	JACK, JM35A	
J901B	1-507-539-11	JACK, JM35A	
L901	△.1-426-086-31	COIL, DEGAUSSING	
L902	△.1-426-086-31	COIL, DEGAUSSING	
Q901	=>8-729-341-34	TRANSISTOR 2SC1413A	
Q902	8-729-398-09	TRANSISTOR 2SD898B	
R901	1-244-851-00	RES, CARBON 120.00 (1/2W)	
S901	△.1-553-225-00	SWITCH, PUSH	
SP901	1-502-893-00	SPEAKER	
T901	△.1-427-528-00	TRANSFORMER, OUTPUT: SOT	
T502	△.1-439-294-00	TRANSFORMER ASSY, FLYBACK: FBT	
V901	△.8-738-9C2-05	CRT (330MB22)	

ACCESSORIES AND PACKING MATERIALS

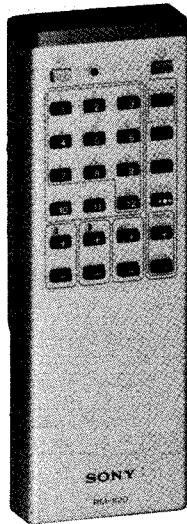
Part No.	Description	Remark
A-1470-588-A	COMMANDER ASSY (RM-620)	
1-504-034-72	MAGNETIC EARPHONE ME-20	
3-701-352-00	BAG, POLYETHYLENE	
4-316-037-00	BAG, POLYETHYLENE	
4-362-036-00	INDIVIDUAL CARTON	
4-362-034-00	CUSHION (UPPER) (ASSY)	
4-362-035-00	CUSHION (LOWER) (ASSY)	
4-493-729-11	MANUAL, INSTRUCTION	

When indicating parts by reference number, please include the board name.

The components identified by shading and mark △ are critical for safety. Replace only with part number specified.

RM-620

SERVICE MANUAL



September, 1982

SPECIFICATIONS

Remote control system	Infrared control
Power requirements	3 V dc 2 IEC Designation R6 batteries (size AA)
Dimensions	Approx. 54 × 18 × 150 mm (w/h/d)
Weight	Approx. 120 g including batteries
Accessory supplied	IEC Designation R6 batteries (2)

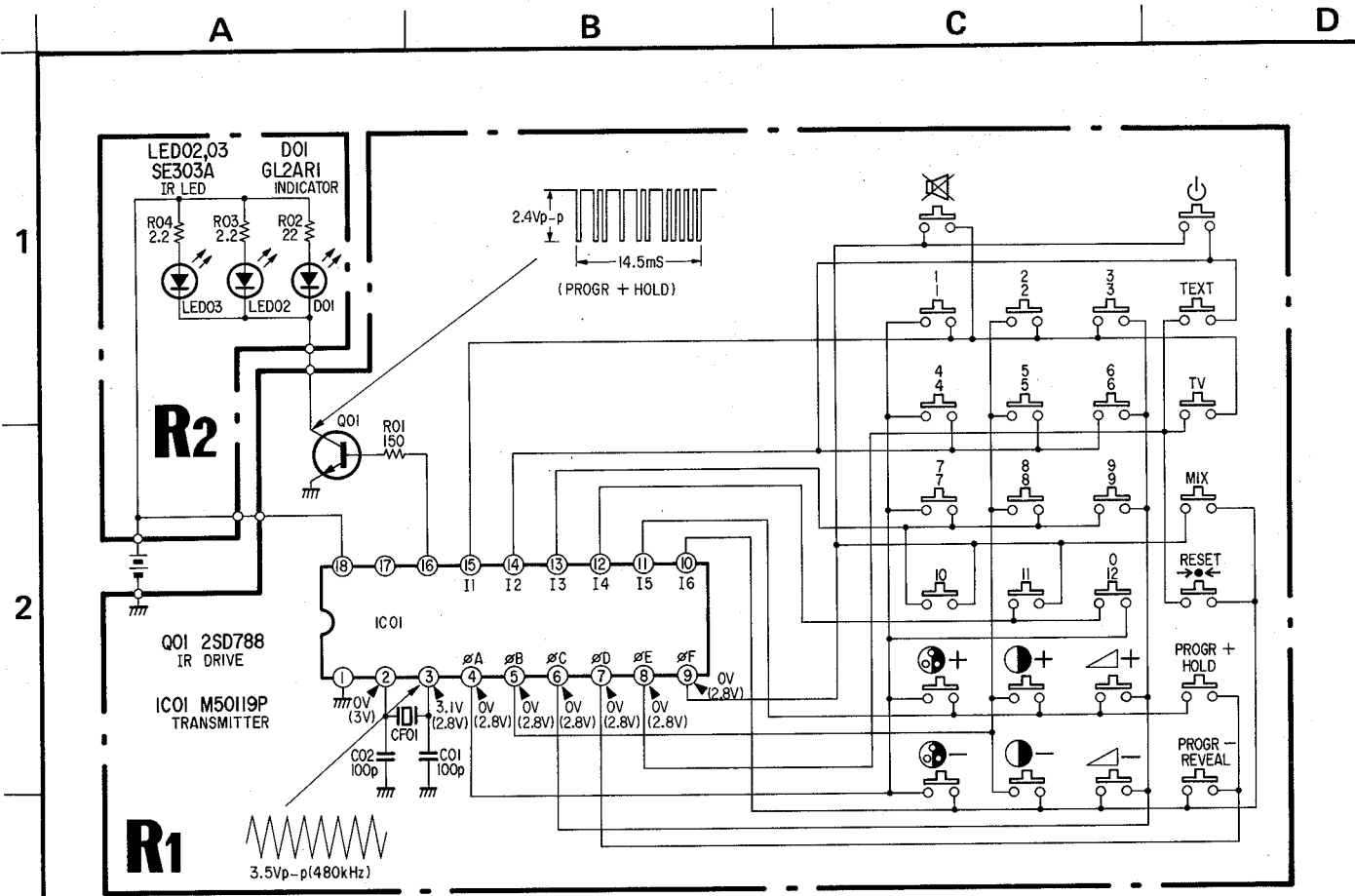
Design and specifications are subject to change without notice.

REMOTE CONTROL UNIT
SONY®

ACC

1. SCHEMATIC DIAGRAM

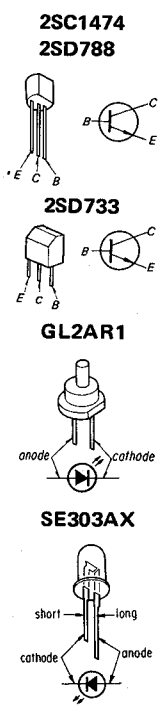
R1 R2



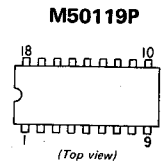
3

MODE	IC PIN	10	11	12	13	14	15	17	Q01B	Q01C
[Power]		3.2	3.2	3.2	3.2	2.8	3.2	0	0	2.6
[Speaker]		3.2	3.2	3.2	3.2	2.8	3.2	0	0	2.6
1		3.2	3.2	3.2	3.2	2.8	3.2	0	0	2.6
2		3.2	3.2	3.2	3.2	2.8	3.2	0	0	2.6
3		3.2	3.2	3.2	3.2	2.8	3.2	0	0	2.6
4		3.2	3.2	3.2	3.2	2.8	3.2	0	0	2.6
5		3.2	3.2	3.2	3.2	2.8	3.2	0	0	2.6
6		3.2	3.2	3.2	3.2	2.8	3.2	0	0	2.6
7		3.2	3.2	3.2	2.8	3.2	3.2	0	0	2.6
8		3.2	3.2	3.2	2.8	3.2	3.2	0	0	2.6
9		3.2	3.2	3.2	2.8	3.2	3.2	0	0	2.6
10		3.2	3.2	3.2	2.8	3.2	3.2	0	0	2.6
11		3.2	3.2	2.8	3.2	3.2	3.2	0	0	2.6
12		3.2	3.2	2.8	3.2	3.2	3.2	0	0	2.6
TEXT		3.2	3.2	3.2	3.2	2.8	3.2	0	0	2.6
TV		3.2	3.2	3.2	3.2	3.2	3.2	0	0	2.6
MIX		2.8	3.2	3.2	3.2	3.2	3.2	0	0	2.6
RESET		2.8	3.2	3.2	3.2	3.2	3.2	0	0	2.6
[Light 1]		3.1	2.7	3.1	3.1	3.1	3.1	0.2	0.1	2.3
[Light 2]		2.7	3.1	3.1	3.1	3.1	3.1	0.2	0.1	2.3
[Light 3]		3.1	2.7	3.1	3.1	3.1	3.1	0.2	0.1	2.3
[Light 4]		2.7	3.1	3.1	3.1	3.1	3.1	0.2	0.1	2.3
[Light 5]		3.1	2.7	3.1	3.1	3.1	3.1	0.2	0.1	2.3
PROGR +		3.1	2.7	3.1	3.1	3.1	3.1	0.2	0.1	2.3
PROGR -		2.7	3.1	3.1	3.1	3.1	3.1	0.2	0.1	2.3

4



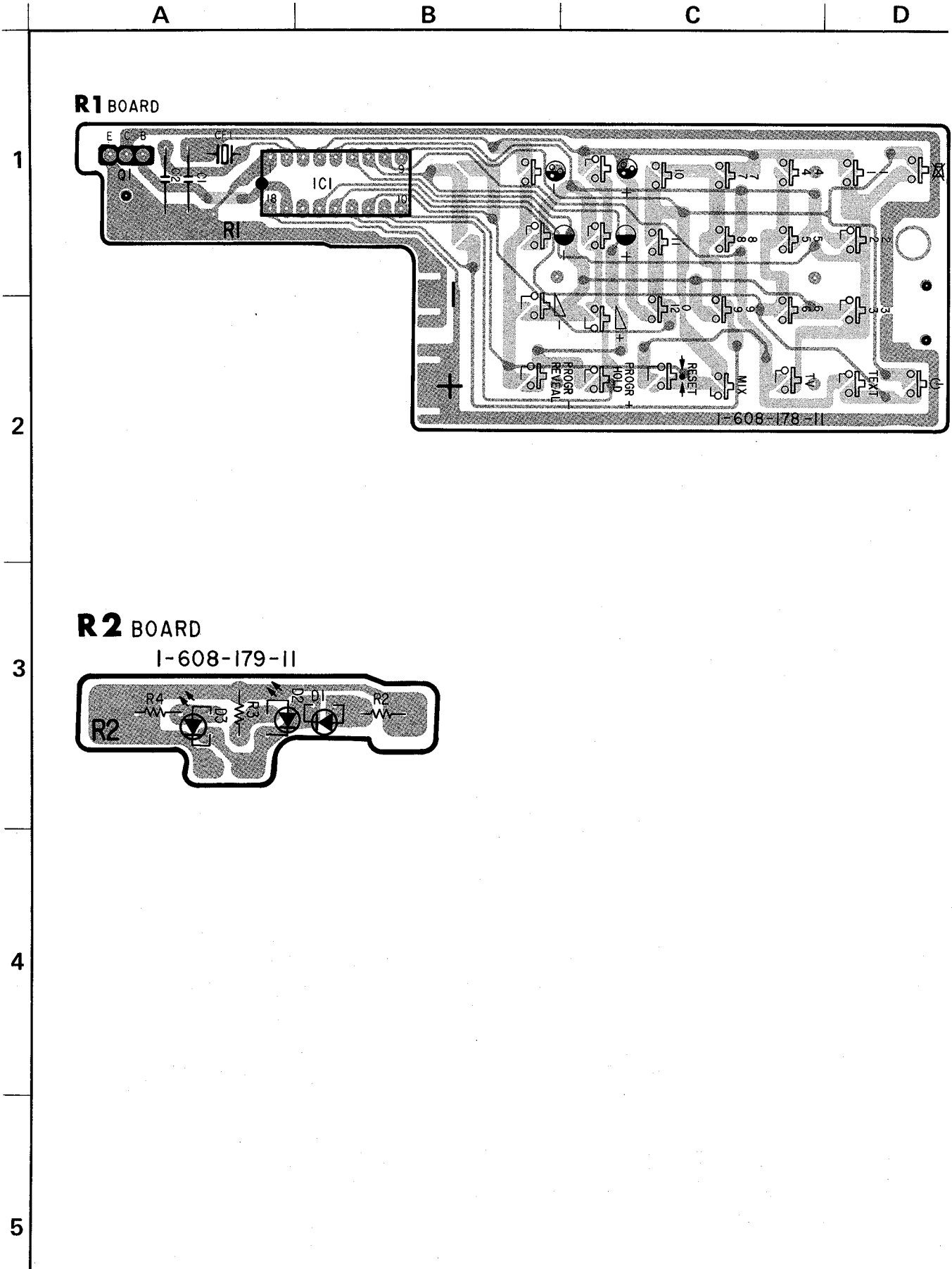
5



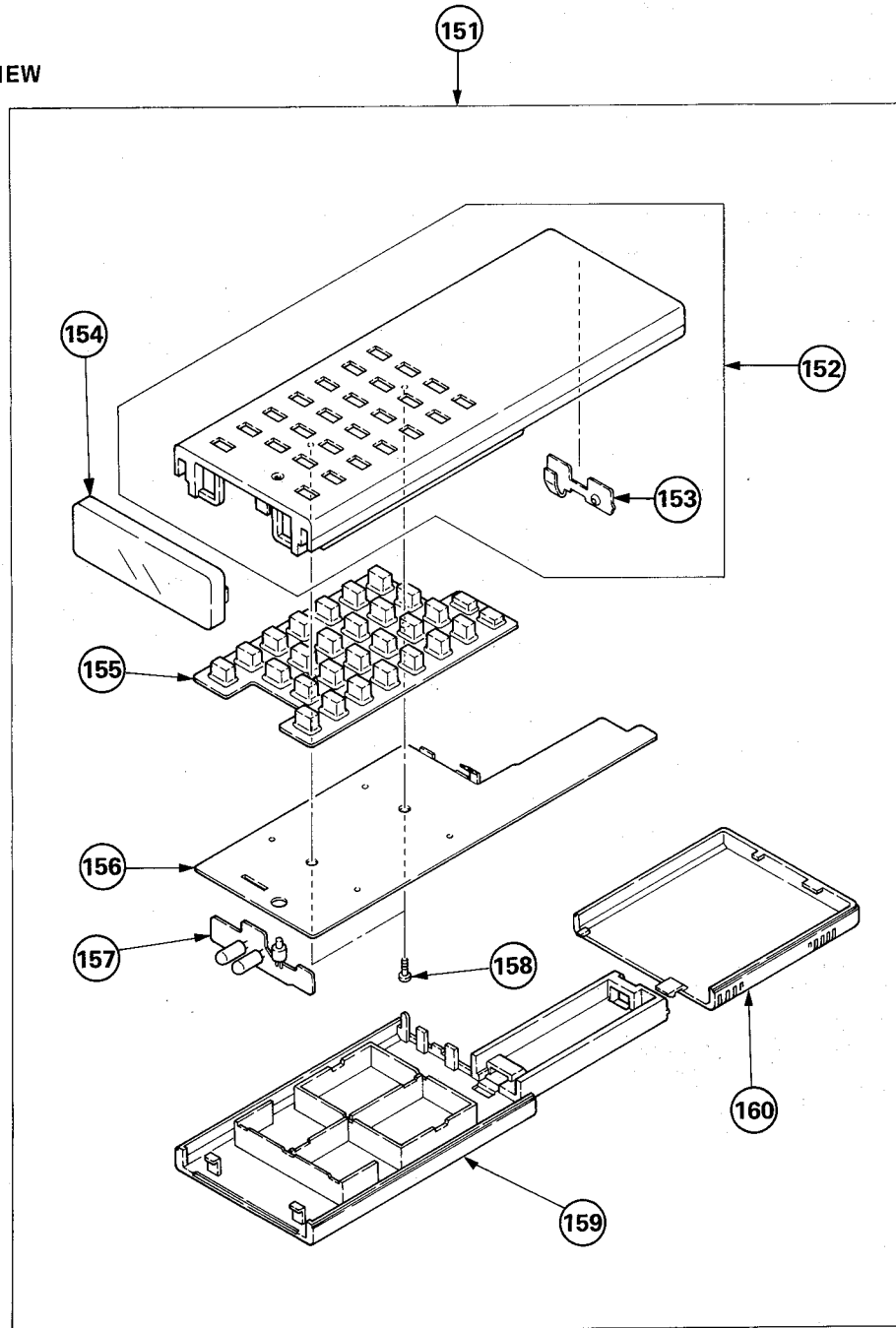
2. PRINTED WIRING BOARD

— Conductor Side —

R1 **R2**



3. EXPLODED VIEW



No.	Part No.	Description	Remark	No.	Part No.	Description	Remark
151	A-1470-588-A	COMMANDER ASSY (SA-275)	152,153,154,155 156,157,158,159	155	4-362-022-00	SHEET, RUBBER	
				156	•:1-608-178-00	R1 BOARD	
				157	•:1-608-179-00	R2 BOARD	
152	X-4362-007-0	CASE (UPPER) ASSY, COMMANDER	153	158	4-356-741-00	SCREW, TAPPING (BIND 2X5)	
153	4-356-344-00	TERMINAL (A), BATTERY		159	4-362-023-00	CASE (LOWER), COMMANDER	
154	4-362-018-00	PANEL, FRONT, COMMANDER		160	4-362-021-00	COVER, BATTERY	

NOTE:

- Items with no part number and no description are not stocked because they are seldom required for routine service.
- The construction parts of an assembled part are indicated with a collation number in the remark column.

- Items marked "•" are not stocked since they are seldom required for routine service. Some delay should be anticipated when ordering these items.

ELECTRICAL PARTS LIST

• All variable and adjustable resistors have characteristic curve B, unless otherwise noted.

• =>: Due to standardization, interchangeable replacements may be substituted for parts specified in the diagrams.

• Items marked "♣" are not stocked since they are seldom required for routine service. Some delay should be anticipated when ordering these items.

CAPACITORS
 • MF : μ F, PF : $\mu\mu$ F

RESISTORS
 • All resistors are in ohms
 • F : nonflammable

COILS
 • MMH : mH, UH : μ H

When indicating parts by reference number, please include the board name.

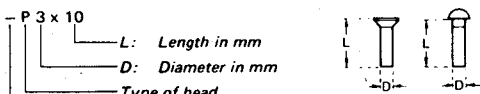
<u>Ref.No.</u>	<u>Part No.</u>	<u>Description</u>	<u>Remark</u>
♣:1-608-178-00		R1 BOARD *****	
♣:4-362-019-00		TERMINAL (C), BATTERY	
♣:4-362-020-00		TERMINAL (B), BATTERY	
<u>CAPACITOR</u>			
C01	1-161-271-00	CERAMIC 100PF 5% 50V	
C02	1-161-271-00	CERAMIC 100PF 5% 50V	
<u>FILTER</u>			
CF01	1-527-476-00	OSCILLATOR, CERAMIC	
<u>IC</u>			
IC01	8-759-600-07	IC M50119P	
<u>TRANSISTOR</u>			
Q01	8-729-378-84	TRANSISTOR 2SD788	

♣:1-608-179-00		R2 BOARD *****	
<u>DIODE</u>			
D01	8-719-900-23	DIODE GL2AR1	
LED02=>	8-719-193-03	DIODE SE303AX	
LED03=>	8-719-193-03	DIODE SE303AX	
<u>RESISTOR</u>			
R02	1-247-791-00	CARBON 22 5% 1/6W	
R03	1-247-767-00	CARBON 2.2 5% 1/6W	
R04	1-247-767-00	CARBON 2.2 5% 1/6W	

<u>ACCESSORIES AND PACKING MATERIALS</u> *****			
<u>Part No.</u>	<u>Description</u>	<u>Remark</u>	
3-701-620-00	BAG, POLYETHYLENE		

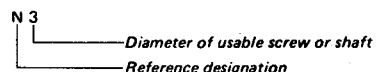
HARDWARE NOMENCLATURE

Screw:



Indicated slotted-head only.
Unless otherwise indicated, it means cross-recessed head (Phillips type).

Nut, Washer, Retaining ring:



Reference Designation	Shape	Description	Remarks
SCREWS			
P		pan-head screw	binding-head (B) screw for replacement
PWH		pan-head screw with washer face	binding-head (B) screw and flat washer for replacement
PS PSP		pan-head screw with spring washer	binding-head (B) screw and spring washer for replacement
PSW PSPW		pan-head screw with spring and flat washers	binding-head (B) screw and spring and flat washers for replacement
R		round-head screw	binding-head (B) screw for replacement
K		flat-countersunk-head screw	
RK		oval-countersunk-head screw	
B		binding-head screw	
T		truss-head screw	binding-head (B) screw for replacement
F		flat-fillister-head screw	
RF		fillister-head screw	
BV		brazier-head screw	

Reference Designation	Shape	Description	Remarks
SELF-TAPPING SCREWS			
TA		self-tapping screw	ex: TA, P 3 x 10
PTP		pan-head self-tapping screw	binding-head self-tapping (TA, B) screw for replacement
PTPWH		pan-head self-tapping screw with washer face	binding-head self-tapping (TA, B) screw and flat washer for replacement
PTTWH		pan-head thread-rolling screw with washer face	binding-head (B) screw and flat washer for replacement
SET SCREWS			
SC		set screw	
SC		hexagon-socket set screw	ex: SC 2.6 x 4, hexagon socket
NUT			
N		nut	
WASHERS			
W		flat washer	
SW		spring washer	
LW		internal-tooth lock washer	ex: LW3, internal
LW		external-tooth lock washer	ex: LW3, external
RETAINING RINGS			
E		retaining ring	
G		grip-type retaining ring	