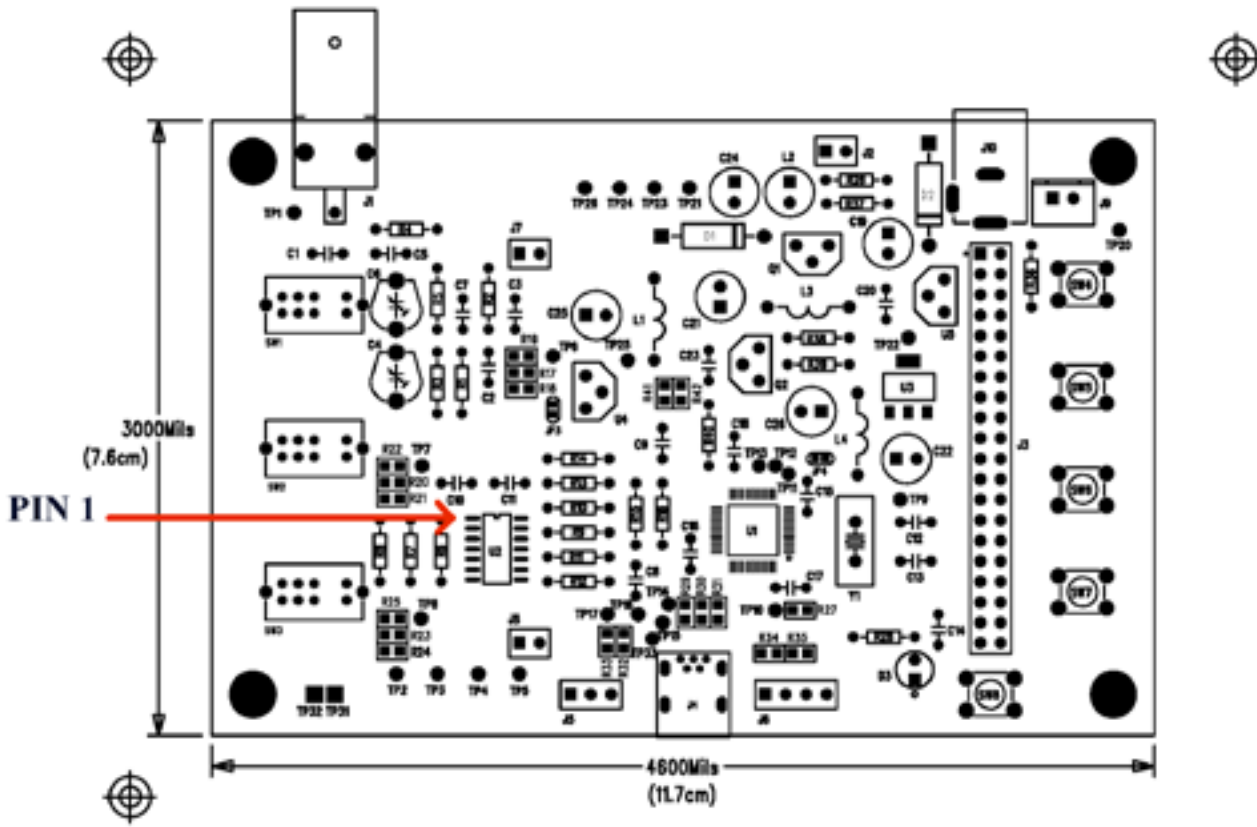
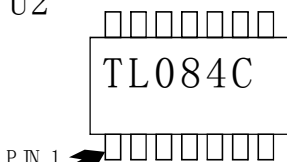


Type	Part Number	Descriptions ! " # \$%	Qty	Loc/Ref & ' / ("%	Remarks
Resistor		10K , 0805	6	R 17, R 20, R 23, R 34, R 35, R 41	
Resistor		3.3K , 0805	3	R 18, R 21, R 24	
Resistor		1.5K , 0805	4	R 19, R 22, R 25, R 31	
Resistor		1K , 0805	4	R 27, R 32, R 33, R 42	
Resistor		22 , 0805	2	R 30, R 29	
IC		STM 32F103C8, QFP -48	1	U1	Pre-soldered
IC		TL084, S0 14	1	U2	
IC		LM 1117-3.3, T O 263	1	U3	



U2



PIN 1
/ 10%

How to identify pin 1 of U2

Place the IC in front of you so that its marking read from left to right. The first pin at lower-left is pin 1.

U2/ 10123

4 IC56 7 89 : ; <= 1 (2) ? @AB C /D0
E F IC1 / 10G