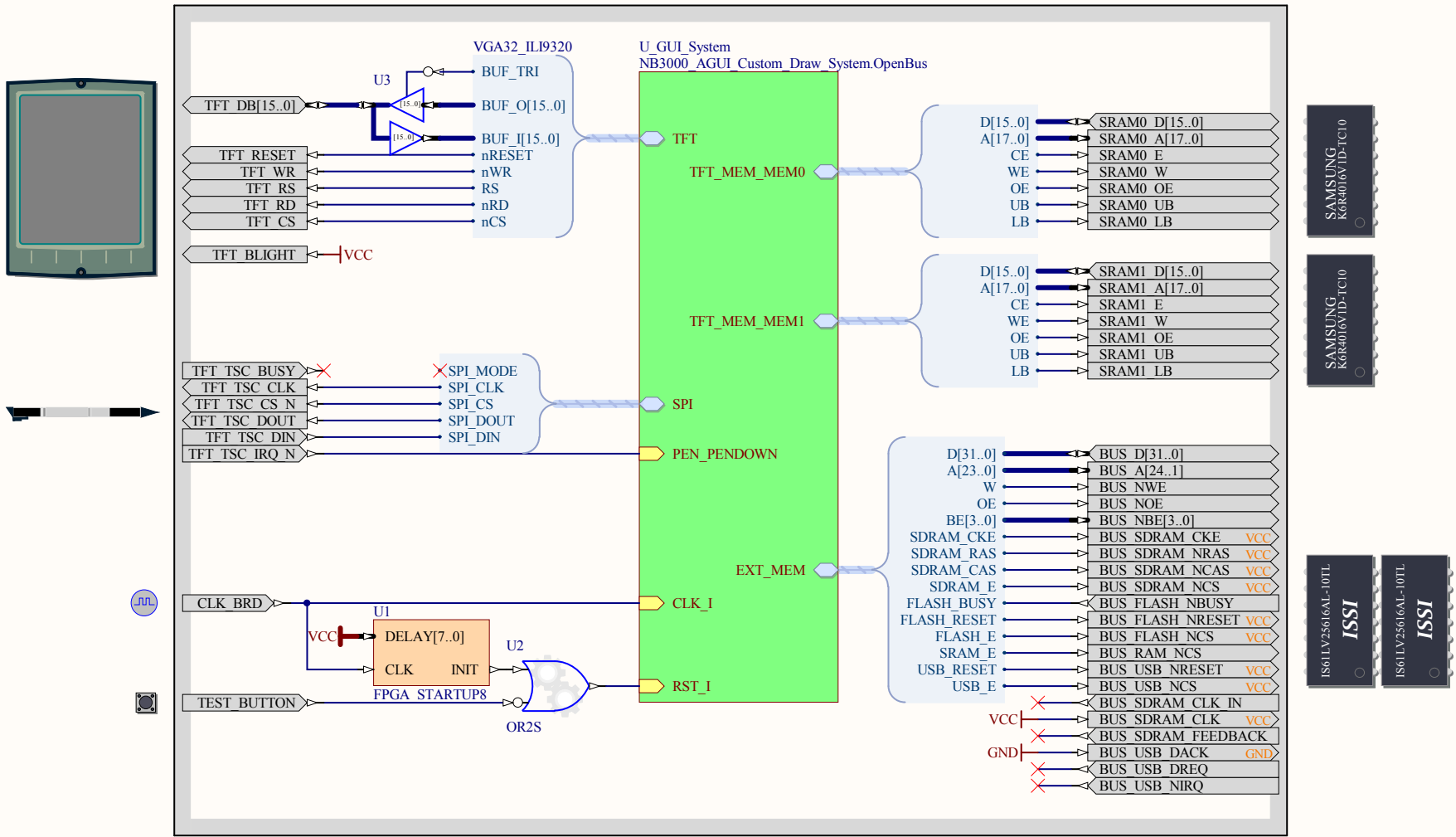
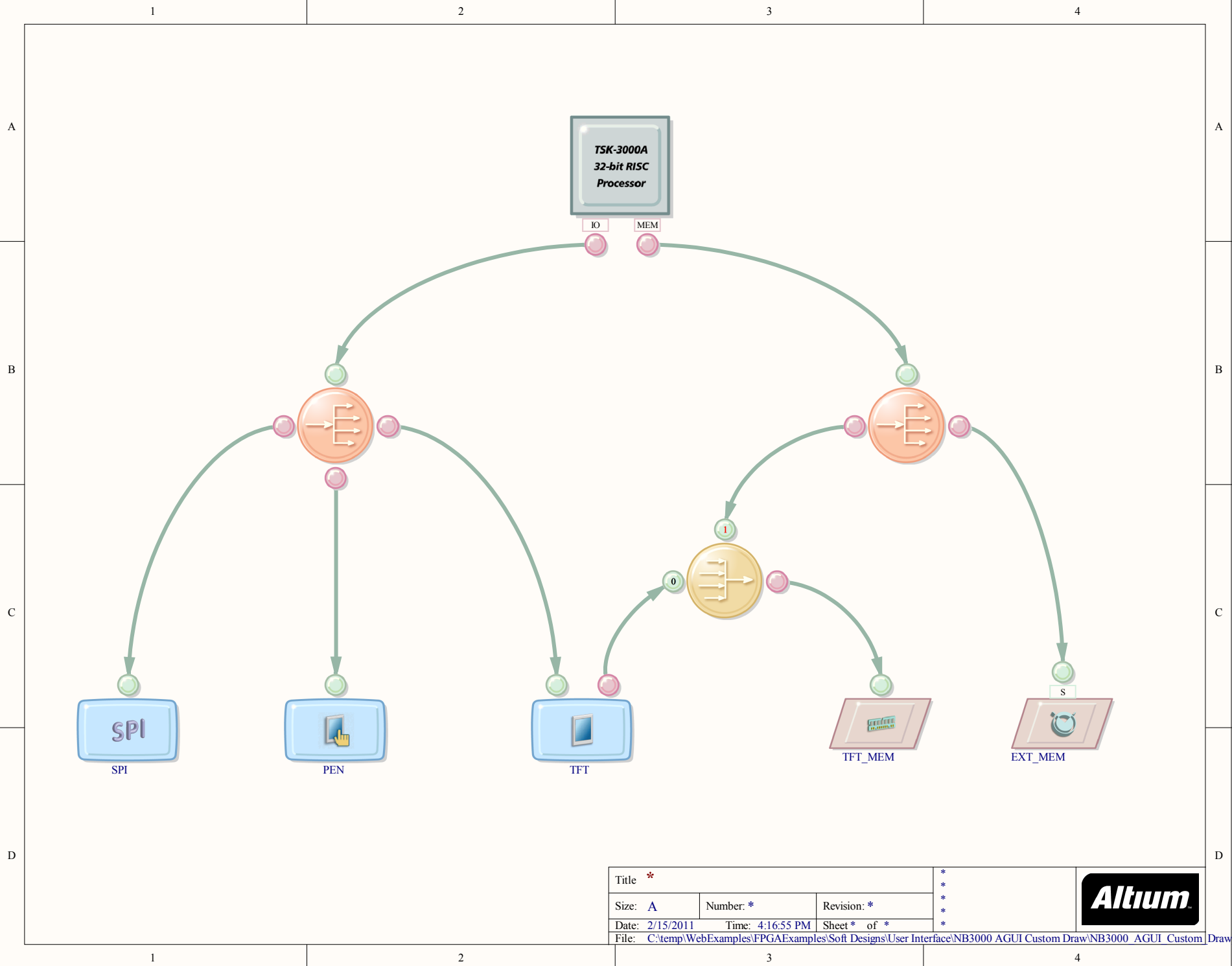


This example demonstrates using of AGUI builder and overriding painting of controls (custom draw) to create cool looking graphic interface.

"Luminosity" and "Hue" sliders on LCD allow to dynamically change appearance of controls.





Title *		
Size: A	Number: *	Revision: *
Date: 2/15/2011	Time: 4:16:55 PM	Sheet * of *
File: C:\temp\WebExamples\FPGAExamples\Soft Designs\User Interface\NB3000 AGUI Custom Draw\NB3000 AGUI Custom Draw_System.OpenBus		

