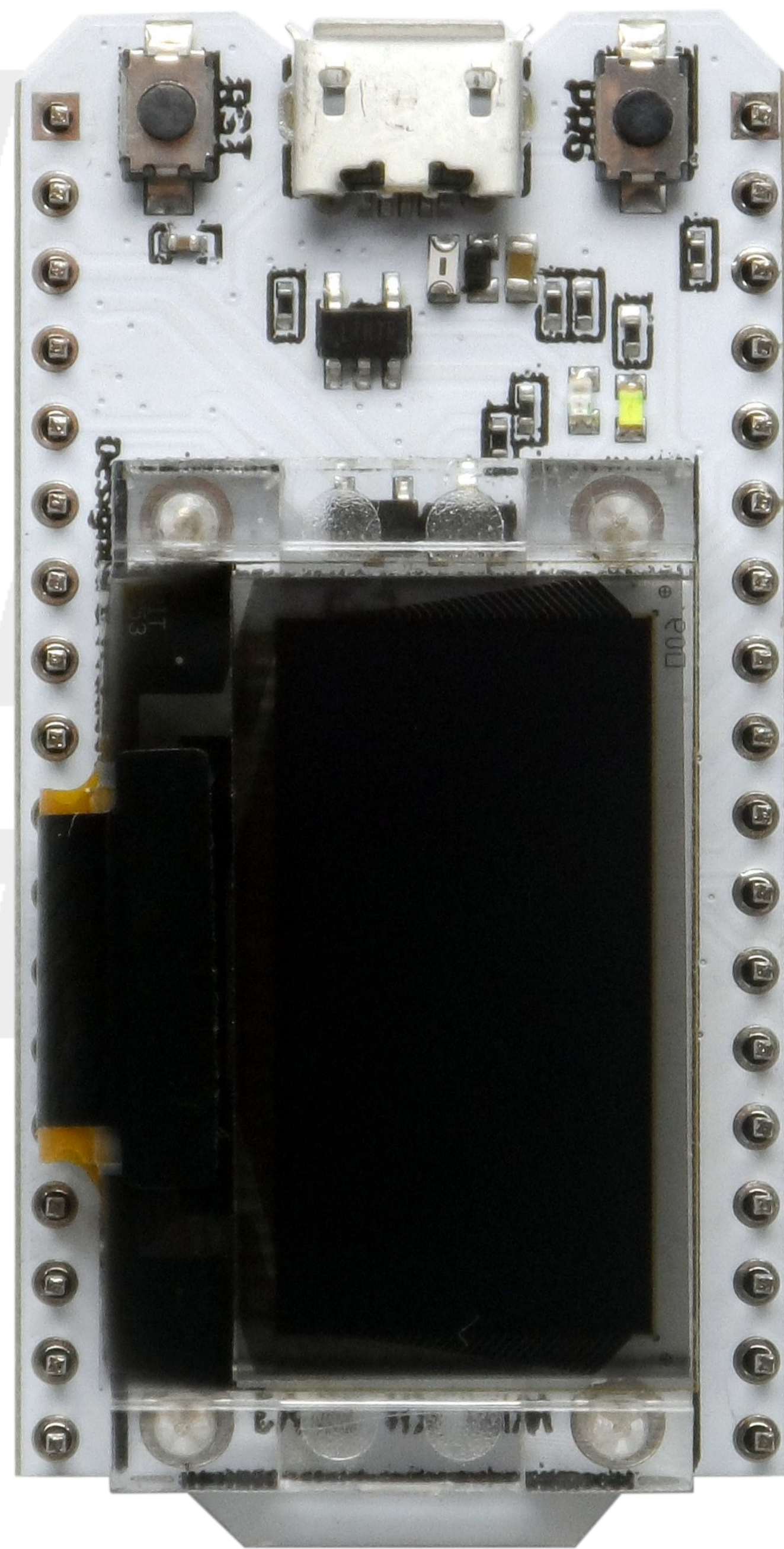


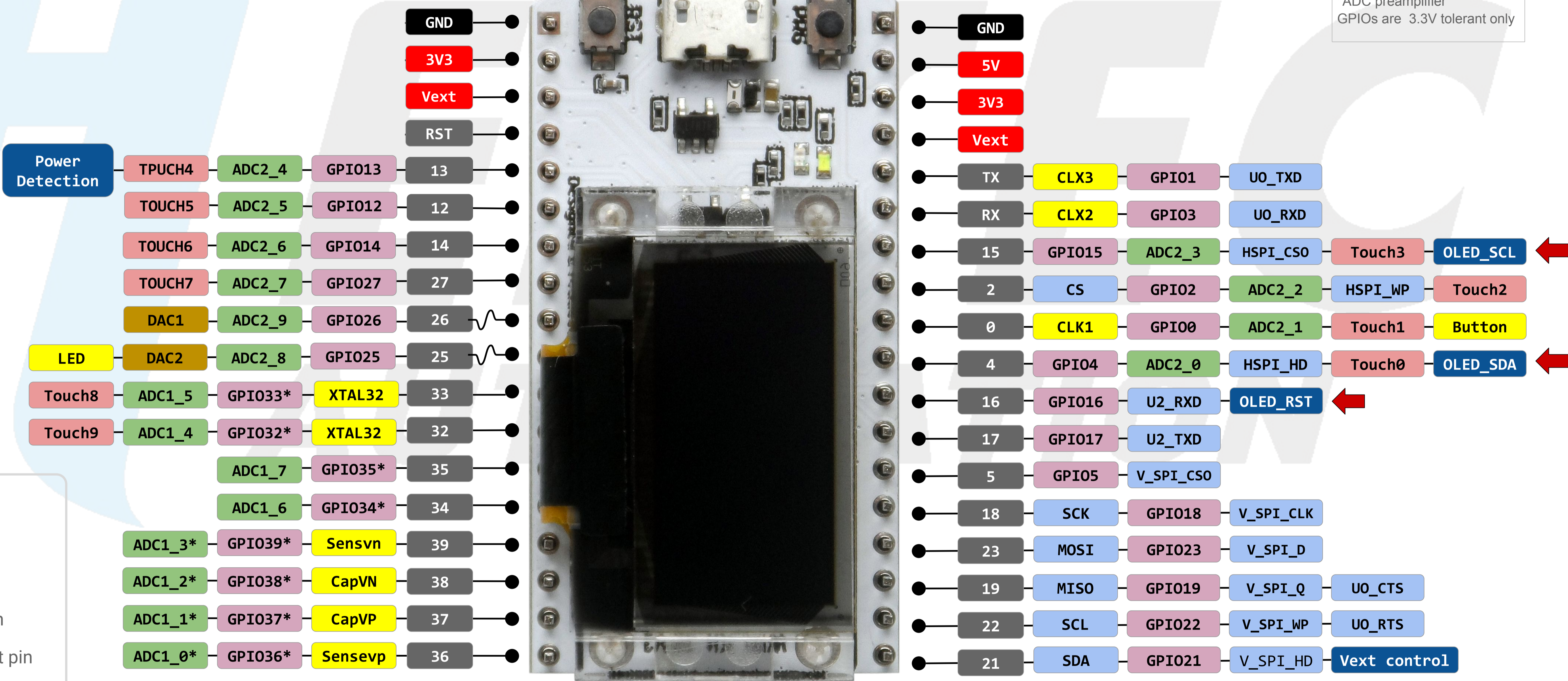
NEW WIFI Kit 32 Pinout Diagram

➔ Pins with this arrow are used by on-board OLED, they must not be used for other purpose unless you know what you are doing!

Notes:
 *GPIO input only
 *ADC preamplifier
 GPIOs are 3.3V tolerant only



- GND
- Power
- Control
- Touch Pin
- GPIO Port pin
- Analog Pin
- DAC
- Serial SPI I2C
- Physical Pin
- On-board hardware Pin



WIFI Kit 32