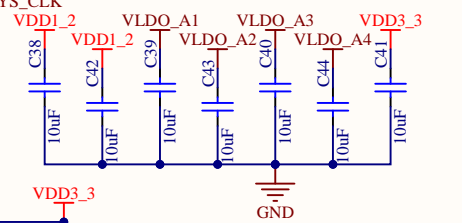
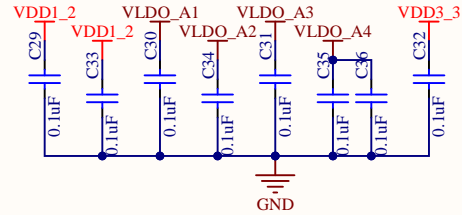
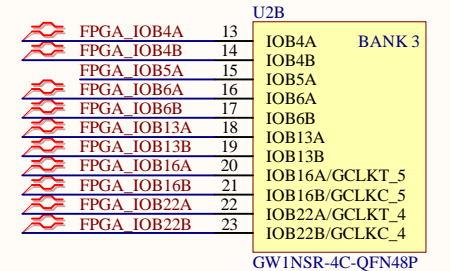
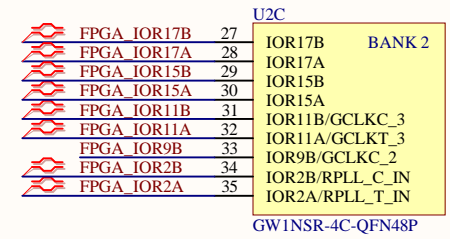
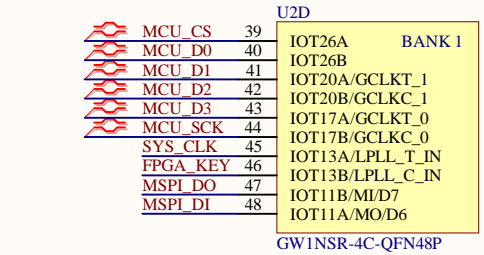
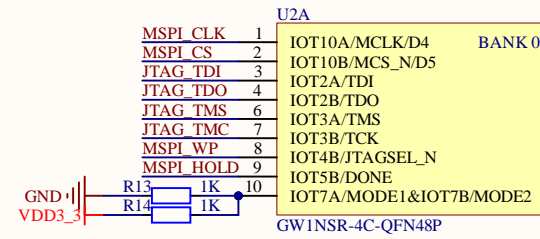
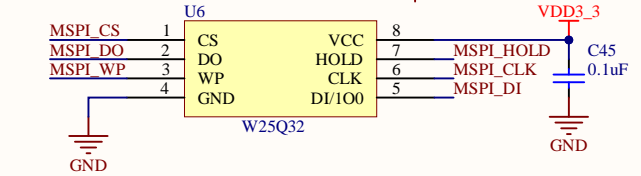
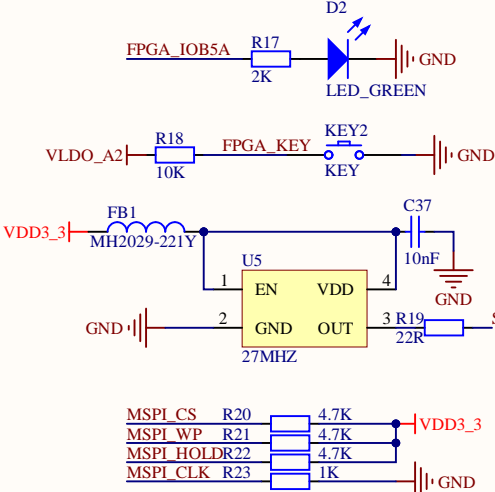
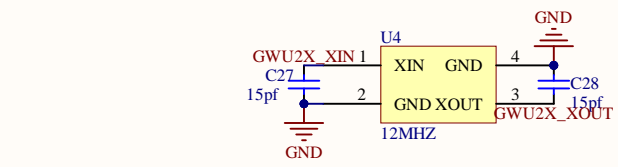
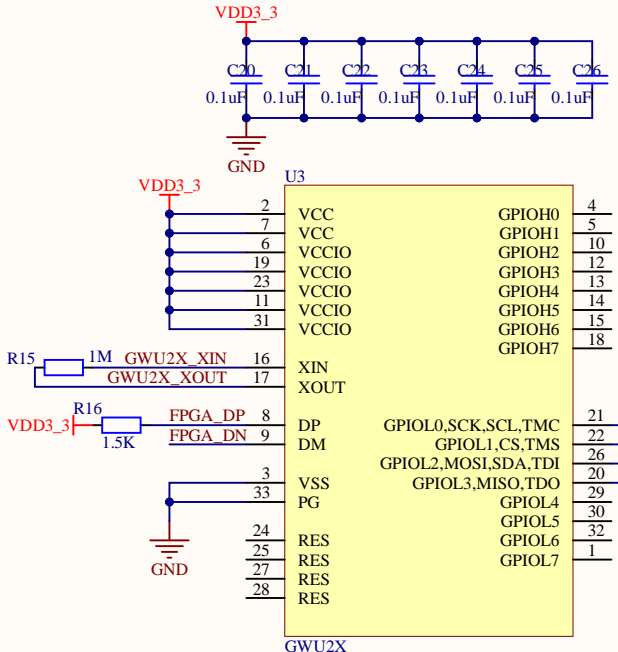
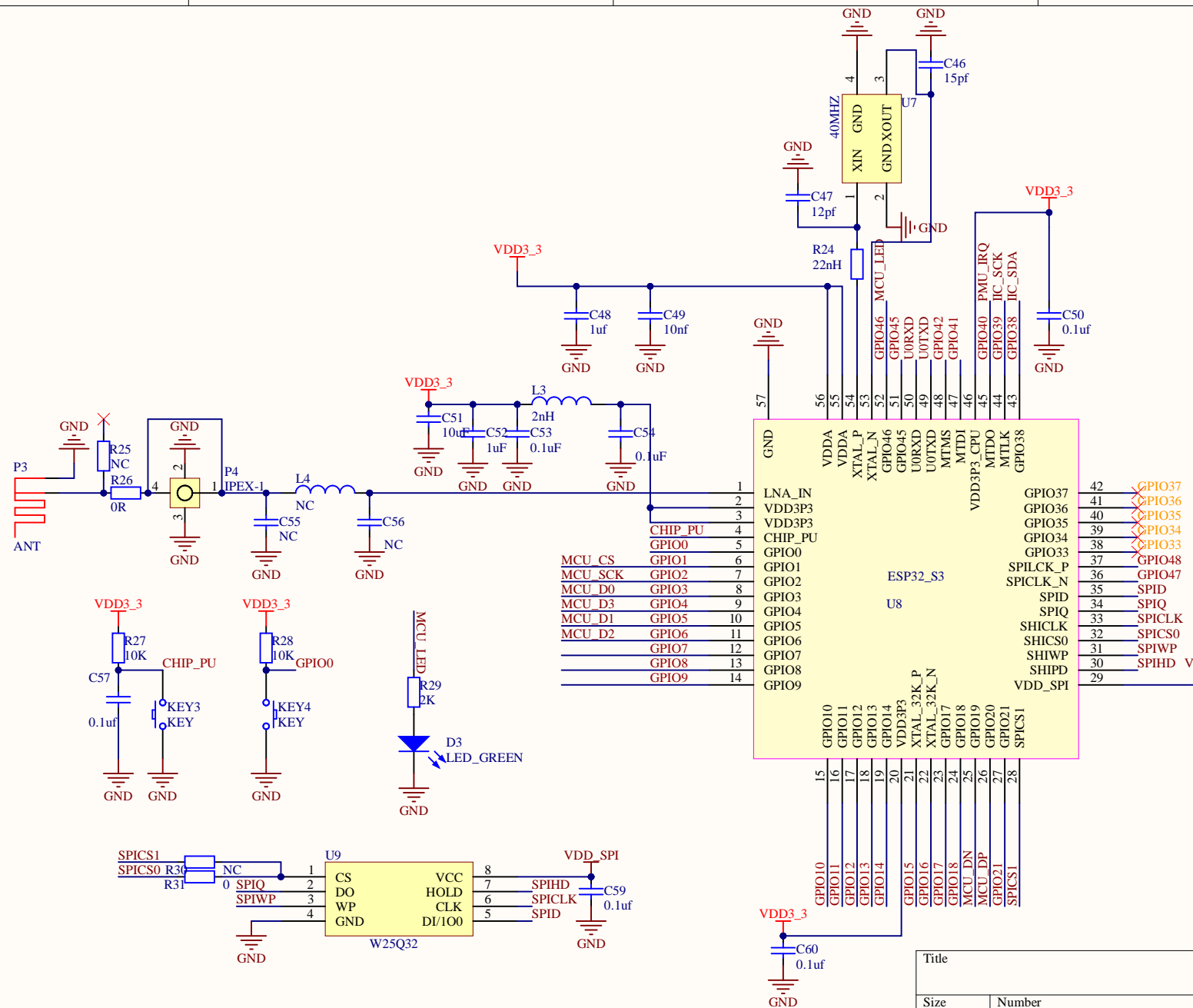


Title		
Size	Number	Revision
A4		
Date:	2/07/2023	Sheet of
File:	D:\File\Micky\FPGA_CORE\PWR.SchDoc\Drawn By:	



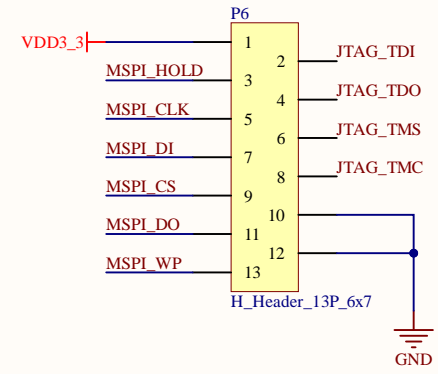
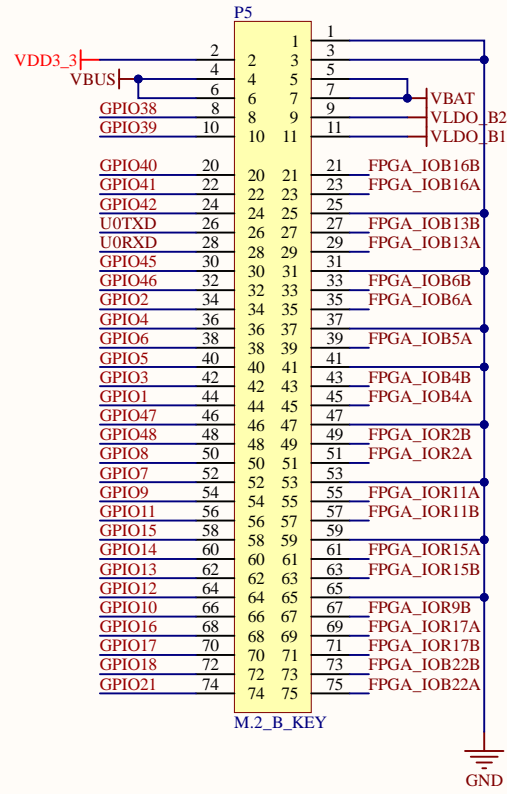
Title		
Size	Number	Revision
A4		
Date:	2/07/2023	Sheet of
File:	D:\File\Micky\FPGA_CORE\FPGA.SchDoc	Drawn By:



- MCU\_CS GPIO0
- MCU\_SCK GPIO1
- MCU\_D0 GPIO2
- MCU\_D3 GPIO3
- MCU\_D1 GPIO4
- MCU\_D2 GPIO5
- GPIO6
- GPIO7
- GPIO8
- GPIO9

- GPIO37
- GPIO36
- GPIO35
- GPIO34
- GPIO33
- GPIO48
- GPIO47
- SPI0
- SPIQ
- SPICLK
- SPICLK
- SPICS0
- SPIWP
- SPIHD

Title		
Size	Number	Revision
A4		
Date:	2/07/2023	Sheet of
File:	D:\File\Micky\FPGA_CORE\MCU_SchDoc	
	Drawn By:	



Title		
Size	Number	Revision
A4		
Date:	2/07/2023	Sheet of
File:	D:\File\COMMON_IF.SchDoc	Drawn By: