

1

2

3

4

A

A

B

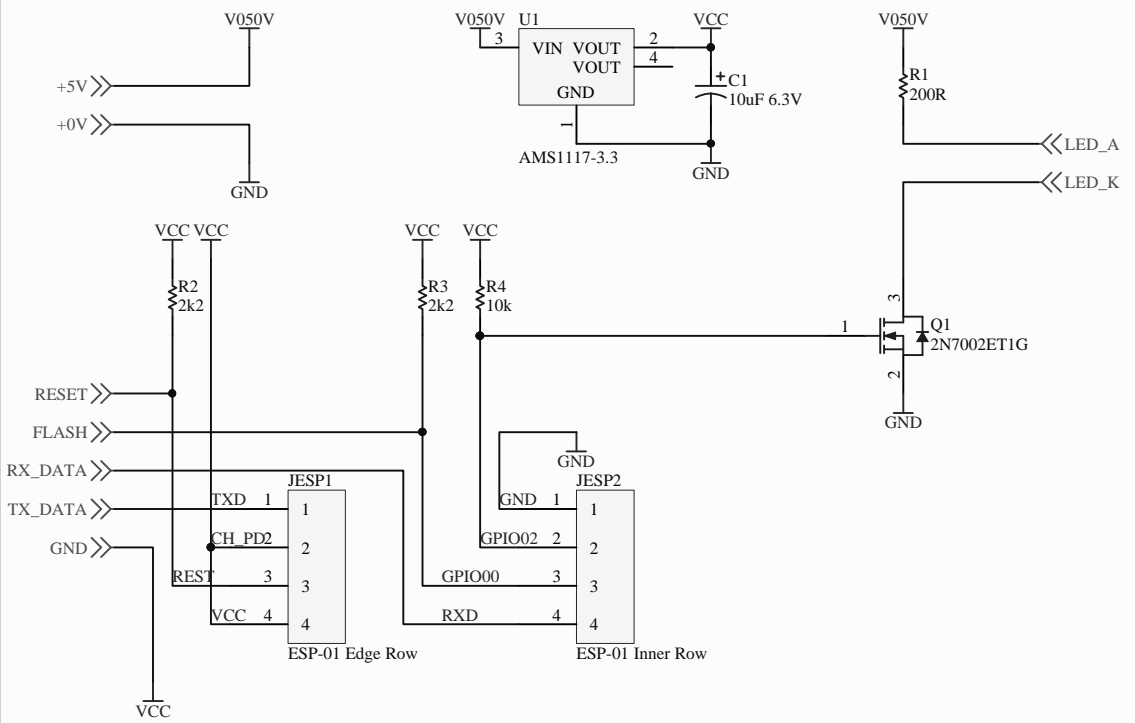
B

C

C

D

D



Title		
Size A4	Number	Revision
Date:	07.08.2015	Sheet of
File:	EtherPlug8266ASysCon.SchDoc	Drawn By:

1

2

3

4