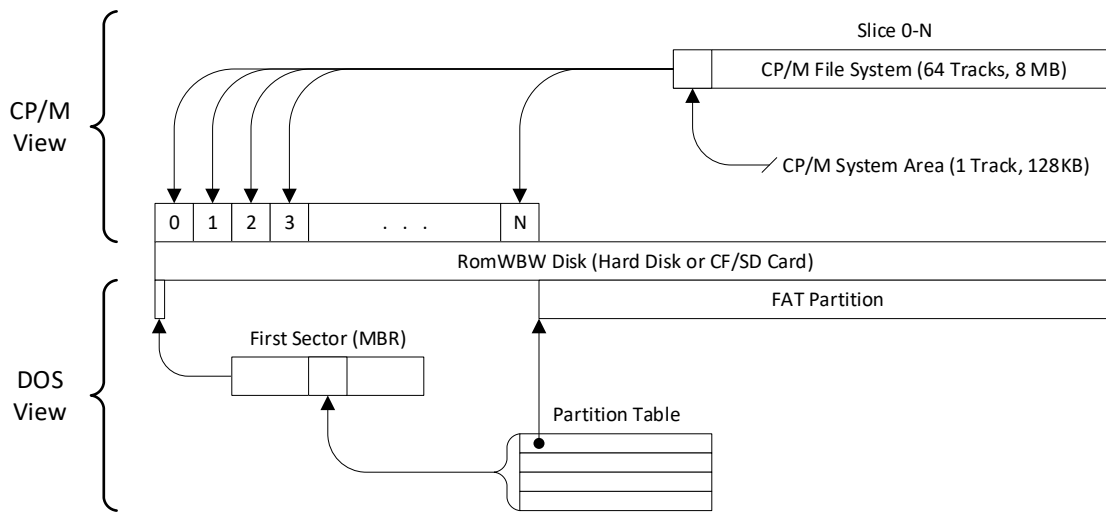


# Hard Disk Anatomy (Hybrid)



- RomWBW supports up to 256 CP/M slices (0-255) which always begin at the start of the hard disk.
- The size of a RomWBW CP/M slice is fixed. The RomWBW Hard Disk Geometry is:  
Sector = 512 Bytes  
Track = 16 Sectors x 16 Heads, 256 Total Sectors per Track, 128KB per Track
- Total Slice Size is 65 Tracks or 8,320KB (128KB System Area + 8MB Filesystem)
- The FAT Partition must start after the last CP/M slice, but does not need to start immediately after it nor does it need to extend to the end of the hard disk.
- The number of CP/M slices is not explicitly recorded anywhere on the hard disk. It is up to the system user to know how many slices are being used.
- Drive letters in CP/M are ASSIGNED to the numbered slices as desired. At boot, RomWBW automatically assigns the first 4 or 8 slices to drive letters starting with first available drive letter (typically C:).
- DOS will assign a single drive letter to the FAT partition when the CF/SD Card is inserted into a Windows system. The drive letter assigned has no relationship to the CP/M drive letters assigned to CP/M slices.
- In general, DOS knows nothing about the CP/M slices and CP/M knows nothing about the FAT partition. However, the FAT application can be run under CP/M to access the FAT partition programmatically.
- The Partition Table is used only by DOS. It is completely ignored by CP/M. The Partition Table does not control the number of CP/M slices in any way.
- The Partition Table resides in a sector that is shared with the System Area of CP/M Slice 0. However, the RomWBW implementation of CP/M takes steps to avoid changing or corrupting the Partition Table area.
- CP/M slices are initialized using the CP/M command CLRDIR. The FAT partition is initialized using the FORMAT command either from DOS using the native FORMAT command or from CP/M using the "FAT FORMAT" command.