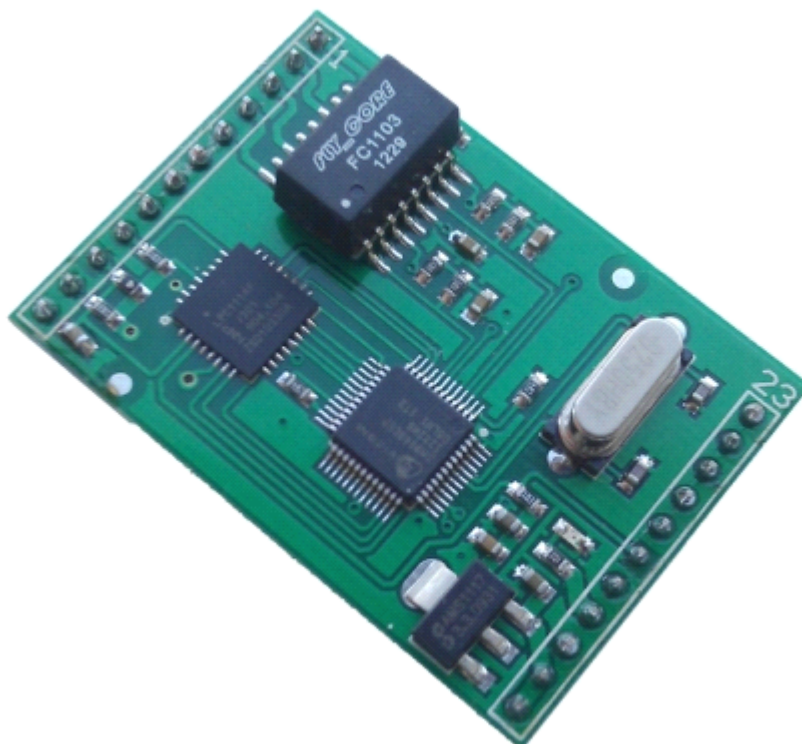


DIP version TTL to RJ45 module (USR-TCP232- D)

Hard version: V1.0

File version: V1.0

2011-11-12



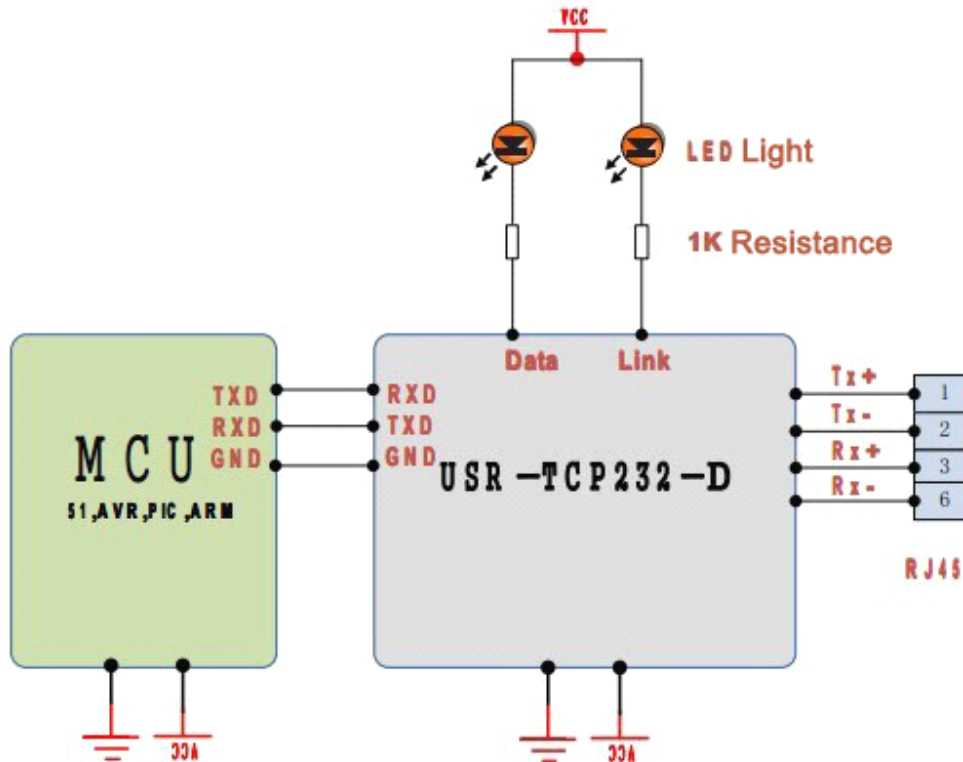
Notice: USR-TCP232-D is similar to USR-TCP232-T, the only difference is USR-TCP232-T RJ45 on board while USR-TCP232-D is with RJ45 pin.

Please reference to the user guide of USR-TCP232-T.

1. USR-TCP232-D Pin definition

ID	NAME	DESCRIPTION	ID	NAME	DESCRIPTION
1	TX+	To RJ45 Pin1	A breach here		
2	TX-	To RJ45 Pin2	23	NC	
3	RX+	To RJ45 Pin3	22	NC	
4	RX-	To RJ45 Pin6	21	NC	
5	Data_LED	Link to yellow Led and through a resistance to VCC	20	NC	
6	TXD	Transmit data	19	NC	
7	RXD	Receive data	18	ISP	For Update
8	NC	Not connected	17	NC	
9	CFG	Config enable port for RS232 Config	16	3.3V	DC3.3V input and 5V use 1 is ok.
10	nRST	Reset pin, 200ms low for reset	15	LINK	Link to green Led and Through a resistance to VCC
11	GND	To GND	14	5V	DC5V input
12	GND	To GND	13	5V	DC5V input, 3.3 and 5V use 1 is ok

2. USR-TCP232-D Block



Note: Isolation transformer has been on this module, so you need not to add Isolation transformer in your RJ45 port.

3. Contact Us

Company: Jinan USR IOT Technology Co., Ltd

Address: 1-523, Huizhan Guoji Cheng, Gaoxin Qu, Jinan, Shandong, China

Tel: 86-531-55507297 86-531-88826739-803

Web: www.tcp232.net