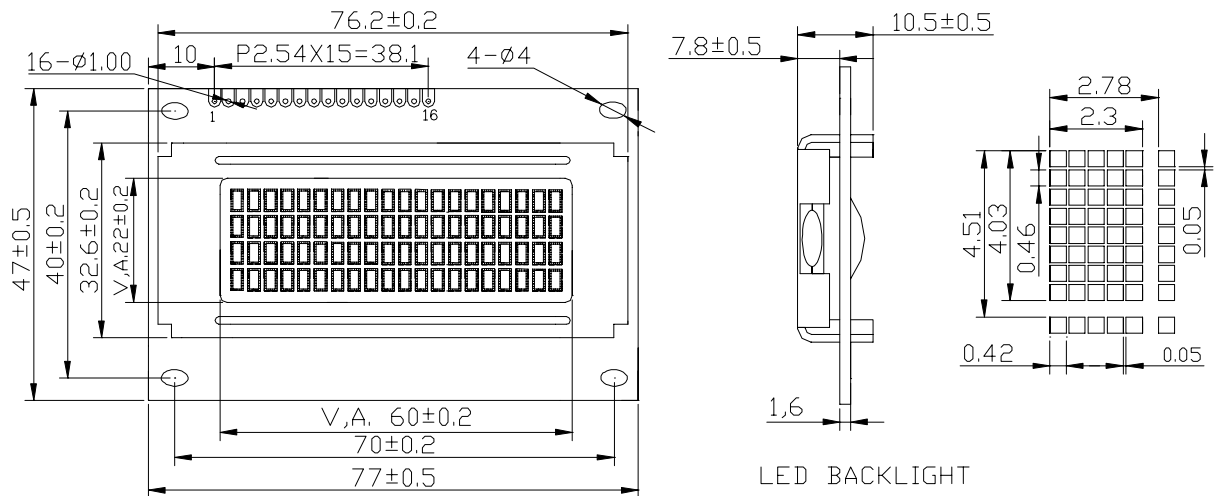
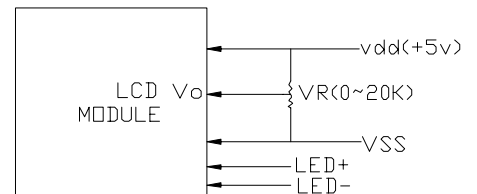
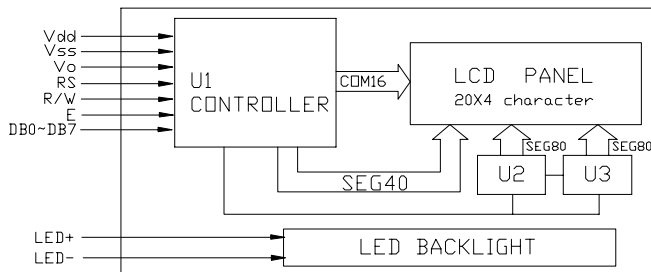


● OUTLINE DIMENSION



● BLOCK DIAGRAM & POWER SUPPLY



● MECHANICAL SPEC.&FEATURES

Item	Dimension(mm)	Features	
Module Size(WxHxT)	77.0x47.0x10.5	LC Fluid	STN(Yellow-green, Gray, Blue), FSTN
Viewing Area(WxH)	60.0x22.0	Polarizer	Reflective, Transflective, Transmissive
Dot Size(WxH)	0.42x0.46	View Angle	6:00 o'clock or 12:00 o'clock
Dot Pitch(WxH)	0.47x0.51	Display Type	Positive or Negative
Character Size (WxH)	2.30x4.03	Backlight	LED(Optional)
Character Pitch(WxH)	2.78x4.51	Operating Temp.	0°C ~ 50°C or -20°C ~ 70°C
		Controller	S6A0069 or Equivalent

● INTERFACE PIN CONNECTIONS

Pin No.	Symbol	Function	Pin No.	Symbol	Function
1	Vss	Ground for logic	6	E	Enable signal
2	Vdd	Power supply for logic	7~14	DB0~DB7	Data bus lines
3	Vo	Power supply for LCD	15	A	BKL+
4	RS	Register selection(H:Data,L:Instruction)	16	K	BKL-
5	R/W	Read/Write selection(H:R,L:W)			

● ELECTRICAL CHARACTERISTICS

Item	Symbol	Test Condition	Min	Typ.	Max.	Unit
Operating Voltage	Vdd	Ta=25°C	...	5.0	...	V
Operating Voltage for LCD	Vlcd	Ta=25°C	...	4.5	...	V
Supply Current	Idd	Ta=25°C, Vdd=5.0V	...	2.0	3.0	mA
Supply Voltage for LED	Vf	Ta=25°C, R=6.8Ω	...	4.2	...	V
Supply Current for LED	If	Ta=25°C, Vf=4.2V	...	240	...	mA